

LPV PORTABLE TREATER

USC's LPV portable treater is the perfect, one-man treating solution! The robust 4.0 automation platform combined with USC's signature configurable style, allows this treater to handle challenging applications with ease and provide a user-friendly treating operation anywhere it's needed.

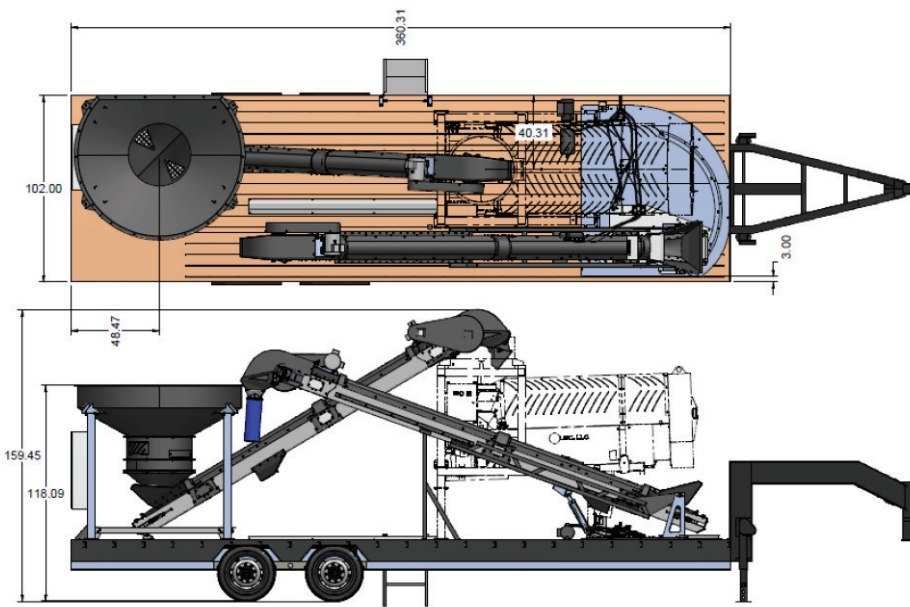
FEATURES & ADVANTAGES

- 42" x 8' tilting drum controls retention time of seed, provides consistent treatment throughout run, limits excessive treatment build-up, and controls drum clean-out time.
- Continuous flow seed treatment.
- Treats seed at speeds ranging from 700-1,800 lbs./min.
- Patented slide-out atomizer to conveniently clean and inspect atomizing chamber.
- Control treater via tablet.
- Gooseneck or bumper hitch options.
- Peristaltic pump for easy calibration, higher accuracy, and less maintenance and chance of clogging.
- Variable speed drum gently tumbles and lifts seed throughout final phase of mixing and coating.
- Electrically-driven rotary atomizer precisely coats seed as it passes through the chamber, spinning at 1,750 RPM.
- Accommodates up to four pump stands.
- Includes hydraulic outlet conveyor with 90° swing to load directly into truck or tender.
- 65-unit seed hopper.
- Cleated belt on TS conveyors alleviate pinch points and gently move seed.
- Four-port static mixer for treatment applications.
- USC's 4.0 automation platform.



LPV PORTABLE TREATER

LPV PORTABLE TREATER DIMENSIONS



WEIGHT	LPV PORTABLE	
	LPV w/ Gooseneck Trailer	9,550 LBS.
LPV w/ Bumper Trailer	9,200 LBS.	

DIMENSIONS	LPV PORTABLE			
	Gooseneck Trailer Length	30' 0"	Minimum Discharge	9' 10"
	Overall Gooseneck Length	39' 1"	Overall Height	13' 5"
	Bumper Trailer Length	30' 0"	Trailer Deck Width	70"
	Overall Bumper Length	37' 11"	Wheel Pattern	8-Bolt
	Width	8' 6"	Ball Size	2 5/16"
	Maximum Discharge	14' 8"	Generator (diesel 40kw)	240 1PH



Includes hydraulic outlet conveyor with 90° swing to load directly into truck or tender.