



# TUBE SERIES 2500 CONVEYOR



## Operators Manual

Document: TD-09-06-1025

Revision: C



## **INTRODUCTION**

Thank you for choosing USC, LLC for your equipment needs. We appreciate your business and will work diligently to ensure that you are satisfied with your choice.

### **OVERVIEW**

The purpose of this manual is to provide you with the basic information needed to operate and maintain the Tube Series 2500 conveyor. It does not hold USC, LLC liable for any accidents or injuries that may occur.

The technical information provided in this document is based on extensive testing under controlled conditions at the USC research and development facility. This information is given without guarantee as the conditions of operation and storage of the equipment are beyond our control. Variables such as temperature, humidity, viscosity of chemical products and changes in seed size or variety may all effect the accuracy of application and seed coverage. Periodically check the equipment calibration while treating and make adjustments as required. This will insure the optimum seed coverage.

### **OPERATOR RESPONSIBILITIES**

As the purchaser/owner/operator of this equipment and control system, you have an obligation to install, operate, and maintain the equipment in a manner that minimizes the exposure of people in your care to any potential hazards inherent in using this equipment. It is critical that the owner of this equipment:

- Has a clear and documented understanding of the process this machine is being used in and of any resulting hazards or special requirements arising from this specific application.
- Allow only properly trained and instructed personnel to install, operate or service this equipment.
- Maintain a comprehensive safety program involving all who work with this machine and other associated process equipment.
- Establish clear areas of staff responsibility (e.g. operation, setup, sanitation, maintenance, and repairs).
- Provide all personnel with necessary safety equipment.
- Periodically inspect the equipment to insure that the doors, covers, guards, and safety devices are in place and functioning, that all safety instructions and warning labels are intact and legible, and that the equipment is in good working order.
- In addition to the operating instructions, observe and enforce the applicable legal and other binding regulations, national and local codes.

## TUBE SERIES 2500 CONVEYOR

As the person with the most to gain or lose from working safely, it is important that you work responsibly and stay alert. By following a few simple rules, you can prevent an accident that could injure or kill you or a co-worker.

- Disconnect, lockout, and tagout electrical and all other energy sources before inspecting, cleaning, servicing, repairing, or any other activity that would expose you to the hazards of electrical shock.
- Do not operate, clean, or service this equipment until you have read and understood the contents of this manual. If you do not understand the information in this manual, bring it to the attention of your supervisor, or call USC at (785) 431-7900 for assistance.
- Any operator who is known or suspected to be under the influence of alcohol or drugs should not be allowed to operate the equipment.
- Understand and follow the safety practices required by your employer and this manual.
- **PAY ATTENTION** to what you and other personnel are doing and how these activities may affect your safety.
- **Failure to follow these instructions may result in serious personal injury or death.**

### RECEIVING YOUR EQUIPMENT

As soon as the equipment is received, it should be carefully inspected to make certain that it has sustained no damage during shipment and that all items listed on the packing list are accounted for. If there is any damage or shortages, the purchaser must immediately notify USC, LLC. Ownership passes to purchaser when the unit leaves the USC, LLC. premises. The purchaser is responsible for unloading and mounting all components of the equipment.

Document the serial number of the machine for future reference. The serial number is located on the right side of the conveyor near the inlet hopper.



*Serial  
Number*

**SERIAL NUMBER:** \_\_\_\_\_



# TABLE OF CONTENTS

<b><u>Section</u></b>	<b><u>Contents</u></b>	<b><u>Page #</u></b>
<b>Section A</b>	<b>Safety Instructions .....</b>	<b>5</b>
<b>Section B</b>	<b>Installation .....</b>	<b>20</b>
	Assembling Undercarriage 20 - 35 Foot Conveyor .....	22
	Assembling Undercarriage 40 and 45 Foot Conveyor .....	24
	Assembling Undercarriage to Base 20 - 30 Foot Conveyor ....	26
	Assembling Undercarriage to Base 35 Foot Conveyor .....	31
	Assembling Undercarriage to Base 40 - 45 Foot Conveyor ....	35
	Manual Winch Installation 20 - 35 Foot Conveyor .....	40
	Manual Winch Installation 40 - 45 Foot Conveyor .....	42
	Electric Winch Installation 20 - 35 Foot Conveyor .....	44
	Electric Winch Installation 40 and 45 Foot Conveyor .....	51
<b>Section C</b>	<b>Mechanical Operation .....</b>	<b>58</b>
	System Overview .....	59
	Controls.....	60
	Pre-Operation Checklist .....	61
	Conveyor Set Up.....	62
	Operation .....	63
	Operational Hints .....	64
	Machine Break-in.....	65
	Structural Envelope .....	66
	Emergency Stopping .....	68
<b>Section D</b>	<b>Transporting .....</b>	<b>69</b>
<b>Section E</b>	<b>Troubleshooting .....</b>	<b>71</b>
	Unplugging .....	72
<b>Section F</b>	<b>Maintenance .....</b>	<b>73</b>
<b>Section G</b>	<b>Belt Tensioning Specification .....</b>	<b>79</b>
<b>Section H</b>	<b>Storage.....</b>	<b>80</b>
<b>Section I</b>	<b>Mechanical Drawings.....</b>	<b>82</b>
<b>Section J</b>	<b>Limited Warranty .....</b>	<b>163</b>

# SAFETY INSTRUCTIONS

## SECTION A

Every year accidents in the work place maim, kill and injure people. Although it may be impossible to prevent all accidents, with the right combination of training, operating practices, safety devices, and operator vigilance, the number of accidents can be significantly reduced. The purpose of this section is to educate equipment users about hazards, unsafe practices, and recommended hazard avoidance techniques.

If any of the required regularly scheduled maintenance is located above the reach of the operator, they should follow the companies normal safe practices of reaching that particular height, utilizing the companies specified equipment and following normal safety precautions.

When working with treatment chemicals, operators should always wear protective gloves, safety glasses, and follow the companies safety precautions in the case of any spillage or operator contamination.

### **SAFETY WORDS AND SYMBOLS**

It is very important that operators and maintenance personnel understand the words and symbols that are used to communicate safety information. Safety words, their meaning and format, have been standardized for U.S. manufacturers and published by the American National Standards Institute (ANSI). The European Community (E.C.) has adopted a different format based on the International Standards Organization (I.S.O.) and applicable machinery directives. Both formats are presented below. Graphic symbols are not standardized, but most manufacturers will use some variation of the ones seen in this manual.

### **MOTS ET SYMBOLES SÉCURITÉ**

Il est très important que les opérateurs et le personnel d'entretien à comprendre les mots et les symboles qui sont utilisés pour communiquer des informations de sécurité. Mots de sécurité, de leur signification et le format, ont été normalisés pour les fabricants américains et publié par l' American National Standards Institute ( ANSI ). La Communauté européenne (CE ) a adopté un format différent sur la base de l'Organisation internationale de normalisation ( ISO ) et des directives de machines applicables. Les deux formats sont présentés ci-dessous. Les symboles graphiques ne sont pas standardisés, mais la plupart des fabricants utilisent une variante de ceux observés dans ce manuel.



Indicates an imminently hazardous situation which, if not avoided, **will** result in death or serious injury.



Indique une situation extrêmement dangereuse qui, si pas évitée, entraînera la mort ou des blessures graves.



Indicates a potentially hazardous situation which, if not avoided, **could** result in death or serious injury.



Indique une situation potentiellement dangereuse qui, si pas évitée, pourrait entraîner la mort ou des blessures graves.



Indicates a potentially hazardous situation which, if not avoided, **may** result in minor or moderate injury and/or property damage.



Indique une situation potentiellement dangereuse qui, si pas évitée, peut entraîner des blessures mineures ou modérées et / ou des dommages.



Provides additional information that the operator needs to be aware of to avoid a potentially hazardous situation.



Fournit des informations supplémentaires que l'opérateur doit être conscient de d'éviter une situation potentiellement dangereuse.



Notice is used to notify people of important installation, operation or maintenance information which is not hazard related.



Avis est utilisé pour informer les gens des informations de maintenance qui ne est pas danger lié importante installation, l'exploitation ou.



**Mandatory Lockout Power Symbol.** Disconnect, lockout and tagout electrical and other energy sources before inspecting, cleaning or performing maintenance on this panel.

**Symbole de puissance verrouillage obligatoire.** Débranchez, de verrouillage et de déconsignation énergie électrique et d'autres sources avant d'inspecter, de nettoyage ou de la maintenance de ce panneau.



**International Safety Alert Symbol.** The exclamation point (!) surrounded by a yellow triangle indicates that an injury hazard exists. However, it does not indicate the seriousness of potential injury. The exclamation point (!) is also used with the DANGER, WARNING and CAUTION symbols so the potential injury is indicated.

**Sécurité Symbole International Alert .** Le point d'exclamation ( ! ) Entouré par un triangle jaune indique que un risque de blessure existe . Cependant, il ne indique pas la gravité des blessures potentielles. Le point d'exclamation ( ! ) Est également utilisé avec les symboles DANGER, AVERTISSEMENT et ATTENTION de sorte que le risque de blessure est indiqué.



**Electrocution Hazard Symbol.** This symbol indicates that an electrocution hazard exists. Serious injury or death could result from contacting high voltage.

**Symbole de danger d'électrocution .** Ce symbole indique qu'un danger d'électrocution existe. Des blessures graves ou la mort pourraient résulter de contact haute tension.



**International Electrocutation Hazard.** This symbol indicates that an electrocutation hazard exists. Serious injury or death could result from contacting high voltage.

**Danger d'électrocution international.** Ce symbole indique qu'un danger d'électrocution existe. Des blessures graves ou la mort pourraient résulter de contact haute tension.



**Mandatory Read Manual Action Symbol.** (I.S.O. format) This symbol instructs personnel to read the Operators Manual before servicing or operating the equipment.

**Obligatoire Lire Symbole d'action Manuel.** ( Format ISO )  
Ce symbole indique le personnel de lire le manuel de l'opérateur avant de réparer ou d'utiliser l'équipement.



**Mandatory Read Manual Action Symbol.** This symbol instructs personnel to read the Operators Manual before servicing or operating the equipment.

**Obligatoire Lire Symbole d'action Manuel .** Ce symbole indique le personnel de lire le manuel de l'opérateur avant de réparer ou d'utiliser l'équipement.

## **LOCKOUT / TAGOUT PROCEDURES**

Lockout/Tagout is the placement of a lock/tag on an energy isolating device in accordance with an established procedure. When taking equipment out of service to perform maintenance or repair work, always follow the lockout / tagout procedures as outlined in ANSI Z344.1 and/or OSHA Standard 1910.147. This standard "requires employers to establish a program and utilize procedures for affixing appropriate lockout devices or tagout devices to energy isolating devices and to otherwise disable machines or equipment to prevent unexpected energizing, start-up, or release of stored energy in order to prevent injury to employees."



## **LES PROCEDURES DE VERROUILLAGE / ETIQUETAGE**

Verrouillage / étiquetage est le placement d'un verrouillage / tag sur un dispositif d'isolement de l'énergie conformément à une procédure établie. Lors de la prise hors service des équipements pour effectuer la maintenance ou de réparation, toujours suivre les procédures de verrouillage / débranchement comme indiqué dans la norme ANSI Z344.1 et / ou la norme OSHA 1910.147. Cette norme "oblige les employeurs à établir un programme et appliquer des procédures pour la fixation des dispositifs de verrouillage appropriés ou des dispositifs déconsignation à l'énergie dispositifs d'isolement et d' autre machines ou équipements désactiver pour éviter énergisant inattendu, start-up, ou la libération de l'énergie stockée dans le but de prévenir les blessures aux employés."

### **HAZARD REVIEW**

#### **RISQUE EXAMEN**



#### **Electrocution Hazard**

Electrocution accidents are most likely to occur during maintenance of the electrical system or when working on or near exposed high voltage wiring. This hazard does not exist when the electrical power has been disconnected, properly locked, and tagged out.

#### **Risque d'électrocution**

Les accidents d'électrocution sont les plus susceptibles de se produire lors de la maintenance du système électrique ou pour travailler sur ou à proximité du câblage haute tension exposé. Ne existe pas ce danger lorsque l'alimentation électrique a été déconnecté, bien verrouillé et étiquetés sur.

#### **Automatic Start Hazard**



This equipment may be controlled by an automated system and may start without warning. Failure to properly disconnect, lockout, and tagout all energy sources of remotely controlled equipment creates a very hazardous situation and could cause injury or even death. PLEASE STAY CLEAR AND BE ALERT.

#### **Démarrer danger automatique**



Cet équipement peut être contrôlé par un système automatisé et peut démarrer sans avertissement. Sources de l'équipement contrôlé à distance non débranché correctement, lock-out, et tous déconsignation énergie crée une situation très dangereuse et pourrait causer des blessures ou même la mort. Se IL VOUS PLAÎT rester à l'écart et d'être vigilant.

**YOU** are responsible for the **SAFE** operation and maintenance of your USC, LLC equipment . **YOU** must ensure that you and anyone else who is going to operate, maintain or work around the equipment be familiar with the operating and maintenance procedures and related **SAFETY** information contained in this manual. This manual will take you step-by-step through your working day and alert you to good safety practices that should be adhered to while operating the equipment

Remember, **YOU** are the key to safety. Good safety practices not only protect you, but also the people around you. Make these practices a working part of your safety program. Be certain that **EVERYONE** operating this equipment is familiar with the recommended operating and maintenance procedures and follows all the safety precautions. Most accidents can be prevented. Do not risk injury or death by ignoring good safety practices.

- Equipment owners must give operating instructions to operators or employees before allowing them to operate the machine, and at least annually thereafter per OSHA (Occupational Safety and Health Administration) regulation 1928.57.
- The most important safety device on this equipment is a **SAFE** operator. It is the operator's responsibility to read and understand **ALL** Safety and Operating instructions in the manual and to follow them. All accidents can be avoided.
- A person who has not read and understood all operating and safety instructions is not qualified to operate the machine. An untrained operator exposes himself and bystanders to possible serious injury or death.
- Do not modify the equipment in any way. Unauthorized modification may impair the function and/or safety and could affect the life of the equipment.
- Think SAFETY! Work SAFELY!

### GENERAL SAFETY

1. Read and understand the operator's manual and all safety labels before operating, maintaining, adjusting or unplugging the equipment .
2. Only trained persons shall operate the equipment . An untrained operator is not qualified to operate the machine.
3. Have a first-aid kit available for use should the need arise, and know how to use it.



## TUBE SERIES 2500 CONVEYOR

4. Provide a fire extinguisher for use in case of an accident. Store in a highly visible place.
5. Do not allow children, spectators or bystanders within hazard area of machine.
6. Wear appropriate protective gear. This includes but is not limited to:
  - A hard hat
  - Protective shoes with slip resistant soles
  - Protective goggles
  - Heavy gloves
  - Hearing protection
  - Respirator or filter mask
7. Place all controls in neutral or off, stop motor, and wait for all moving parts to stop. Then disable power source before servicing, adjusting, repairing, or unplugging.
8. Review safety related items annually with all personnel who will be operating or maintaining the Semi - Automated Pump Stand.

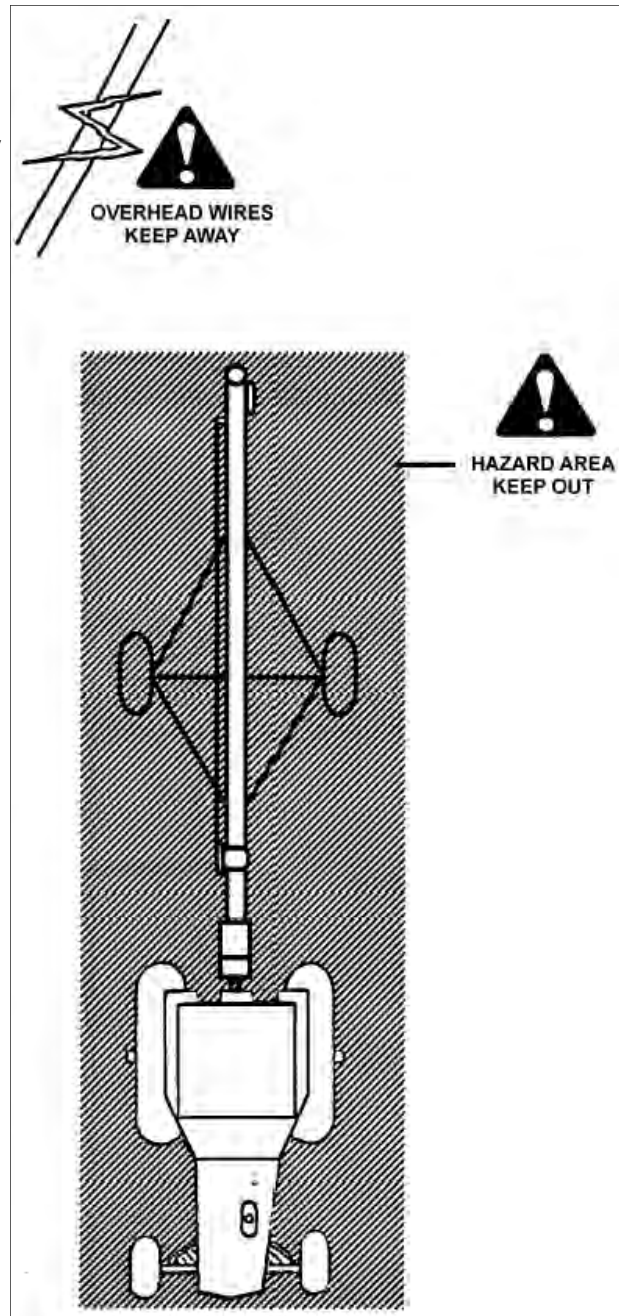


### **OPERATING SAFETY:**

1. Read and understand the Operator's Manual and all safety signs before using.
2. Disconnect and disable electrical supply completely and wait for all moving parts to stop before servicing, adjusting, repairing or unplugging.
3. Clear the area of bystanders, especially children, before starting.
4. Be familiar with the machine hazard area. If anyone enters hazard area, shut down machine immediately. Clear the area before restarting.
5. Keep hands, feet, hair and clothing away from all moving and/or rotating parts.
6. Stay away from overhead obstructions and power lines during operation and transporting. Electrocutation can occur without direct contact.
7. Do not operate machine when any guards are removed.
8. Inspect welds and repair if needed.

### TRANSPORT SAFETY

1. Read and understand ALL the information in the Operator's Manuals regarding procedures and SAFETY when moving or transporting the Conveyor.
2. Check with local authorities regarding Conveyor transport on public roads. Obey all applicable laws and regulations.
3. Always travel at a safe speed. Use caution when making corners or meeting traffic.
4. Make sure the SMV (Slow Moving Vehicle) emblem and all the lights and reflectors that are required by the local highway and transport authorities are in place, are clean and can be seen clearly by all overtaking and oncoming traffic.
5. Do not allow riders on the Conveyor or the towing vehicle when transporting.
6. Attach Conveyor to towing vehicle with a pin and retainer.
7. Lower Conveyor to its lowest position for transporting. Keep lift point at drawbar height.
8. Keep to the right and yield the right-of-way to allow faster traffic to pass. Drive on the road shoulder, if permitted by law.
9. Do not exceed 25 m.p.h. (40 km/h). Reduce speed on rough roads and surfaces.
10. Stay away from overhead obstructions and power lines when transporting. Electrocutation can occur without direct contact.
11. Always use hazard warning flashers on tractor when transporting unless prohibited by law.



### **PLACEMENT SAFETY**

1. Move only with the appropriate equipment
2. Stay away from overhead power lines when moving the Conveyor. Electrocution can occur without direct contact.
3. Be familiar with machine hazard area. If anyone enters hazard areas, shut down machine immediately. Clear the area before restarting.
4. Operate the Conveyor on level ground free of debris. Anchor the Conveyor to prevent tipping or upending.



Before placement of the Conveyor, be sure that ground is reasonably level. The Conveyor may topple or work improperly if the ground is too uneven, damaging the equipment and/or causing personal injury.



Avant le placement du Convoyeur, être sûr que sol est relativement plat. Le convoyeur peut renverser ou un mauvais fonctionnement si le sol est trop inégale, endommager l'équipement et / ou causer des blessures.



When releasing the Conveyor from the towing vehicle, test the intake end for downward weight. Do not raise the intake end above drawbar height. When the intake end is elevated too high with machine in raise position, the balance of weight quickly transfers to the discharge end.



En relâchant le convoyeur par rapport au véhicule de remorquage, de tester l'extrémité d'entrée pour le poids vers le bas. Ne pas lever l'extrémité d'entrée ci-dessus hauteur du timon. Lorsque l'extrémité d'admission est élevée trop haut avec la machine en position de relance, l'équilibre de poids transfère rapidement à l'extrémité de décharge.

### **TIRE SAFETY**

1. Failure to follow proper procedures when mounting a tire on a wheel or rim can produce an explosion which may result in serious injury or death.
2. Do not attempt to mount a tire unless you have the proper equipment and experience to do the job.
3. Have a qualified tire dealer or repair service perform required tire maintenance.
4. When replacing worn tires, make sure they meet the original tire specifications. Never undersize.

### **MAINTENANCE SAFETY**

1. Review the Operator's Manual and all safety items before working with, maintaining or operating the Conveyor.
2. Place all controls in neutral or off, stop motors, disable power source, and wait for all moving parts to stop before servicing, adjusting, repairing or unplugging.
3. Follow good shop practices:  
Keep service area clean and dry.  
Be sure electrical outlets and tools are properly grounded.  
Use adequate light for the job at hand.
4. Keep hands, feet, hair and clothing away from all moving and/or rotating parts.
5. Clear the area of bystanders, especially children, when carrying out any maintenance and repairs or making any adjustments.
6. Before resuming work, install and secure all guards when maintenance work is completed.
7. Keep safety signs clean. Replace any sign that is damaged or not clearly visible.



## **SAFETY LABELS**

1. Keep safety labels clean and legible at all times.
2. Replace safety labels that are missing or have become illegible.
3. Replaced parts that displayed a safety label should also display the current label.
4. Replacement safety labels are available. Contact USC at (785) 431-7900 .

### **How to Install Safety Labels:**

- Be sure that the installation area is clean and dry.
- Be sure temperature is above 50°F (10°C).
- Decide on the exact position before you remove the backing paper.
- Remove the smallest portion of the split backing paper.
- Align the sign over the specified area and carefully press the small portion with the exposed sticky backing in place.
- Slowly peel back the remaining paper and carefully smooth the remaining portion of the sign in place.
- Small air pockets can be pierced with a pin and smoothed out using the piece of sign backing paper.



Located on the USC equipment you will find safety labels. Always be sure to read and follow all directions on the labels.



Situé sur l'équipement USC vous trouverez des étiquettes de sécurité. Veuillez à toujours lire et suivre toutes les instructions sur les étiquettes.



Guards provided with USC equipment are to remain in place during operation.



Gardes fournis avec des équipements USC doivent rester en place pendant le fonctionnement.

TUBE SERIES 2500 CONVEYOR

Think **SAFETY!** Work **SAFELY!**

REMEMBER—If Safety Labels have been damaged, removed, become illegible, or parts replaced without safety labels, new labels must be applied. New safety labels are available from USC at (785) 431-7900.



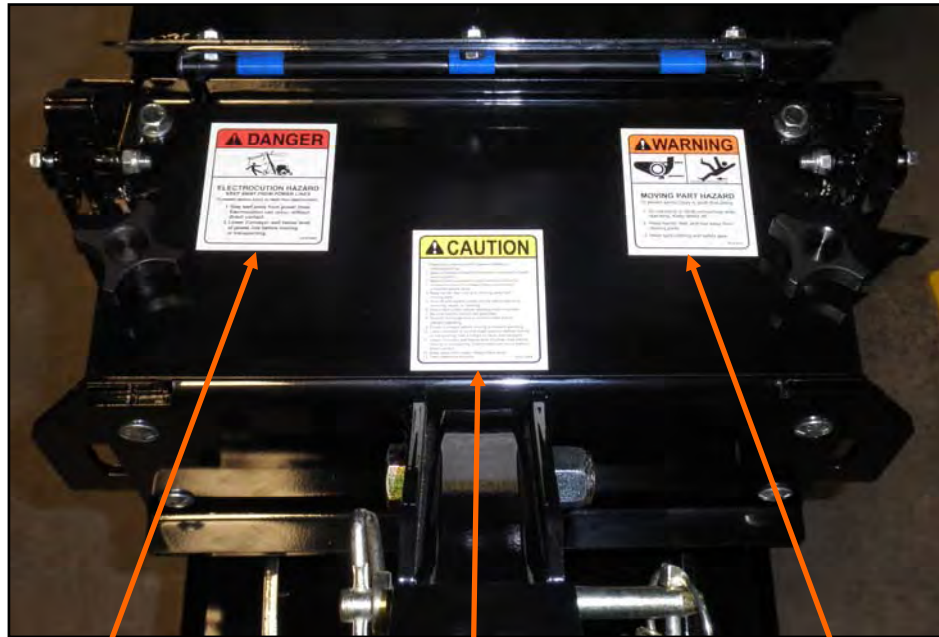
Part # 09-02-0008



Part # 09-02-0009



TUBE SERIES 2500 CONVEYOR



Part # 09-02-0007



Part # 09-02-0006



Part # 09-02-0011

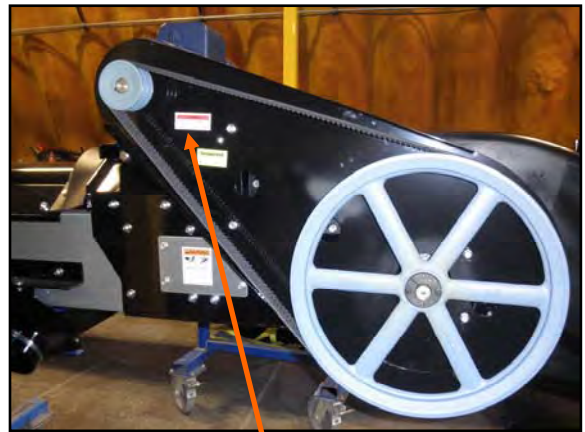
TUBE SERIES 2500 CONVEYOR



Part # 09-02-0011



Part # 09-02-0010



Part # 09-02-0012

TUBE SERIES 2500 CONVEYOR



Part # 09-02-0001



Part # 09-02-0002

SECTION  
B**INSTALLATION**

**HIGH VOLTAGE** ~ Always disconnect the power source before working on or near the control panel or lead wires.



HAUTE TENSION ~ Toujours débrancher la source d'alimentation avant de travailler sur ou près du panneau de commande ou les câbles.



**HIGH VOLTAGE** ~ Use insulated tools when making adjustments while the controls are under power.



HAUTE TENSION ~ Utilisez des outils isolés lors des réglages, tandis que les commandes sont sous tension.



Permanent installation may require additional electrical cords, chemical tubing, and air lines, since each installation is unique.



Installation permanente peut exiger cordons électriques, des tubes supplémentaires chimique, et les conduites d'air, puisque chaque installation est.

USC equipment may operate within a Group II, Division 2, Class G hazardous area which contains seed dust. If so, the equipment must be certified for use in this area. To avoid the possibility of an explosion ignited by static electricity, all USC equipment should be grounded by attaching a bonding strip to the metal frame and securing that strip to the factory ground point.

If labeled accordingly, USC products are designed to comply with CSA 22.1 for use in a Class II, Division 2, Group G environment. When connecting the USC system power cord into a power supply, first determine if the supply is also within the hazardous area where the USC system is located. If so, we recommend that the power be hard wired into the source. Do not use a standard electrical plug for this purpose. For other acceptable methods of connecting to a power source, or any other additional miscellaneous equipment to the USC system within a hazardous location, please consult CSA 22.1, Section 18-200 and 18-274. Review the appropriate section and ensure compliance with one of the options given.

When connecting to USC equipment from a remote location, and the USC equipment is in a hazardous Class II, Group G environment, customers are advised to follow the requirements within CSA 22.2 no. 25. More details may also be found in CSA 22.1 18-252 (wiring methods). There are various options covered within this section for wiring in a Class II, Group G (dust) environment. Select the best method suited for your specific location.

équipements USC peut fonctionner dans un Groupe II, Division 2, Classe G zone dangereuse qui contient la poussière des semences. Si oui, l'équipement doit être certifié pour une utilisation dans ce domaine. Pour éviter la possibilité d'une explosion enflammé par l'électricité statique, tous les équipements USC doit être mis à la terre en attachant une bande de liaison à la structure métallique et la sécurisation cette bande au point de masse du fabricant.

Si étiquetés en conséquence, les produits USC sont conçus pour être conformes à la norme CSA 22.1 pour une utilisation dans une Classe II, Division 2, Groupe G environnement. Lors du raccordement du USC alimentation du système cordon dans une alimentation, d'abord déterminer si l'offre est également dans la zone dangereuse où se trouve le système USC. Si oui, nous recommandons que le pouvoir soit câblé dans la source. Ne pas utiliser une prise électrique standard à cet effet. Pour les autres méthodes acceptables de se connecter à une source d'alimentation, ou tout autre matériel divers supplémentaire au système USC dans un endroit dangereux, se il vous plaît consulter la norme CSA 22.1, Section 18-200 et 18-274. Consultez la section appropriée et assurer la conformité avec l'une des options proposées.

Lors de la connexion à l'équipement USC depuis un emplacement distant et l'équipement USC est dans une classe dangereuse II, Groupe G environnement, les clients sont invités à suivre les exigences dans CSA 22.2 no. 25. Plus de détails peuvent également être trouvés dans 22,1 CSA 18-252 ( Les méthodes de câblage). Il existe diverses options couvertes dans cette section pour le câblage dans une Classe II, Groupe G (poussière ) environnement. Sélectionnez la meilleure méthode adaptée pour votre emplacement spécifique.

## **UNDER CARRIAGE ASSEMBLY 20 - 35 FT CONVEYORS**

The following instructions should be used to assemble your USC conveyor undercarriage. Hand tighten all fasteners until undercarriage is completely assembled.

### **NOTICE**

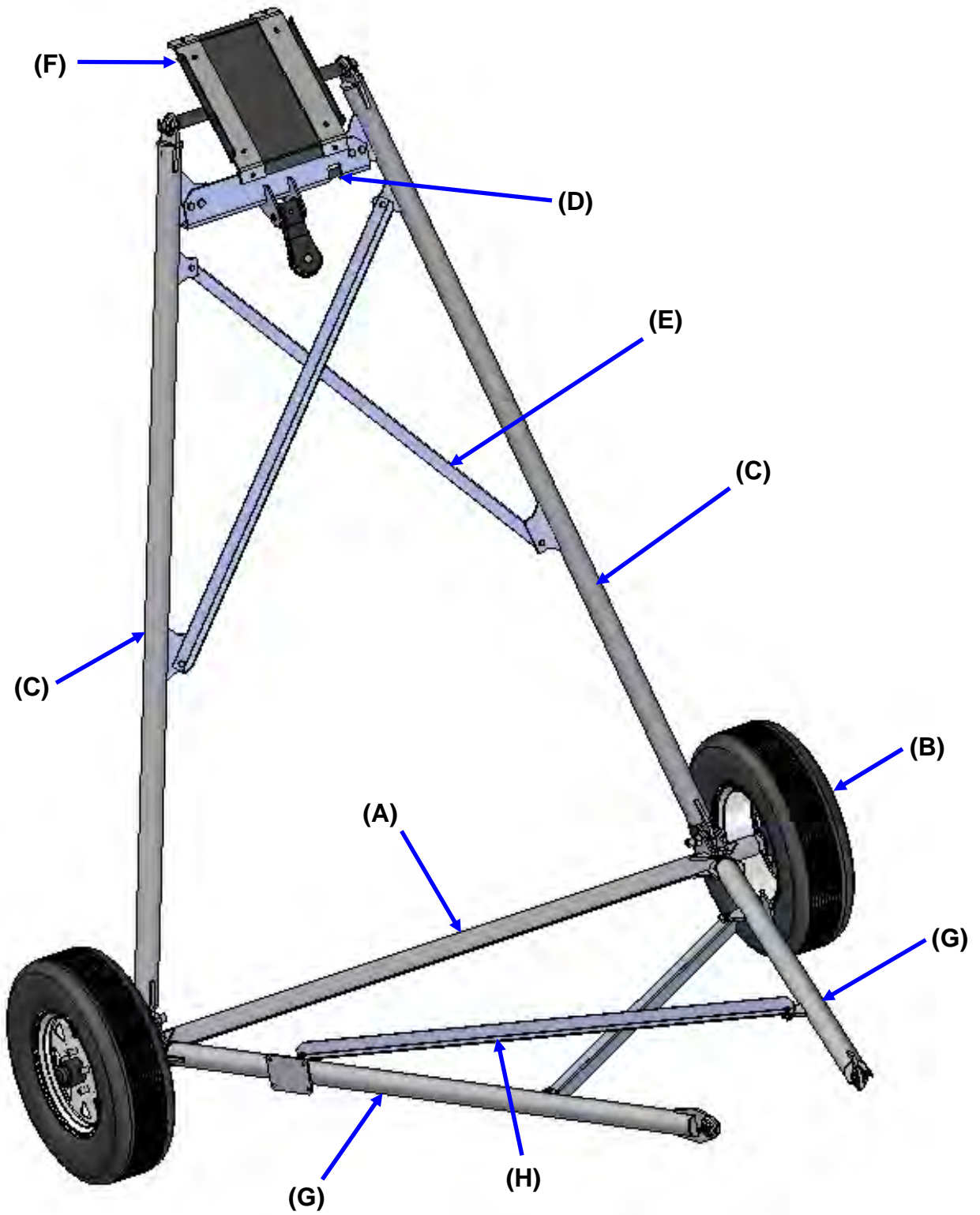
The undercarriage for each length of conveyor (20 Foot to 35 Foot), has a unique assembly number and assembly part numbers. For more detailed component information, see pages 94 through 101 in the mechanical section.

### **AVIS**

Le train d'atterrissage pour chaque longueur du convoyeur (20 pieds à 35 pieds), a un numéro d'assemblage et une partie de l'ensemble des numéros uniques. Pour plus d'informations composante plus détaillée, voir pages 94 à 101 dans la section mécanique.

1. Lay the Axle flat on the ground **(A)**.
2. Mount both tires **(B)**.
3. Assemble the upper arm weldments to the axle **(C)**.
4. Assemble the upper pulley cross member to both arms. Make sure the pulley is facing the axle and the horizontal edge of the bracket faces down. This will position the cable anchor on the correct side **(D)**.
5. Assemble the upper cross braces **(E)**.
6. Using the upper arm pin, assemble the Transport Slide. Secure the arm pin with two cotter pins on either end **(F)**.
7. Assemble the lower arm weldments to the axle **(G)**.
8. Assemble the lower cross braces **(H)**.
9. Tighten all of the fasteners.

**UNDER CARRIAGE ASSEMBLY 20 - 35 FT CONVEYORS**



## UNDER CARRIAGE ASSEMBLY 40 AND 45 FT CONVEYORS

The following instructions should be used to assemble your USC conveyor undercarriage. Hand tighten all fasteners until undercarriage is completely assembled.

### NOTICE

The undercarriage for each length of conveyor (40 Foot and 45 Foot), has a unique assembly number and assembly part numbers. For more detailed component information, see pages 102 through 107 in the mechanical section.

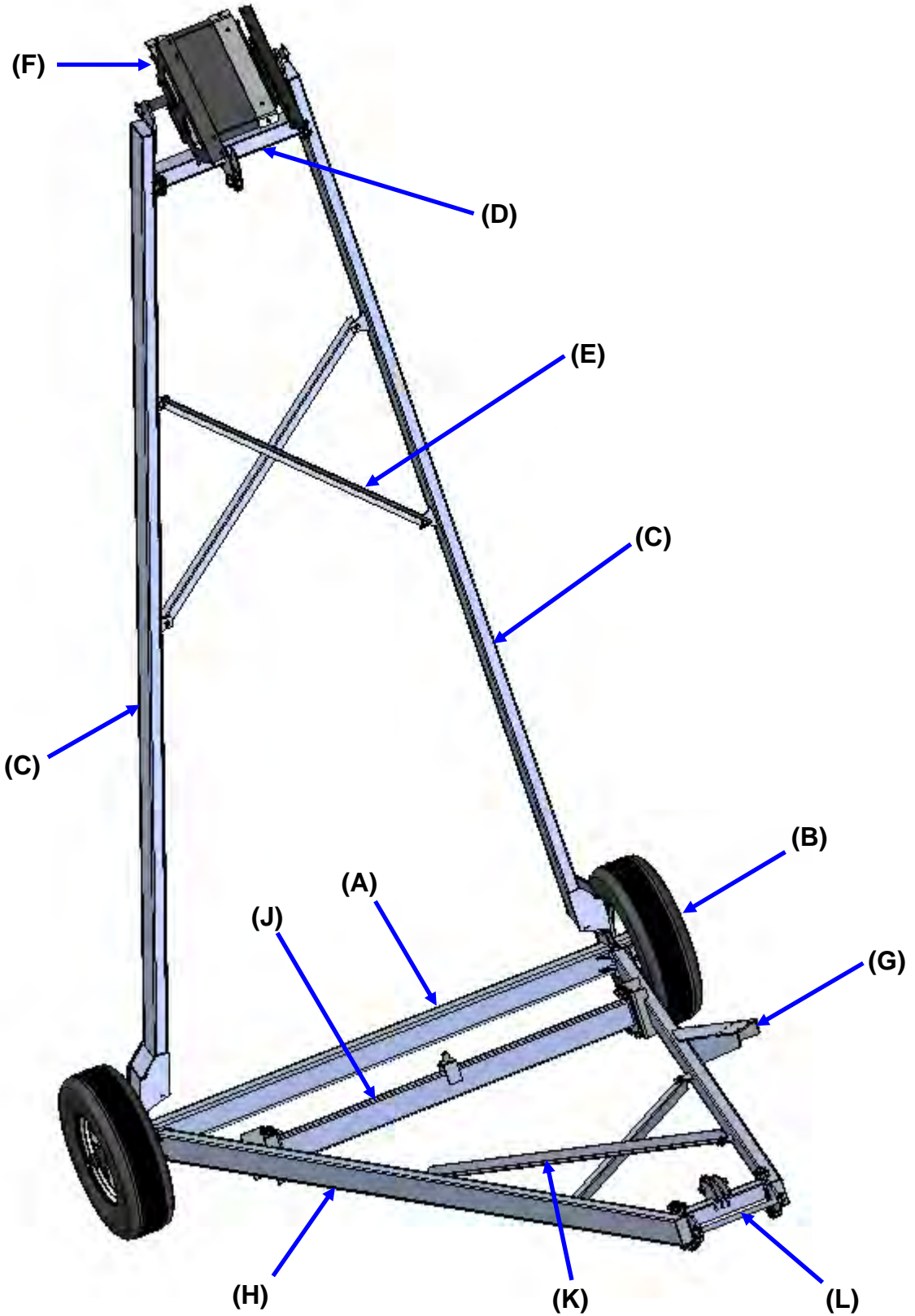
### AVIS

Le train d'atterrissage pour chaque longueur du convoyeur (40 pieds et 45 pieds), a un numéro d'assemblage et une partie de l'ensemble des numéros uniques. Pour plus d'informations composante plus détaillée, voir pages 102 à 107 dans la section mécanique.

1. Lay the Axle flat on the ground **(A)**.
2. Mount both tires **(B)**.
3. Assemble the upper arm weldments to the axle **(C)**.
4. Assemble the upper pully cross member to both arms. Make sure the cross member is positioned with the pulley facing the axle and the pulley on top **(D)**.
5. Assemble the upper cross braces **(E)**.
6. Using the upper arm pin, assemble the Transport Slide. Secure the arm pin with two cotter pins on either end **(F)**.
7. Assemble the lower arm weldment with the winch mounting bracket to the axle **(G)**.
8. Assemble the other lower arm weldment to the axle **(H)**.
9. Assemble the lower pully cross member to both arms. Make sure the cross member is positioned with the pulley on top **(J)**.
10. Assemble the lower cross braces **(K)**.
11. Assemble the cable anchor cross member **(L)**.
12. Tighten all of the fasteners.

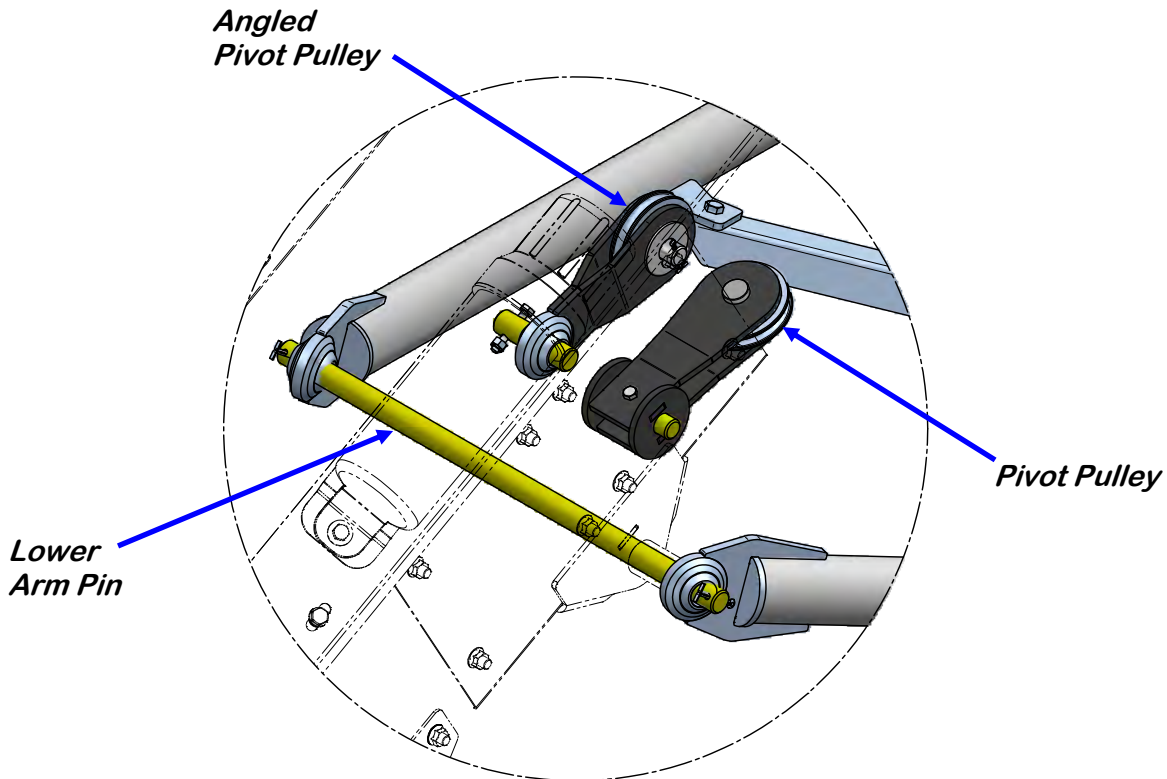


**UNDER CARRIAGE ASSEMBLY 40 AND 45 FT CONVEYORS**



**UNDER CARRIAGE AND BASE CONVEYOR ASSEMBLY 20 - 30 FT CONVEYORS**

1. Using a forklift, pick up the base conveyor assembly in the center. Move conveyor the over the assembled undercarriage centering it. For more detailed part number information, refer to the installation document (TD-09-06-4056) included in the parts bucket.
2. Mount the upper stop mounts using the holes designated in detail **A** (see pages 28 - 30).
3. Mount the lower stop mounts using the holes designated in detail **B** (see pages 28 – 30).
4. Lift the under carriage slide until it is pressed firmly against the under side of the conveyor between the stop mounts.
5. Install the angle supports to capture the slide assembly.
6. Raise the lower arms until the swivel mounts line up with the holes on the splice mounting bracket. Insert the lower arm pin. Secure each end of the pin with a cotter pin.
7. Assemble the pivot pulley and the angled pivot pulley as shown in detail **C**.

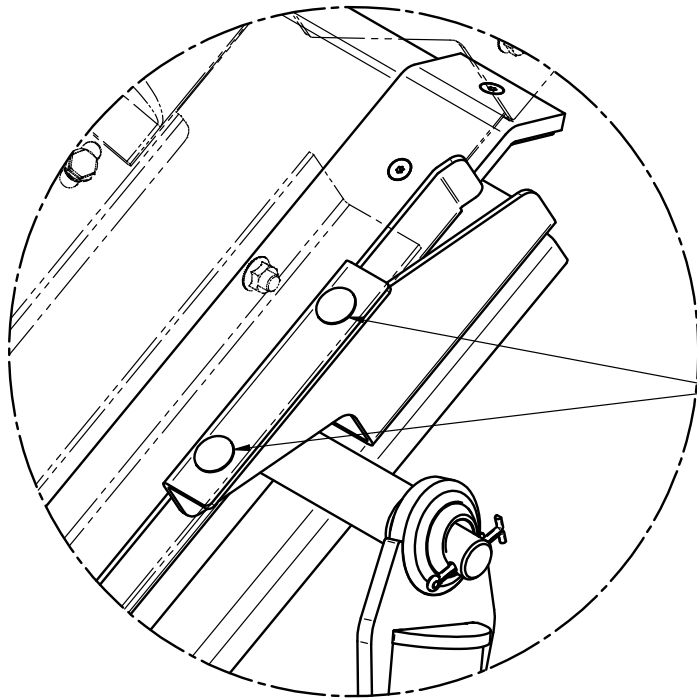


DETAIL C

**UNDER CARRIAGE AND BASE CONVEYOR ASSEMBLY 20 - 30 FT CONVEYORS**

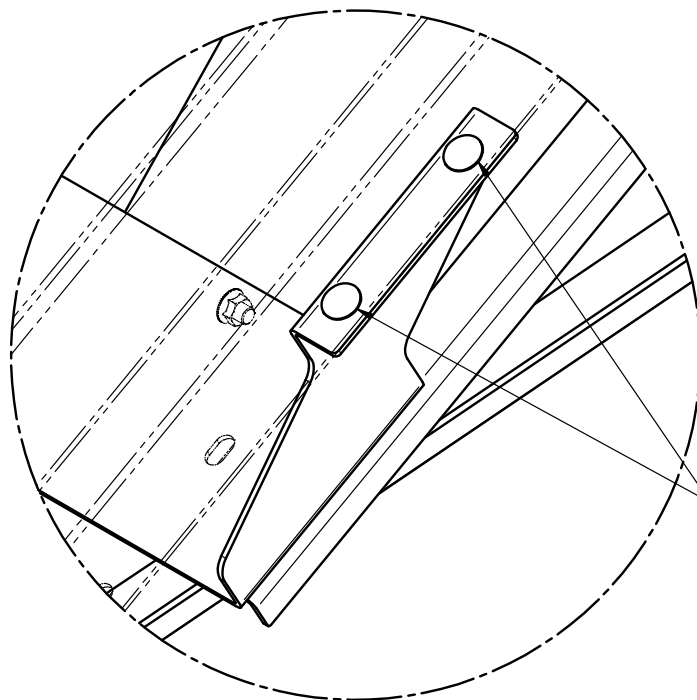


**SLIDE MOUNT DETAILS 20 FT CONVEYOR**



UPPER STOP MOUNTS IN  
1ST & 2ND HOLES OF ANGLE

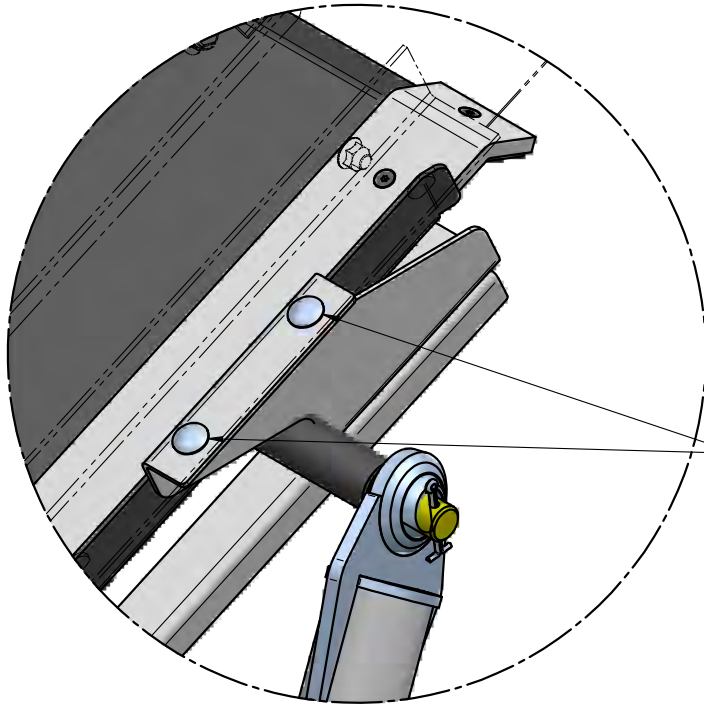
DETAIL A



LOWER STOP MOUNTS IN  
11TH & 12TH HOLES OF ANGLE,  
FROM TOP.

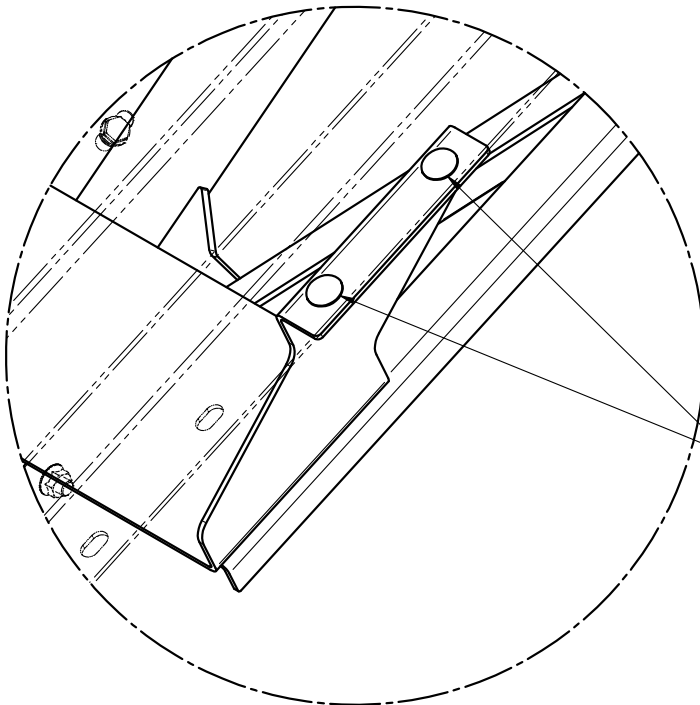
DETAIL B

**SLIDE MOUNT DETAILS 25 FT CONVEYOR**



UPPER STOP MOUNTS IN  
2ND & 3RD HOLES OF ANGLE.  
FROM HEAD END

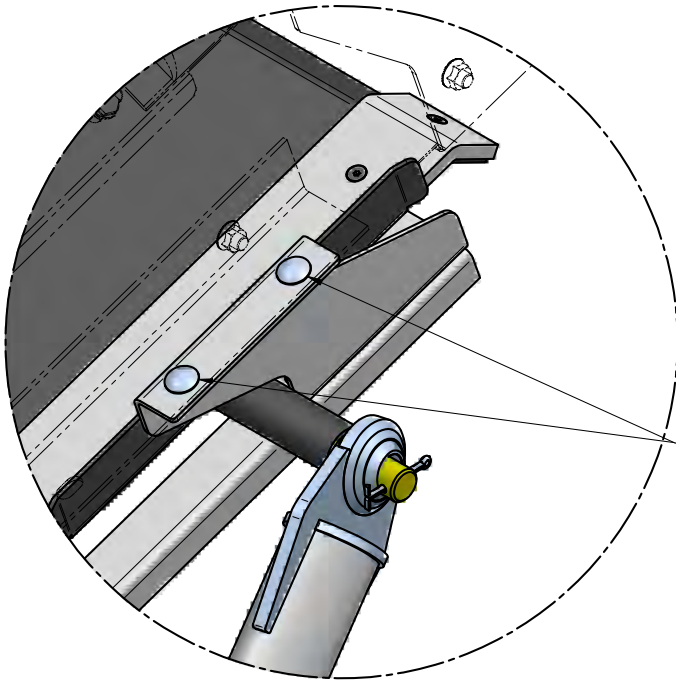
DETAIL A



LOWER STOP MOUNTS IN  
17TH AND 18TH HOLES OF  
ANGLE, FROM HEAD END

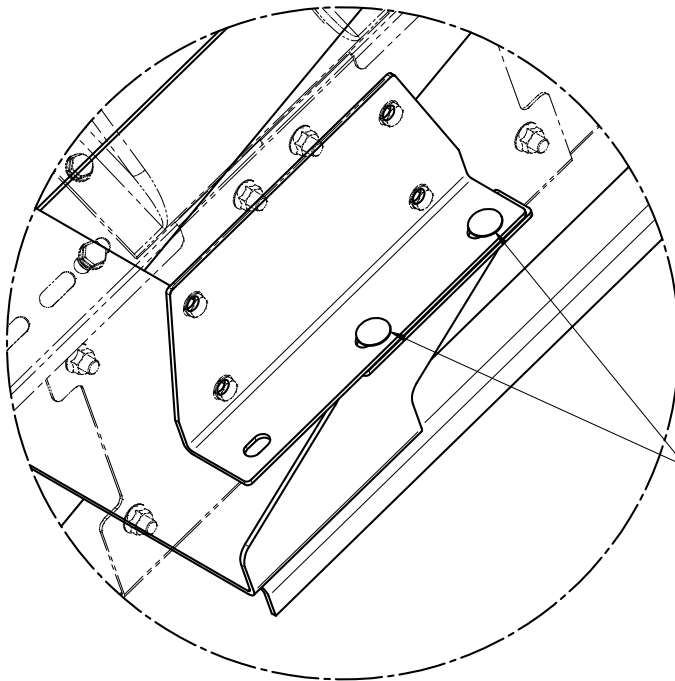
DETAIL B

**SLIDE MOUNT DETAILS 30 FT CONVEYOR**



UPPER STOP MOUNTS IN  
1ST & 2ND HOLES OF ANGLE  
FROM HEAD END

DETAIL A

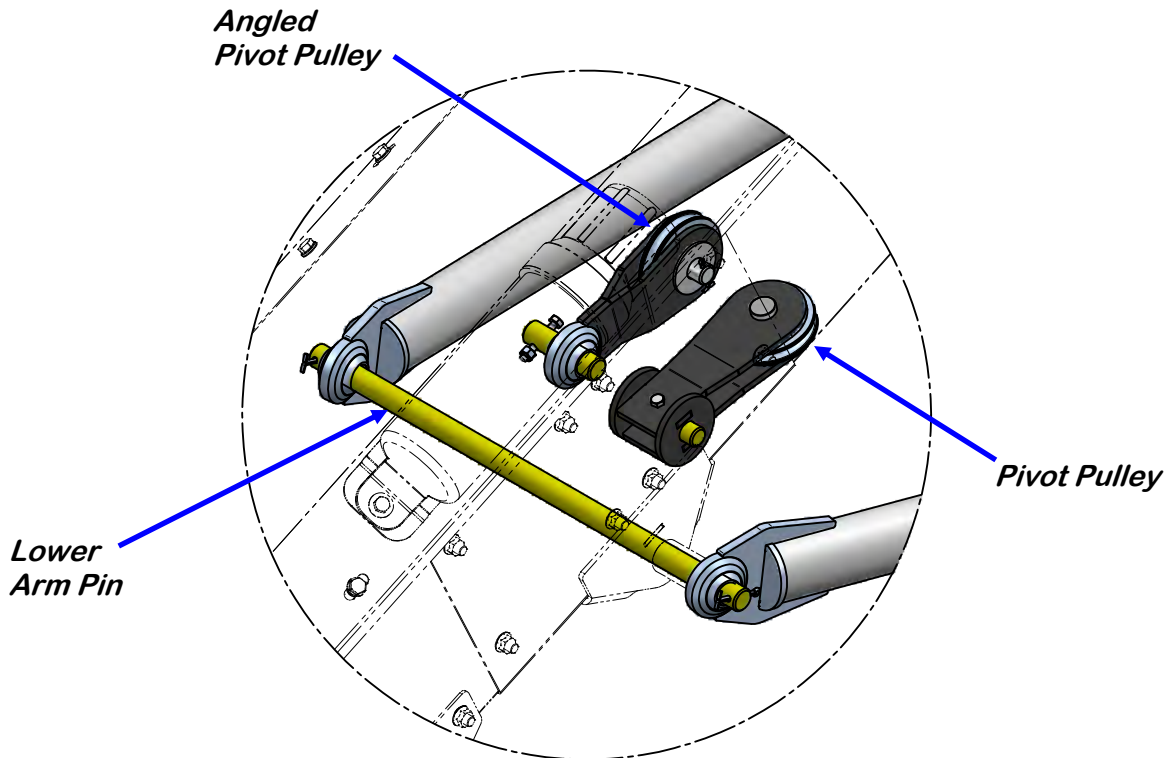


LOWER STOP MOUNTS ON 1ST AND 2ND  
HOLES OF 05-10-4339 PLATE,  
SPLICE COVER.

DETAIL B

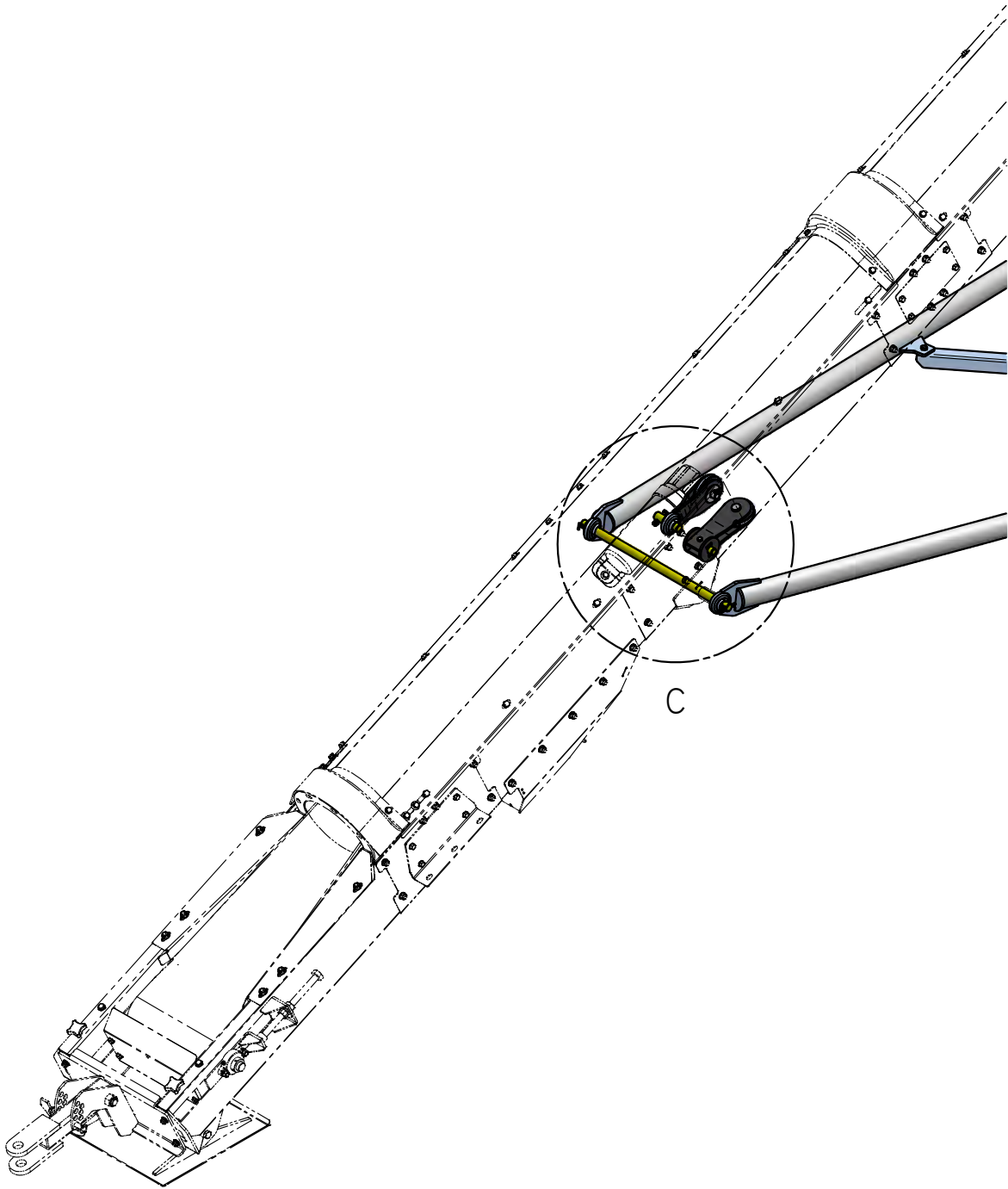
**UNDER CARRIAGE AND BASE CONVEYOR ASSEMBLY 35 FT CONVEYOR**

1. Using a forklift, pick up the base conveyor assembly in the center. Move conveyor the over the assembled undercarriage centering it. For more detailed part number information, refer to the installation document (TD-09-06-4056) included in the parts bucket.
2. Mount the upper stop mounts using the holes designated in detail **A** (see page 34).
3. Mount the lower stop mounts using the holes designated in detail **B** (see page 34).
4. Lift the under carriage slide until it is pressed firmly against the under side of the conveyor between the stop mounts.
5. Install the angle supports to capture the slide assembly.
6. Raise the lower arms until the swivel mounts line up with the holes on the splice mounting bracket. Insert the lower arm pin. Secure each end of the pin with a cotter pin as shown in detail **C**.
7. Assemble the pivot pulley and the angled pivot pulley as shown in detail **C**.



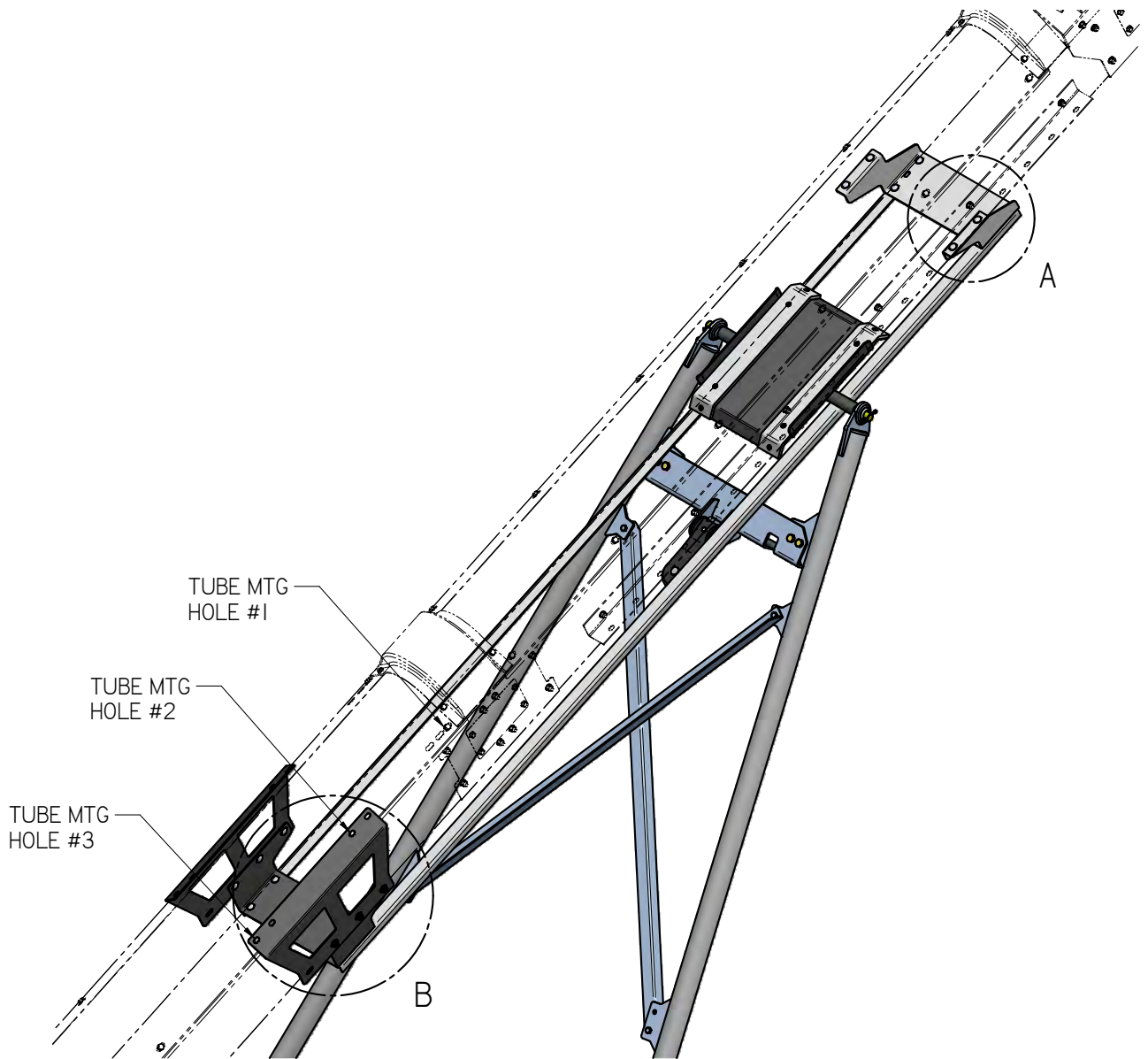
DETAIL C

**UNDER CARRIAGE AND BASE CONVEYOR ASSEMBLY 35 FT CONVEYOR**

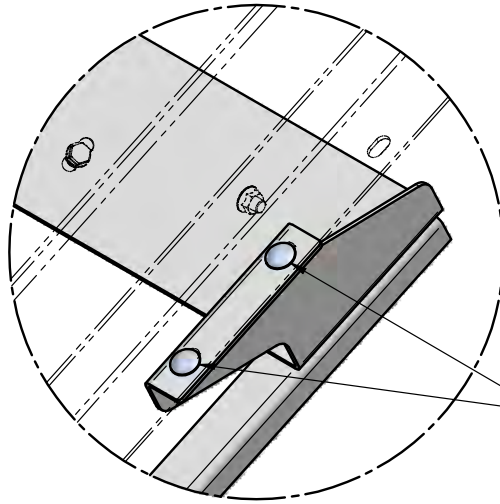




**UNDER CARRIAGE AND BASE CONVEYOR ASSEMBLY 35 FT CONVEYOR**

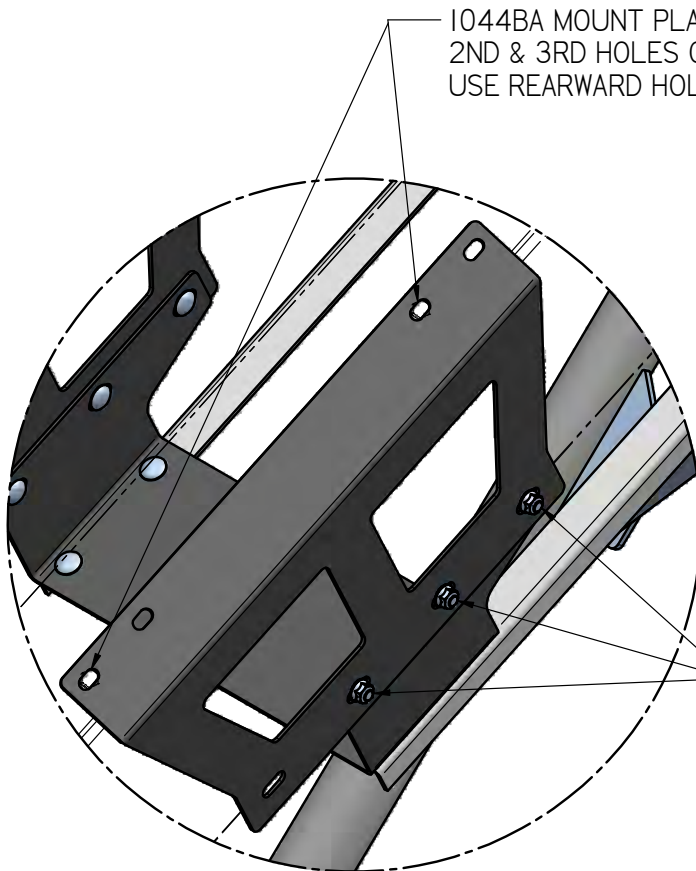


**SLIDE MOUNT DETAILS 35 FT CONVEYOR**



UPPER STOP MOUNTS IN  
5TH & 6TH HOLES OF ANGLE  
MOUNTS

DETAIL A



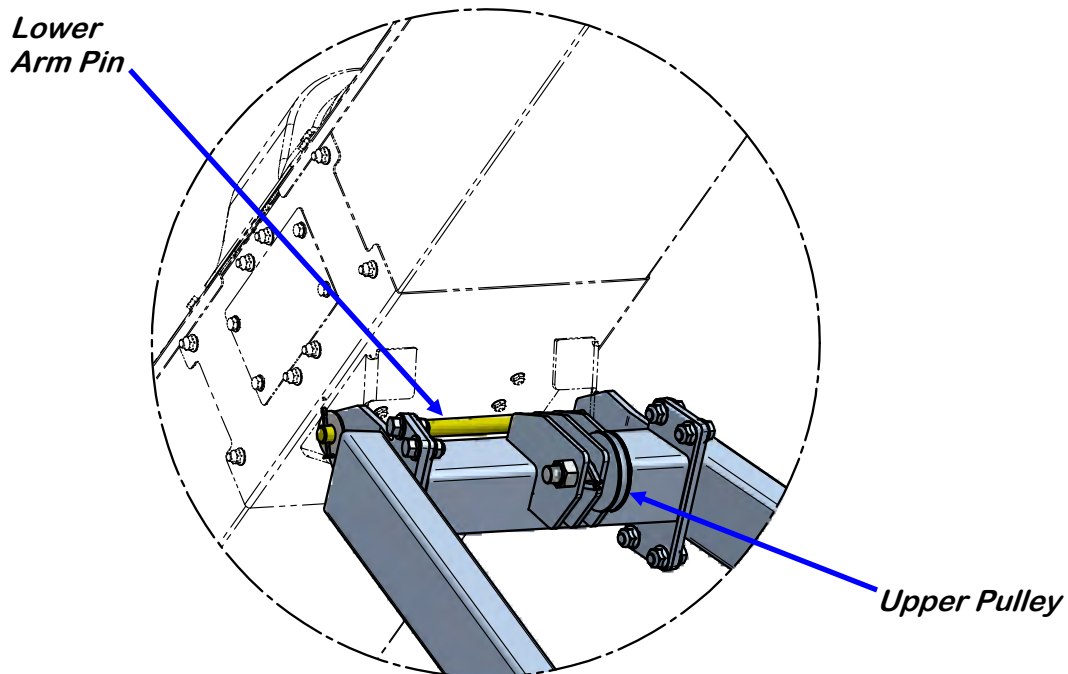
1044BA MOUNT PLATES MOUNT IN  
2ND & 3RD HOLES OF TUBE WDMT.  
USE REARWARD HOLES OF PLATE.

LOWER STOP MOUNTS IN  
FORWARD 3 HOLES OF  
1044BE MOUNT PLATE

DETAIL B

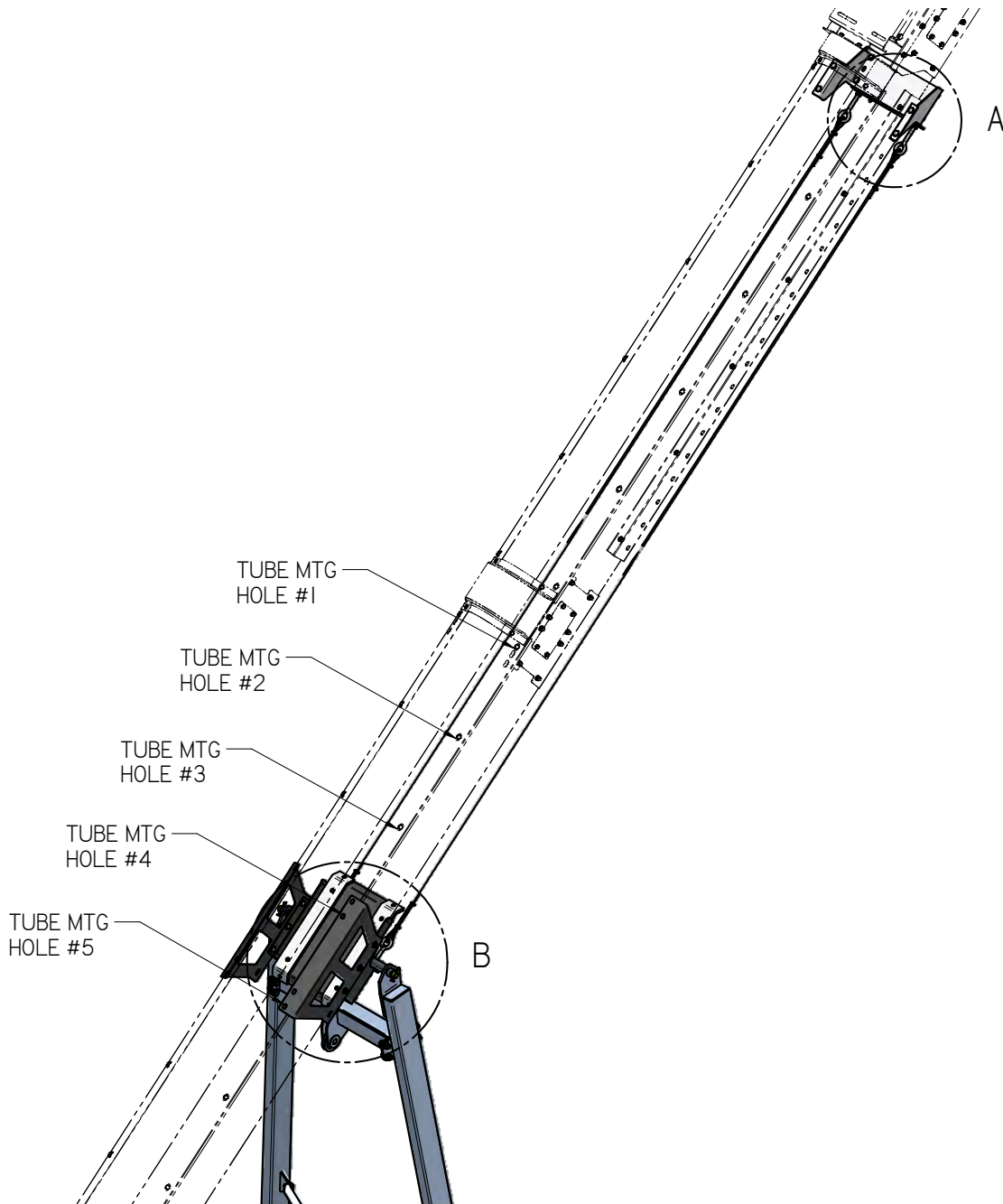
**UNDER CARRIAGE AND BASE CONVEYOR ASSEMBLY 40 - 45 FT CONVEYOR**

1. Using a forklift, pick up the base conveyor assembly in the center. Move conveyor the over the assembled undercarriage centering it. For more detailed part number information refer to the mechanical section, pages 92 - 97.
2. Mount the upper stop mounts using the holes designated in detail **A** (see pages 37 and 39).
3. Mount the lower stop mounts using the holes designated in detail **B** (see pages 37 and 39).
4. Lift the under carriage slide until it is pressed firmly against the under side of the conveyor between the lower stop mount.
5. Install the support cables from the lower stop bracket to the upper stop bracket. To prevent damage, do not overtighten the cables.
6. Raise the lower arms until the undercarriage bracket lines up with the holes on the splice mounting bracket. Insert the lower arm pin. Secure each end of the pin with a cotter pin.

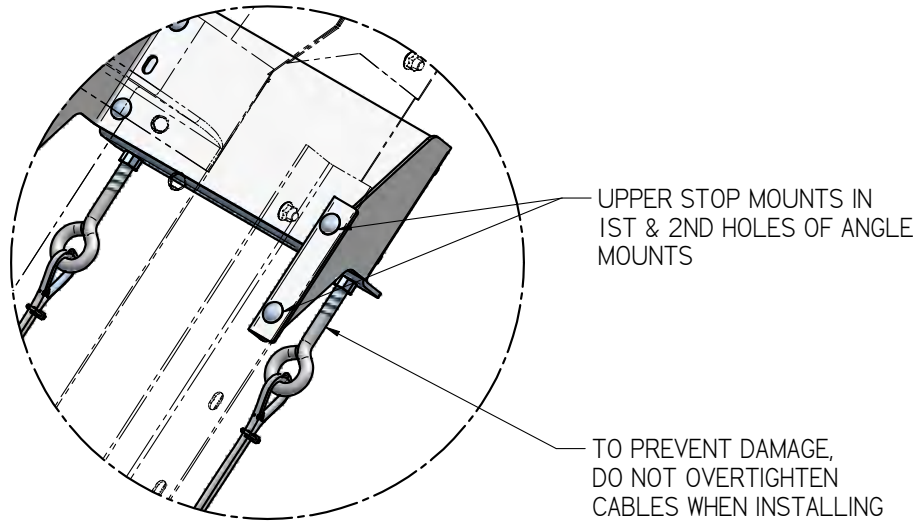


DETAIL C

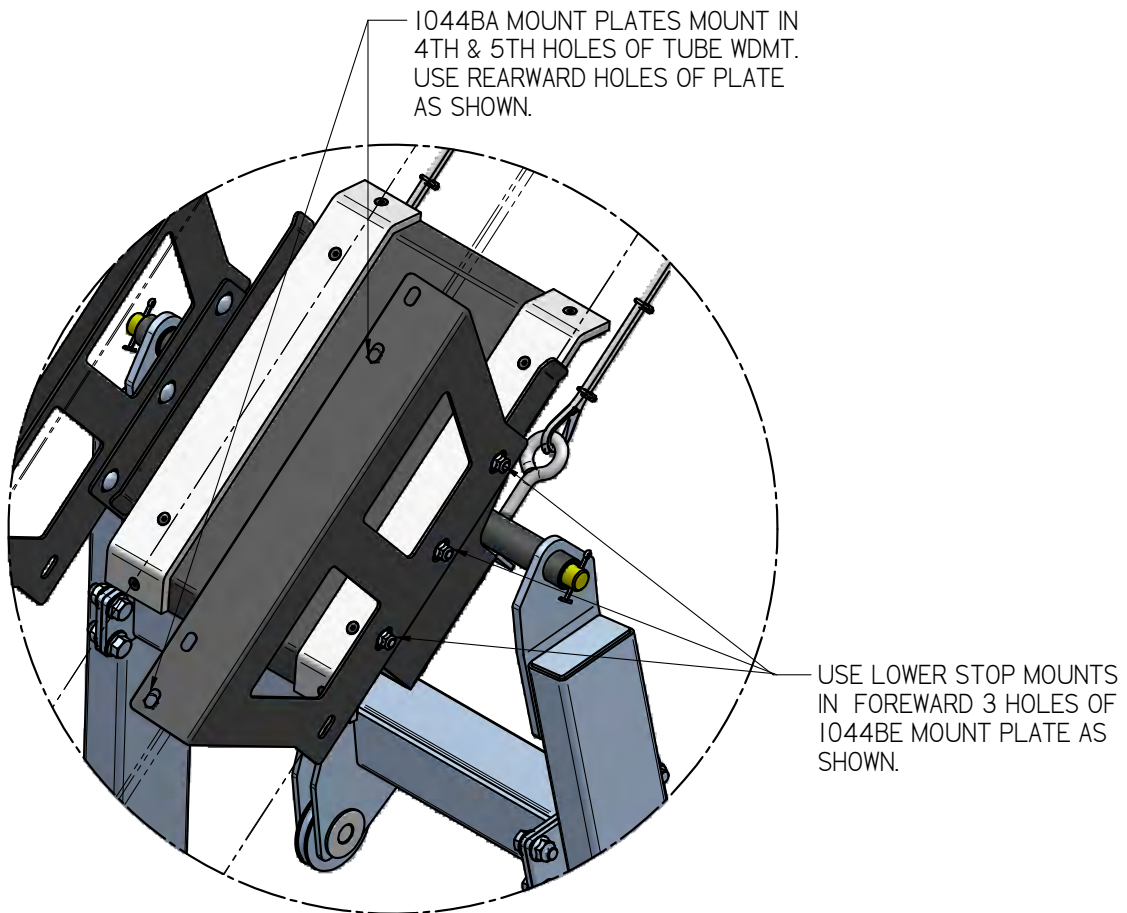
**UNDER CARRIAGE AND BASE CONVEYOR ASSEMBLY 40 FT CONVEYOR**



**SLIDE MOUNT DETAILS 40 FT CONVEYOR**

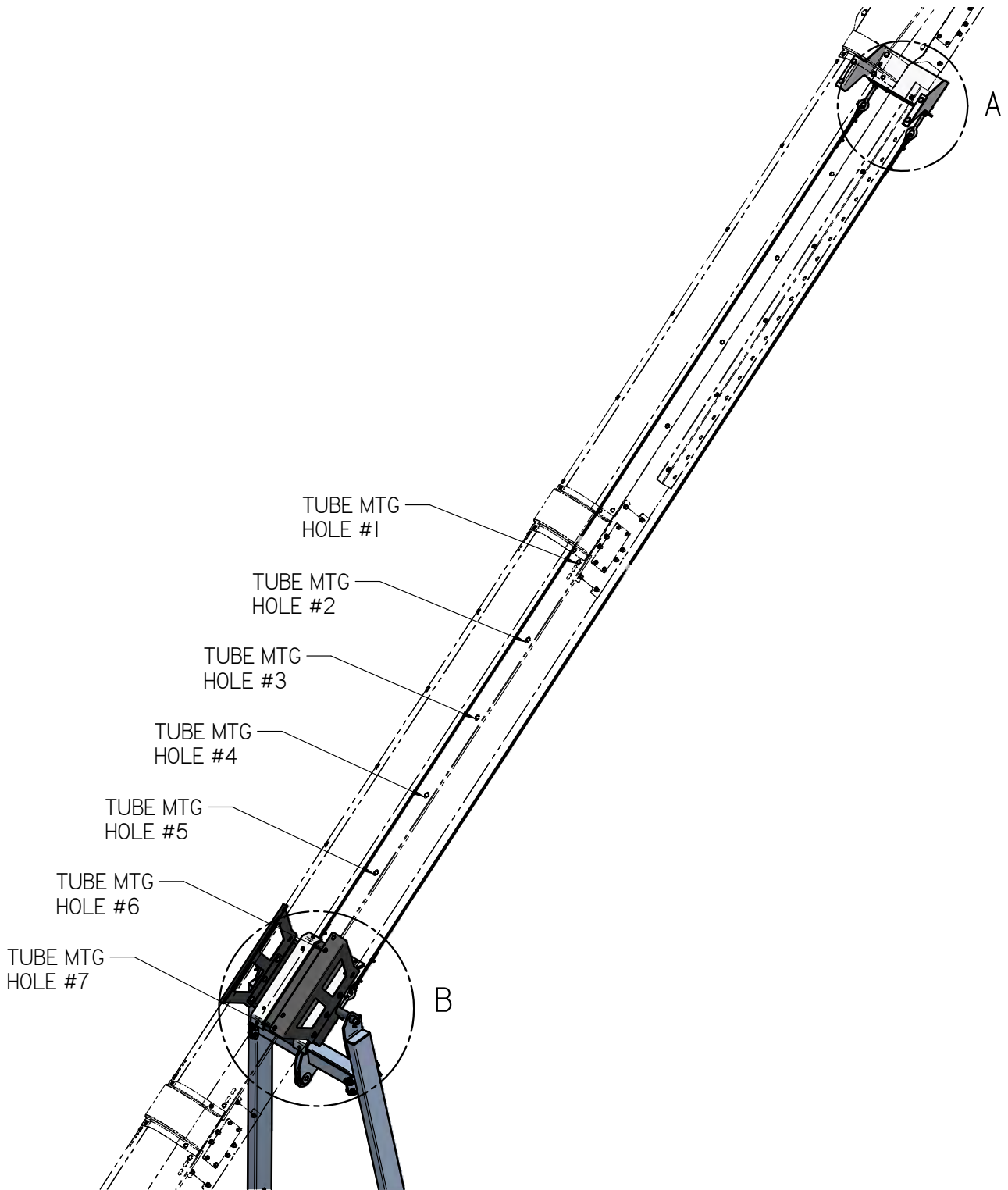


DETAIL A

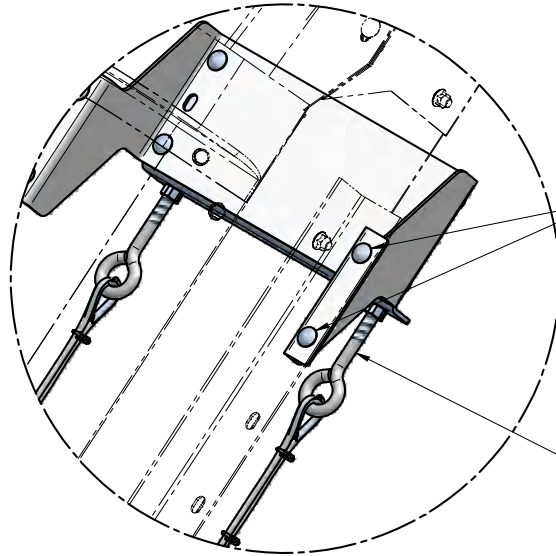


DETAIL B

**UNDER CARRIAGE AND BASE CONVEYOR ASSEMBLY 45 FT CONVEYOR**



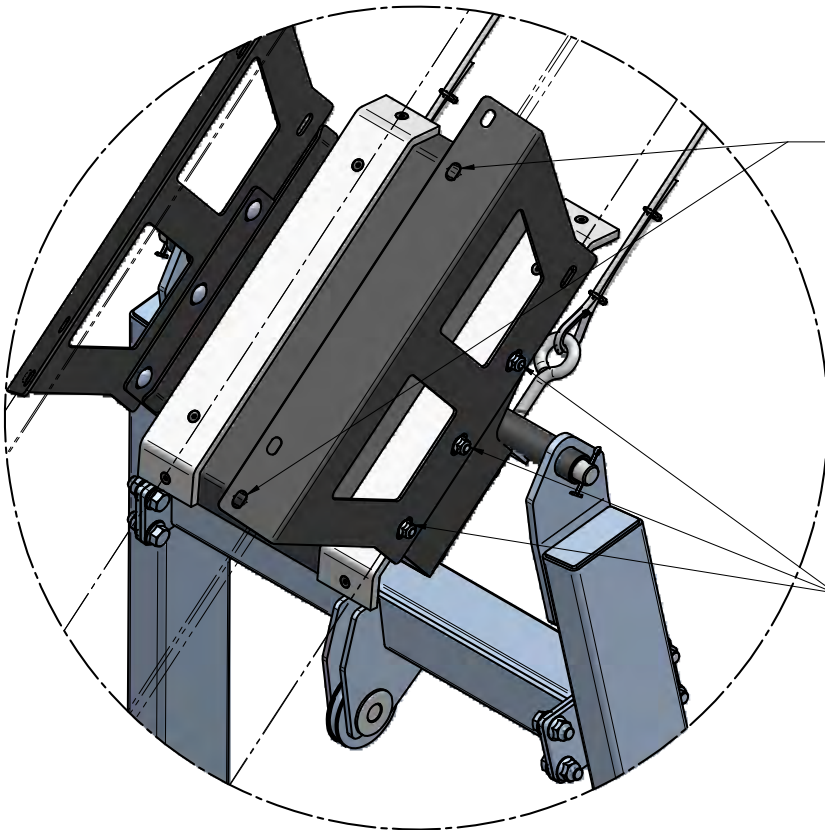
**SLIDE MOUNT DETAILS 45 FT CONVEYOR**



UPPER STOP MOUNTS IN  
1ST & 2ND HOLES OF ANGLE  
MOUNTS AS SHOWN.

TO PREVENT DAMAGE,  
DO NOT OVERTIGHTEN  
CABLES WHEN INSTALLING

DETAIL A

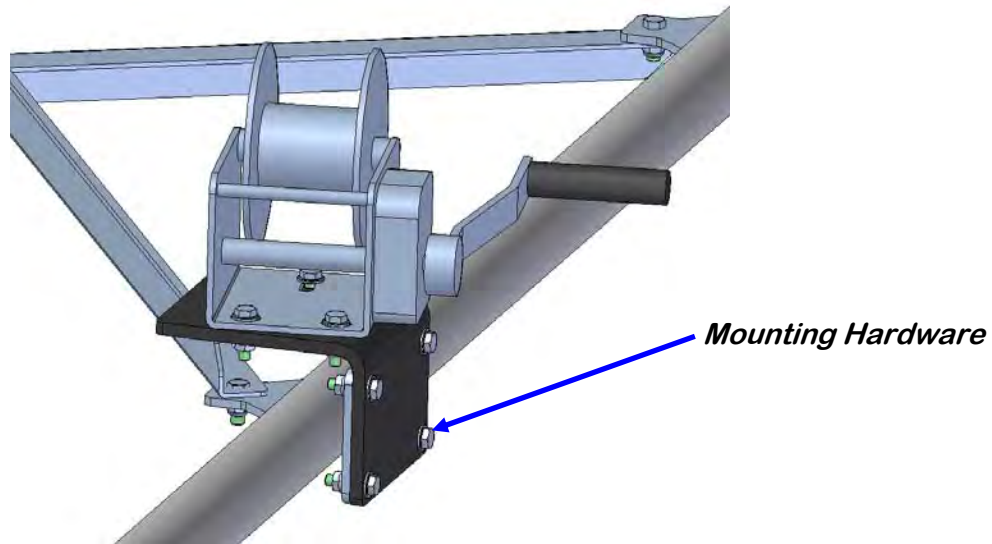


1044BA MOUNT PLATES MOUNT IN  
6TH & 7TH HOLES OF TUBE WDMT.  
USE REARWARD HOLES OF PLATE  
AS SHOWN.

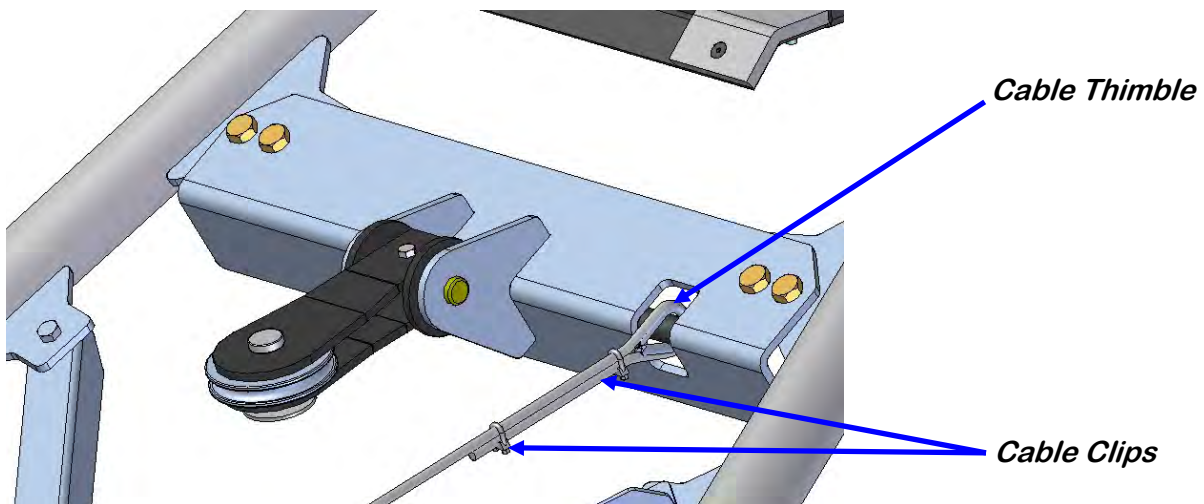
USE LOWER STOP MOUNTS  
FORWARD 3 HOLES OF  
1044BE MOUNT PLATE AS  
SHOWN.

DETAIL B

**MANUAL WINCH AND CABLE INSTALLATION 20 - 35 FT CONVEYORS**



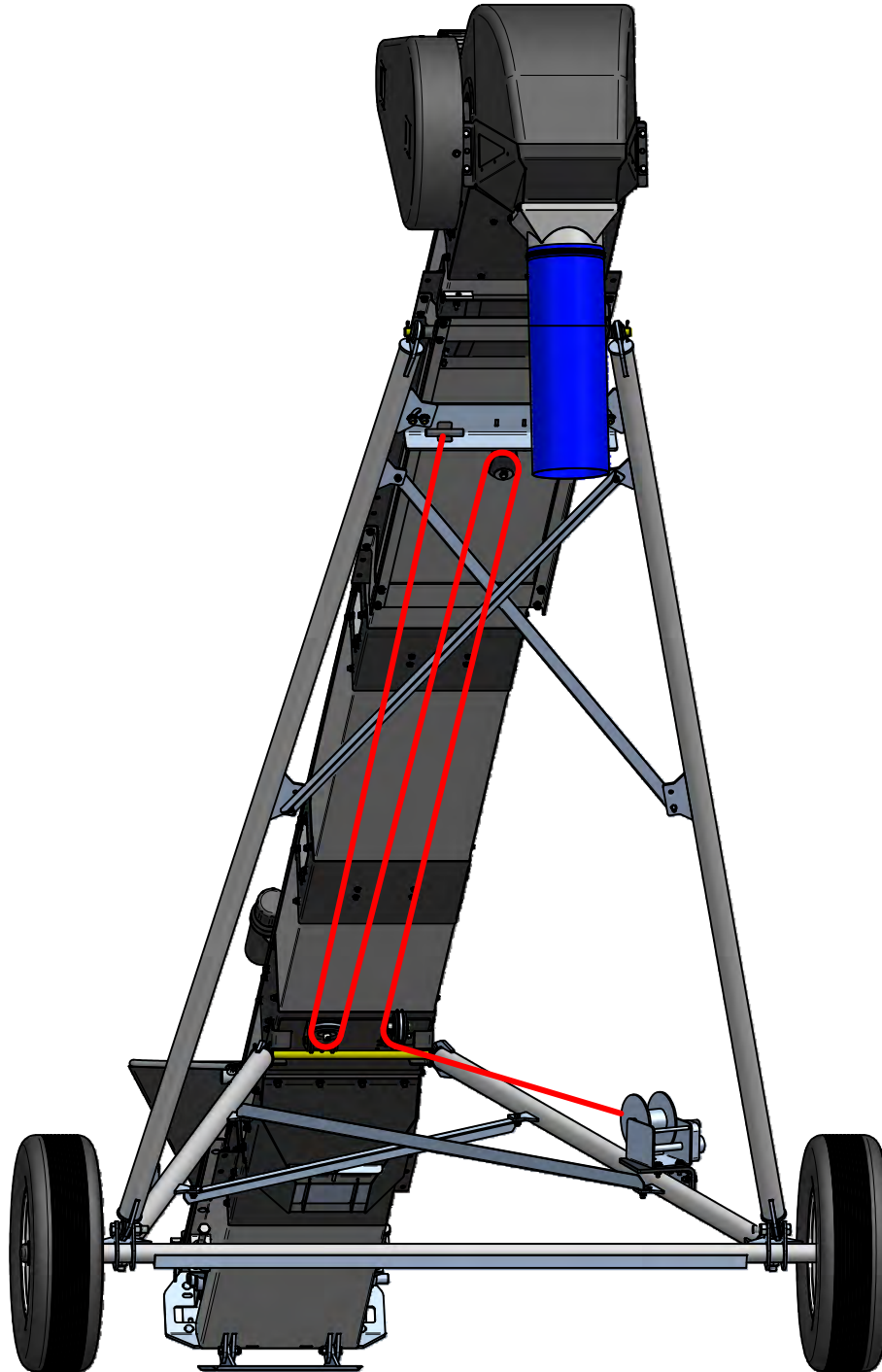
1. Mount the winch assembly to the lower arm using the hardware provided. Mount it so the winch is in on the inside of the arm as shown above. Adjust the winch so that the spindle directly faces the first pulley before tightening the three mounting bolts
2. Attach the cable to the crank.
3. Route the cable through the pulleys and attach to the under-carriage cable anchor following the path as shown in the illustration on page 41.
4. After cable has been run through the pulleys, terminate at the cable anchor on the upper cross member as shown below.



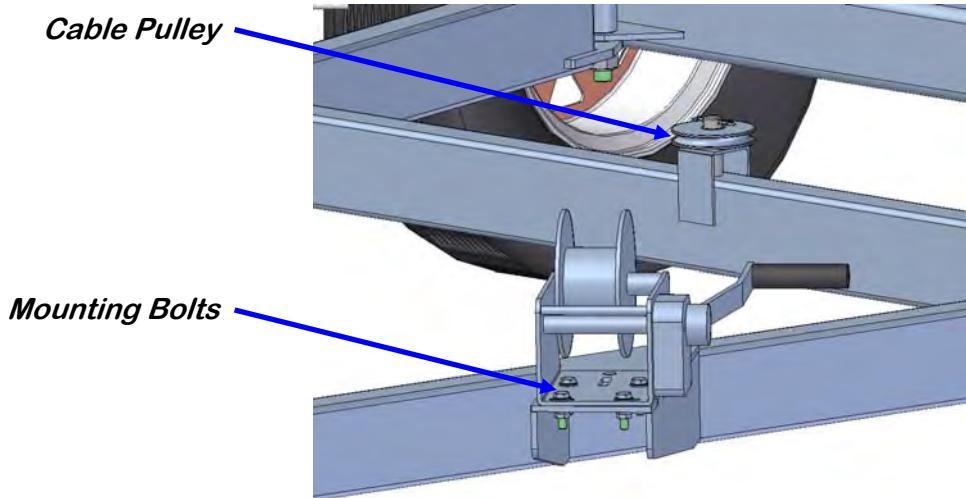


**MANUAL WINCH CABLE ROUTING 20 - 35 FT CONVEYORS**

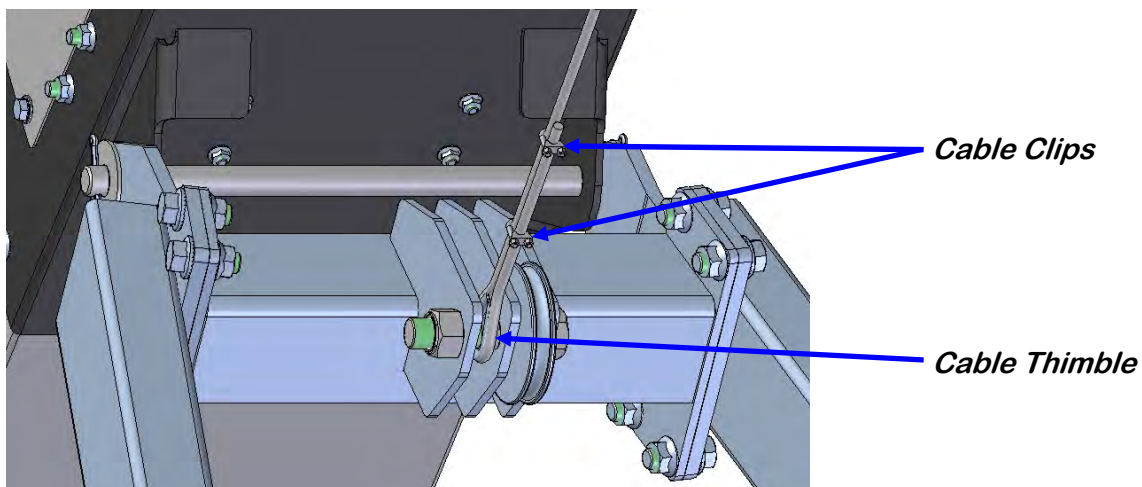
5. Route the cable as shown on the view below in red. At each pulley, the cotter pin, clevis pin, washer and pulley must be removed. After placing the cable into the pully bracket, re-install pulley and hardware capturing the cable. Run the cable from the winch through the bottom pivoting pulley, through the top pulley, back down through the bottom non-pivoting pulley and terminate at the cable anchor.



**MANUAL WINCH AND CABLE INSTALLATION 40 - 45 FT CONVEYORS**



1. Slide the cable pulley (01-02-0074) onto the spindle in the middle of the cross member and secure it with a cotter pin (06-09-0023).
2. Assemble the winch to the bracket on the lower arm using the hardware provided. Adjust the winch so that the spindle directly faces the cross member pulley before tightening the four mounting bolts
3. Attach the cable to the crank.
4. Route the cable through the pulleys and attach to the under-carriage cable anchor following the path as shown in the illustration on page 43.
5. After cable has been run through the pulleys, terminate at the cable anchor on the upper cross member as shown below.



**MANUAL WINCH CABLE ROUTING 40 - 45 FT CONVEYORS**

6. Route the cable as shown on the view below in red. After the first pulley, each pulley, cotter pin, clevis pin, washer and pulley must be removed. After placing the cable into the pully bracket, re-install pulley and hardware capturing the cable. Run the cable from the winch around the cross member pulley, through the pivoting pulley, through the top pulley, back down through the bottom non-pivoting pulley and terminate at the cable anchor.



**ELECTRIC WINCH AND CABLE KIT INSTALLATION (20 - 35 FT CONVEYORS)**

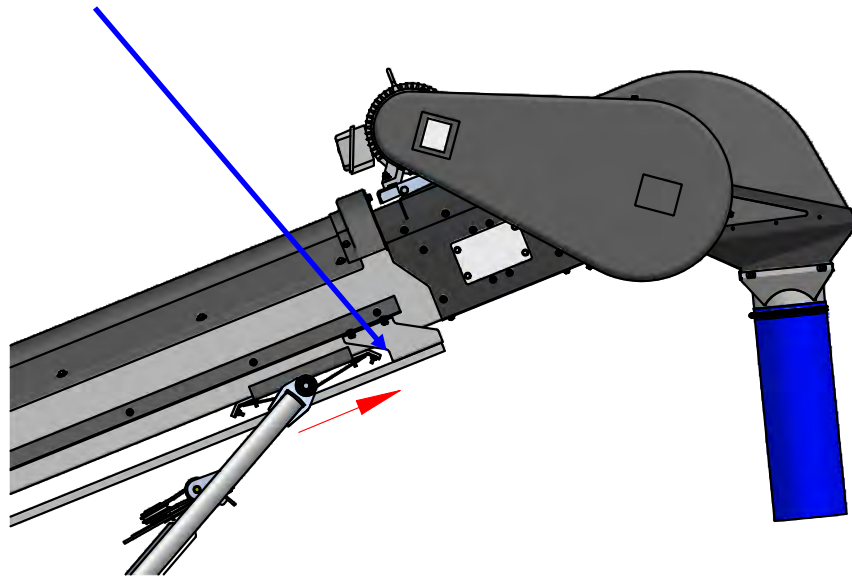
**NOTICE**

If electric winch kit was ordered at the same time as the conveyor, steps 1 through 4 will not be necessary.

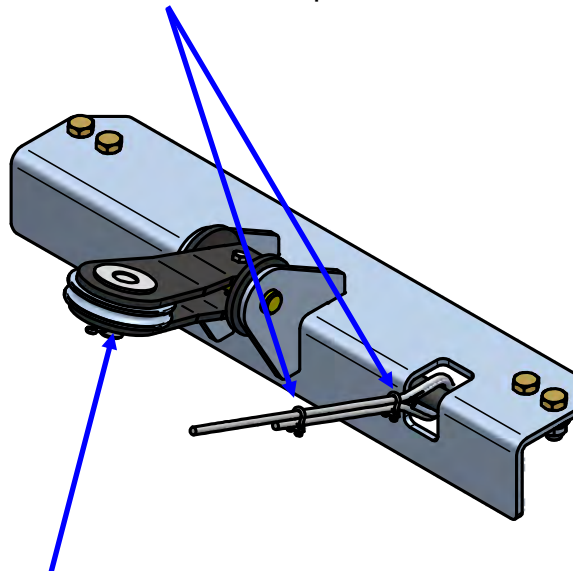
**AVIS**

Si le kit de treuil électrique a été commandé en même temps que le convoyeur, les étapes 1 à 4 ne sera pas nécessaire.

1. Lower conveyor until slide is against upper stop. When fully lowered winch cable should be slack.



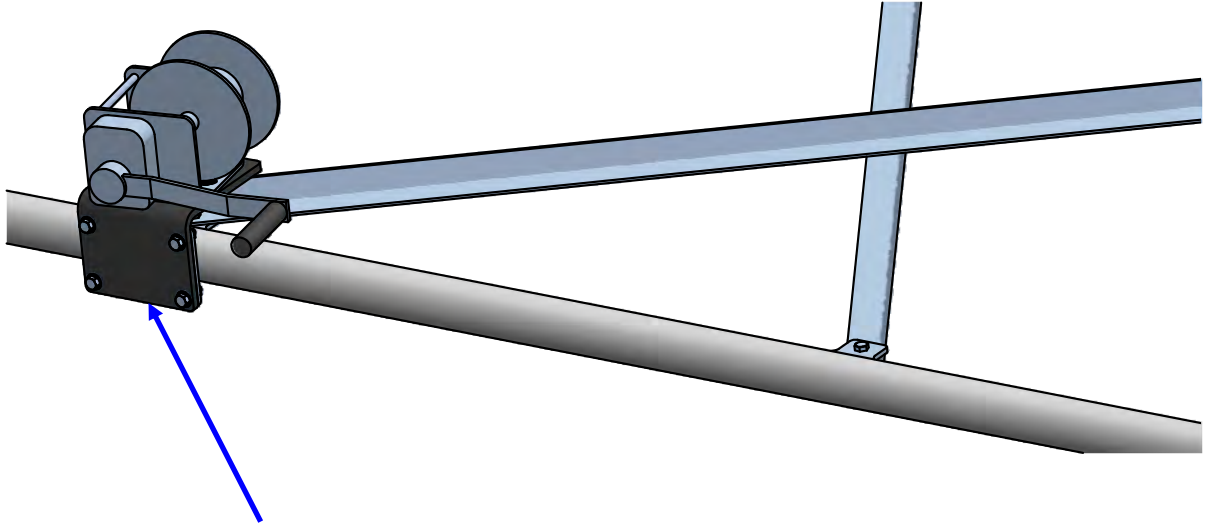
2. Once the cable is slack, remove cable clamps and cable from anchor.



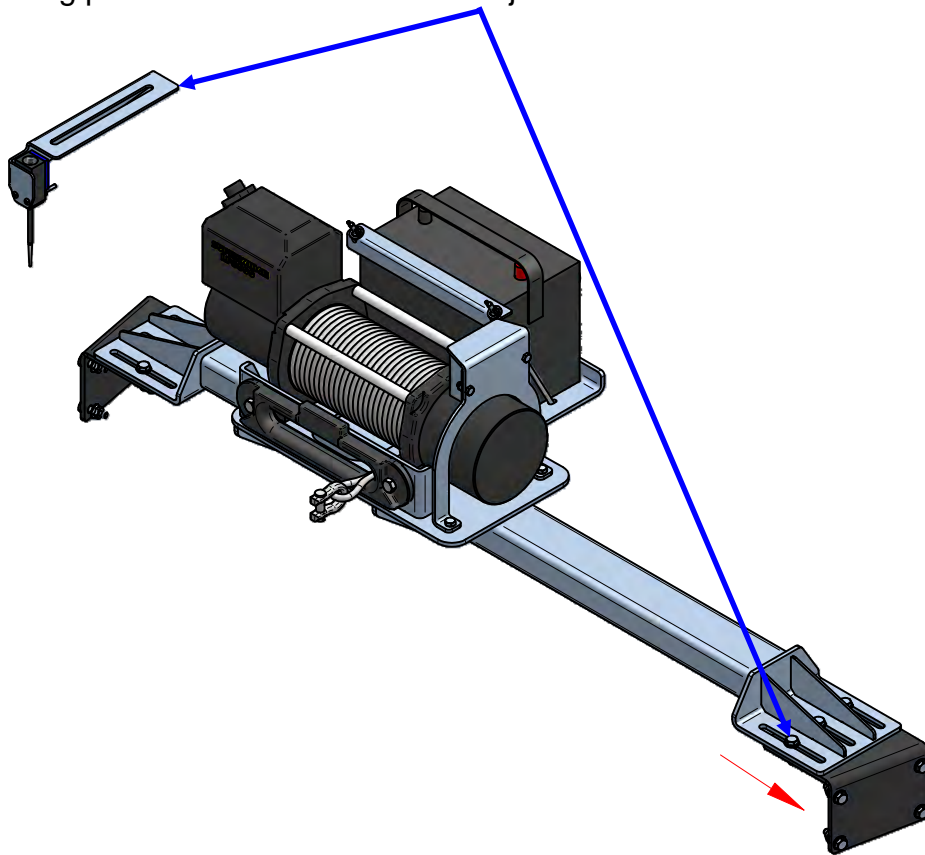
3. Remove cotter pin, pulley pin and the pulley from the upper cross member. Set aside for re-installation later.

**ELECTRIC WINCH AND CABLE KIT INSTALLATION (20 - 35 FT CONVEYORS)**

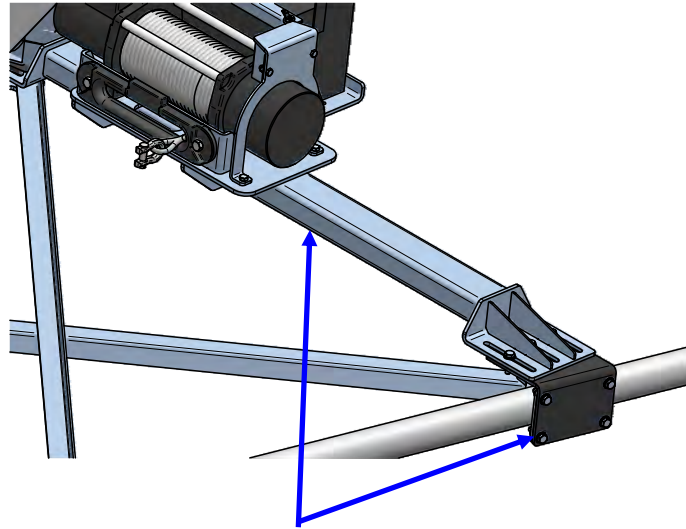
4. Remove and discard the four mounting bolts, winch and winch cable



5. Remove the limit switch assembly and set aside. Loosen the six 3/8 bolts and slide the mounting plates out to the end of the adjustment slots.

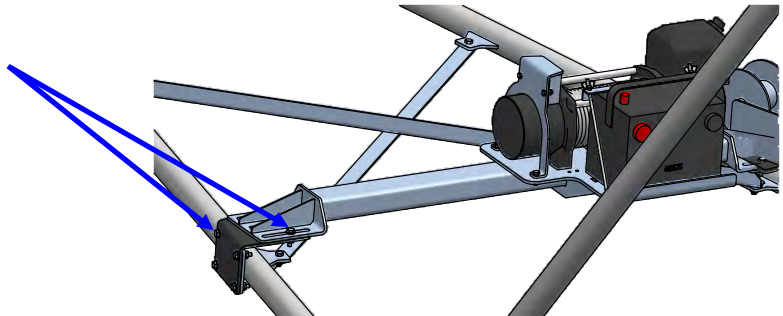


**ELECTRIC WINCH AND CABLE KIT INSTALLATION (20 - 35 FT CONVEYORS)**

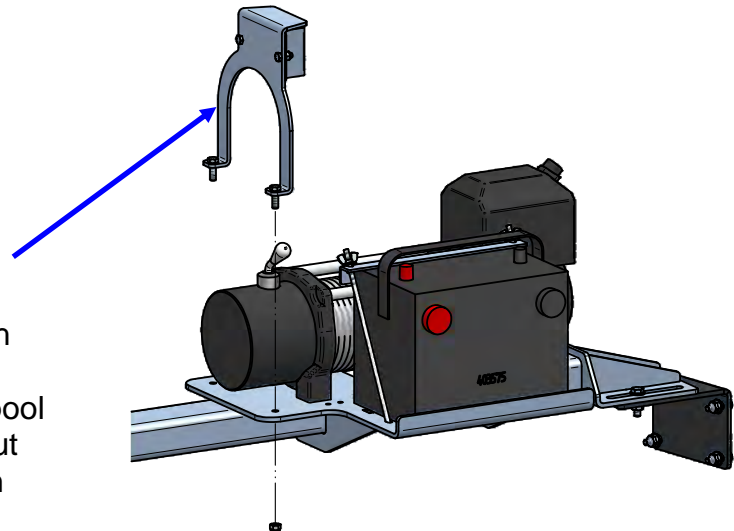


6. Place the winch assembly over the trailing arms. Slide the mounting plates into place and install mounting hardware. Do not fully tighten the hardware until both sides are positioned correctly.

7. After the winch assembly is positioned correctly, tighten all mounting hardware.



8. Remove the lever stop bracket from the winch assembly. This allows access to the clutch release lever on the winch. Rotate the lever to allow the spool to free wheel. Pull the cable out of the winch for routing through the pulleys.



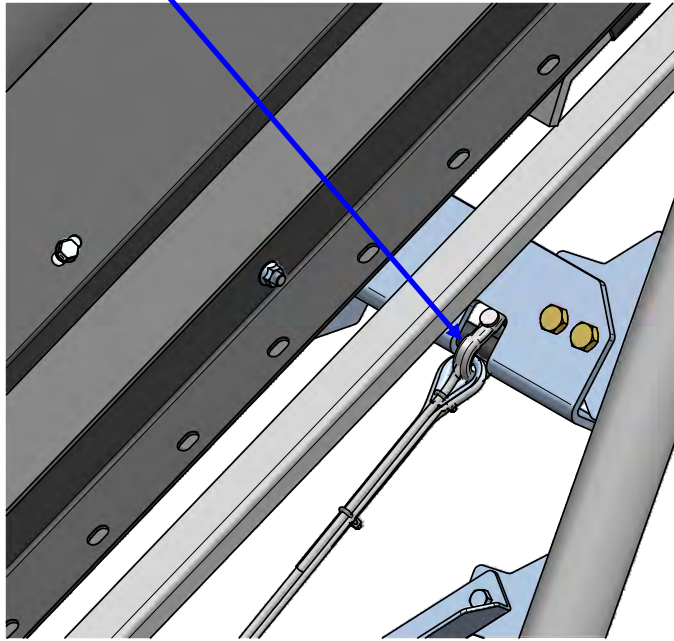
**ELECTRIC WINCH AND CABLE KIT INSTALLATION (20 - 35 FT CONVEYORS)**

9. Route the cable as shown on the view below in red. At each pulley, the cotter pin, clevis pin, washer and pulley must be removed. After placing the cable into the pully bracket, re-install pulley and hardware capturing the cable. Run the cable from the winch through the bottom pivoting pulley, through the top pulley, back down through the bottom non-pivoting pulley.

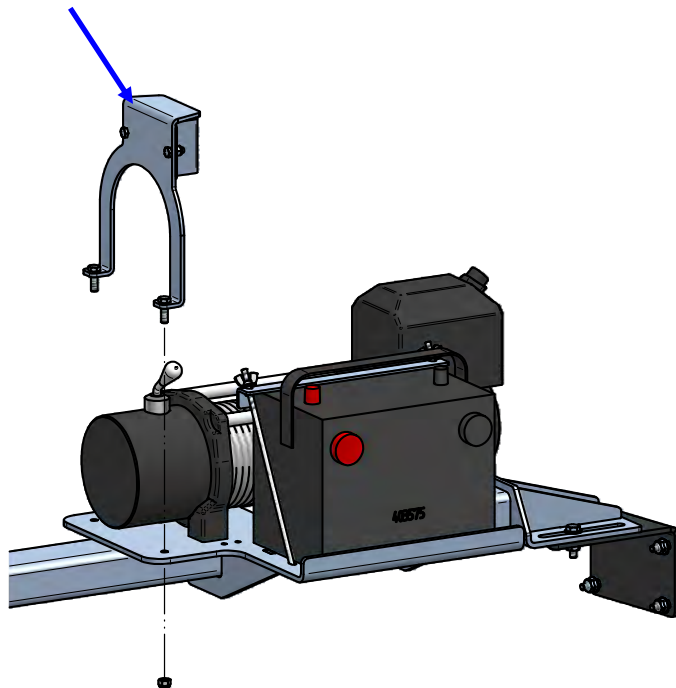


**ELECTRIC WINCH AND CABLE KIT INSTALLATION (20 - 35 FT CONVEYORS)**

10. Once the cable has been routed, use the shackle and cotter pin to attach the cable end to the anchor plate.



11. Rotate clutch release lever back into operating position. Re-install the lever stop bracket and tighten hardware.





**ELECTRIC WINCH AND CABLE KIT INSTALLATION (20 - 35 FT CONVEYORS)**

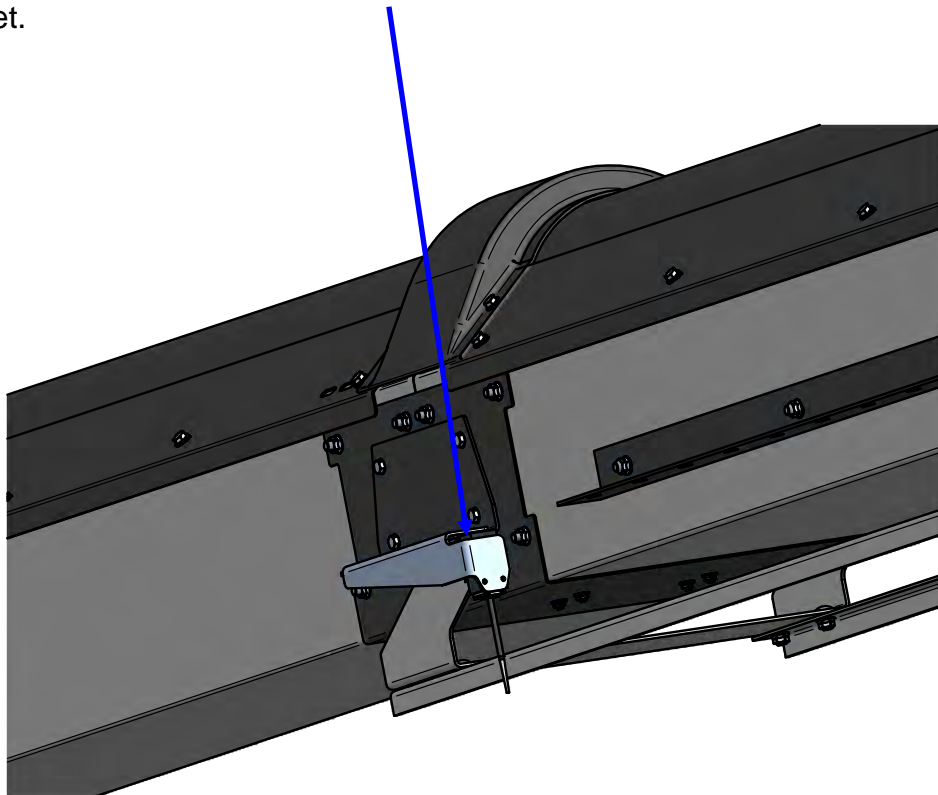


THE CONVEYOR SHOULD NEVER BE OPERATED WITHOUT THE LEVER STOP BRACKET AND COVER IN PLACE.



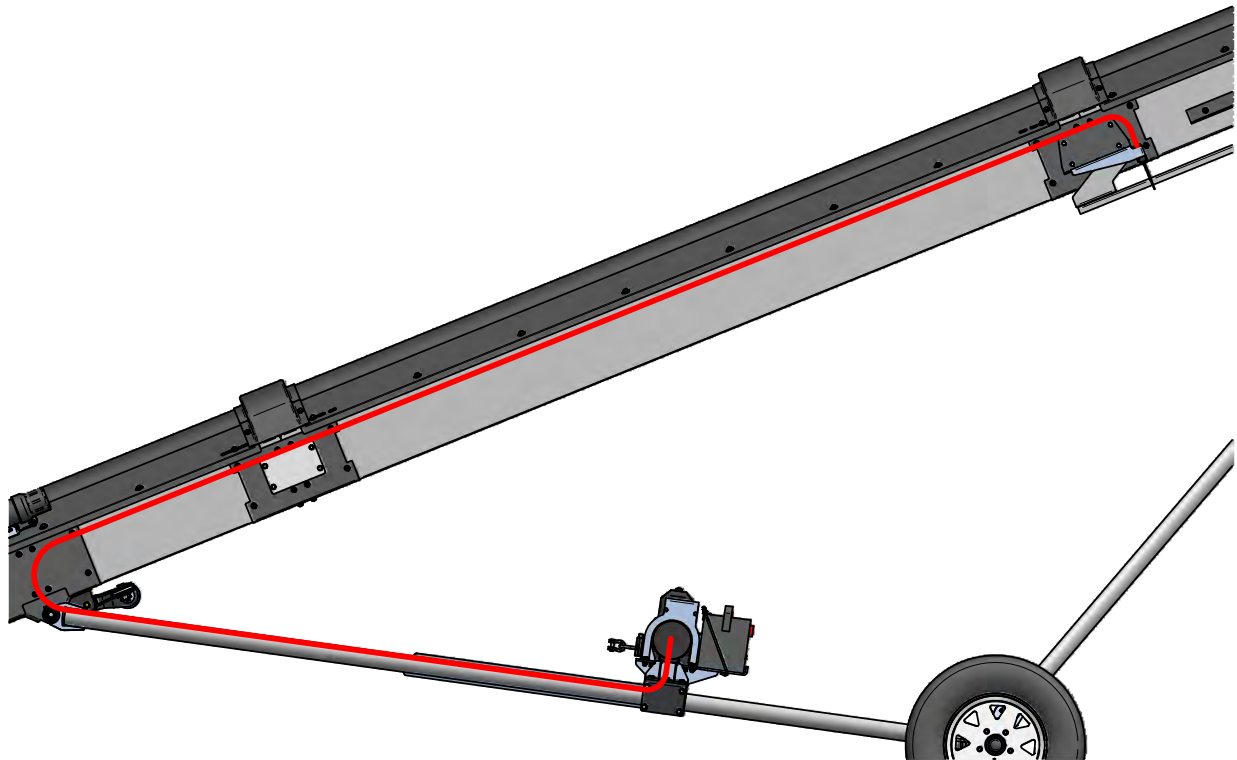
LE TRANSPORTEUR NE DOIT JAMAIS ÊTRE UTILISÉ SANS LE SUPPORT LEVIER STOP ET COUVERTURE EN PLACE.

12. Install the limit switch bracket and limit switch previously removed from the winch assembly. The bracket will mount using the existing hardware for the lower stop bracket.



**ELECTRIC WINCH AND CABLE KIT INSTALLATION (20 - 35 FT CONVEYORS)**

13. Route wiring for limit switch as shown below. Use the wire clamps provided in the kit to attach the cable as needed. Install pendant control to winch and make sure the battery connections are secure. Operate the winch to verify it is operating correctly. When lowering the conveyor, cease operation of the winch once the slide assembly makes contact with the upper stop to prevent the cable from unspooling.



**! CAUTION**

THE LIMIT SWITCH MUST BE ADJUSTED CORRECTLY TO PREVENT DAMAGE TO THE UNIT WHEN FULLY RAISED. ADJUST LIMIT SWITCH SO THAT WINCH WILL NO LONGER RAISE ONCE SLIDE CONTACTS STOP.

**! ATTENTION**

LA FIN DE COURSE DOIT ÊTRE RÉGLÉ CORRECTEMENT POUR EVITER D'ENDOMMAGE L'APPAREIL LORSQUE COMPLETEMENT LEVE. RÉGLER FIN DE COURSE POUR QUE WINCH NE SERA PLUS AUGMENTER UNE FOIS SLIDE CONTACTS STOP.

**ELECTRIC WINCH AND CABLE KIT INSTALLATION (40 - 45 FT CONVEYORS)**

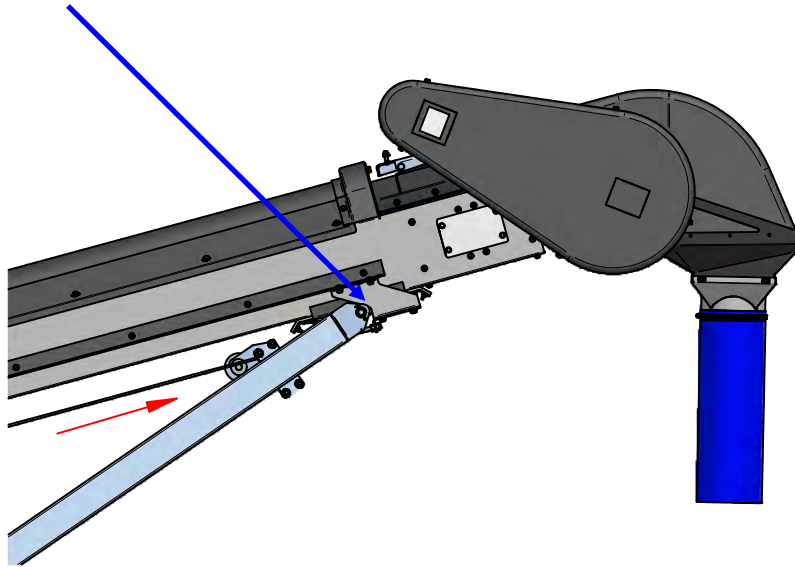
**NOTICE**

If electric winch kit was ordered at the same time as the conveyor, steps 1 through 4 will not be necessary.

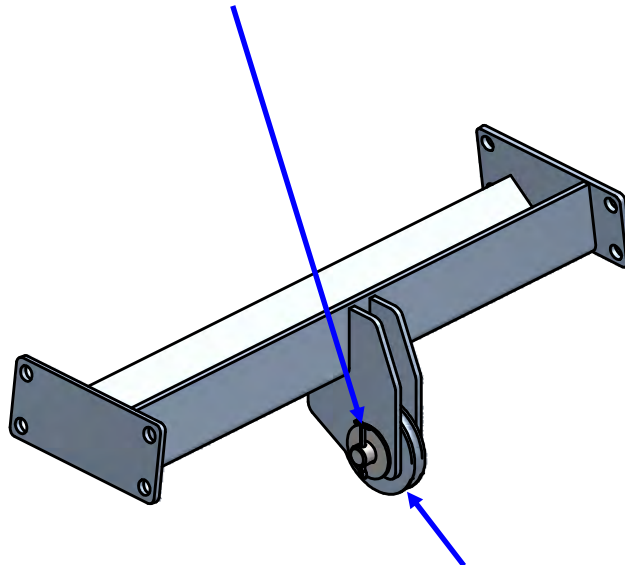
**AVIS**

Si le kit de treuil électrique a été commandé en même temps que le convoyeur, les étapes 1 à 4 ne sera pas nécessaire.

1. Lower conveyor until slide is against upper stop. When fully lowered winch cable should be slack.



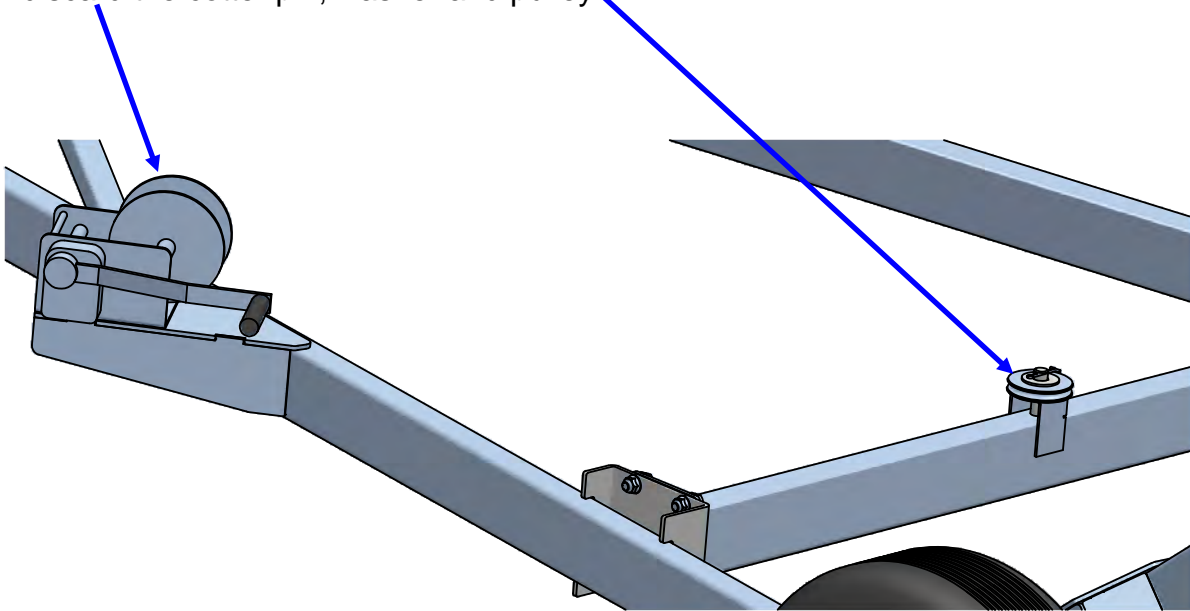
2. Once the cable is slack, remove cable clamps and cable from anchor.



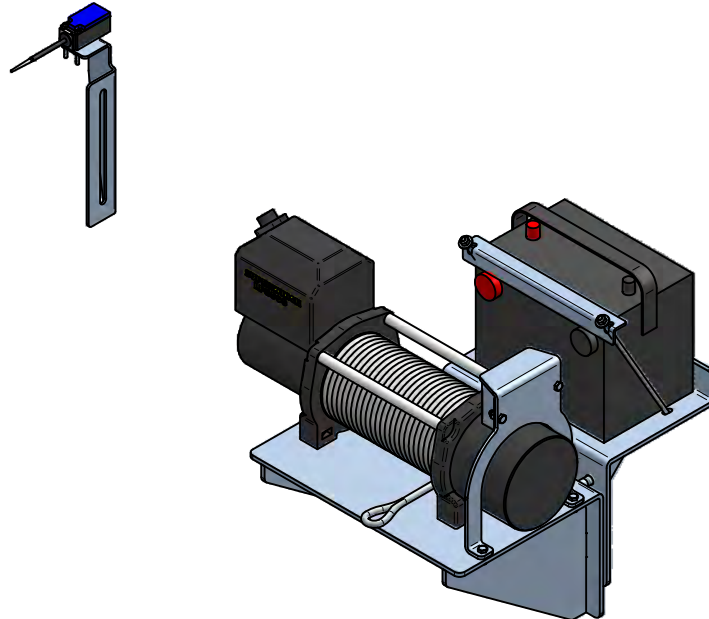
3. Remove cotter pin, pulley pin and the pulley from the upper cross member. Set pulley and pins aside for re-installation later.

**ELECTRIC WINCH AND CABLE KIT INSTALLATION (40 - 45 FT CONVEYORS)**

4. Remove and discard the four mounting bolts, winch and winch cable. Remove and discard the cotter pin, washer and pulley.

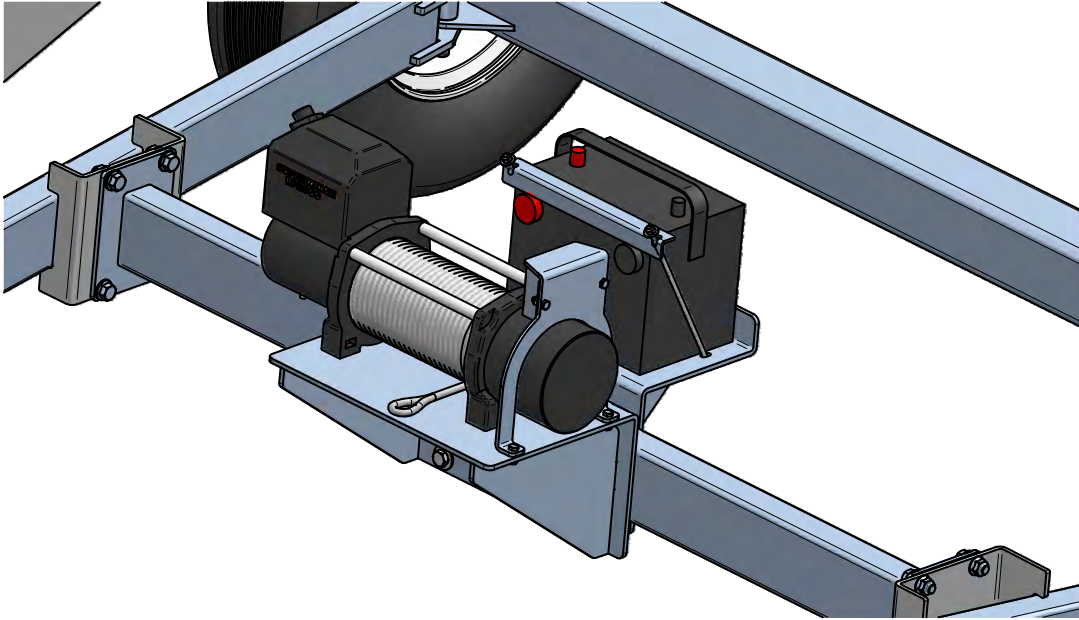


5. Remove the limit switch assembly and set aside. Remove the bottom two 1/2" nuts and bolts and set aside. Loosen the top two 1/2" fasteners far enough to allow the brackets to spread apart wide enough to slide over the undercarriage crossmember.

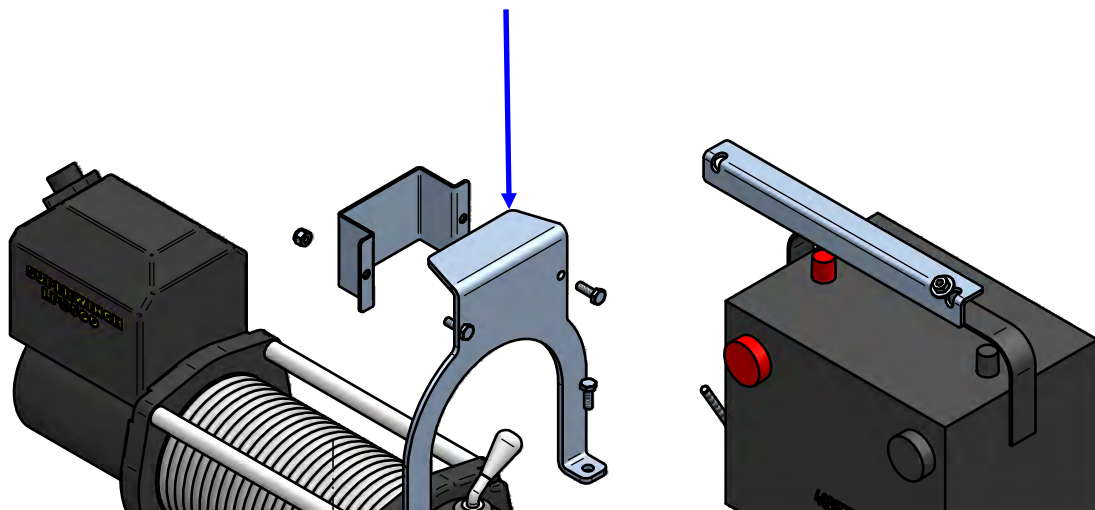


**ELECTRIC WINCH AND CABLE KIT INSTALLATION (40 - 45 FT CONVEYORS)**

6. Make sure the assembly is centered so the bracket cutouts clear the pulley mounting weldment. Insert the bottom fasteners. Do not fully tighten the hardware until both sides are positioned correctly, then tighten.



7. Remove the lever stop bracket from the winch assembly. This allows access to the clutch release lever on the winch. Rotate the lever to allow the spool to free wheel. Pull the cable out of the winch for routing through the pulleys.



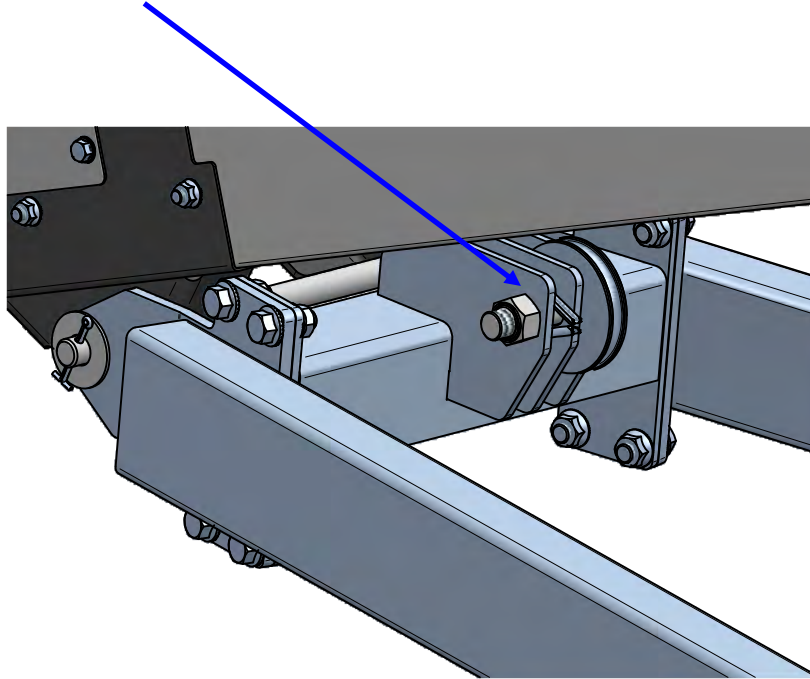
**ELECTRIC WINCH AND CABLE KIT INSTALLATION (40 - 45 FT CONVEYORS)**

8. Route the cable as shown on the view below in red. At each pulley, the cotter pin, clevis pin, and pulley must be removed. After placing the cable into the pulley bracket, re-install pulley and hardware capturing the cable. Run the cable from the winch through the bottom pulley, through the top pulley and back down to the anchor next to the bottom pulley.

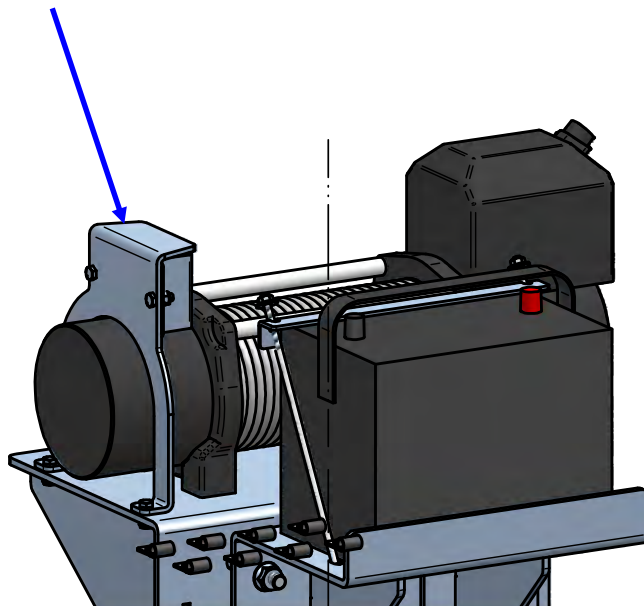


**ELECTRIC WINCH AND CABLE KIT INSTALLATION (40 - 45 FT CONVEYORS)**

9. Once the cable has been routed, use the shackle and cable clamps to attach the cable end to the anchor plate. Retain bottom pulley and cable anchor with nut and tighten as needed.



10. Rotate clutch release lever back into operating position. Re-install the lever stop bracket and tighten hardware.



**ELECTRIC WINCH AND CABLE KIT INSTALLATION (40 - 45 FT CONVEYORS)**

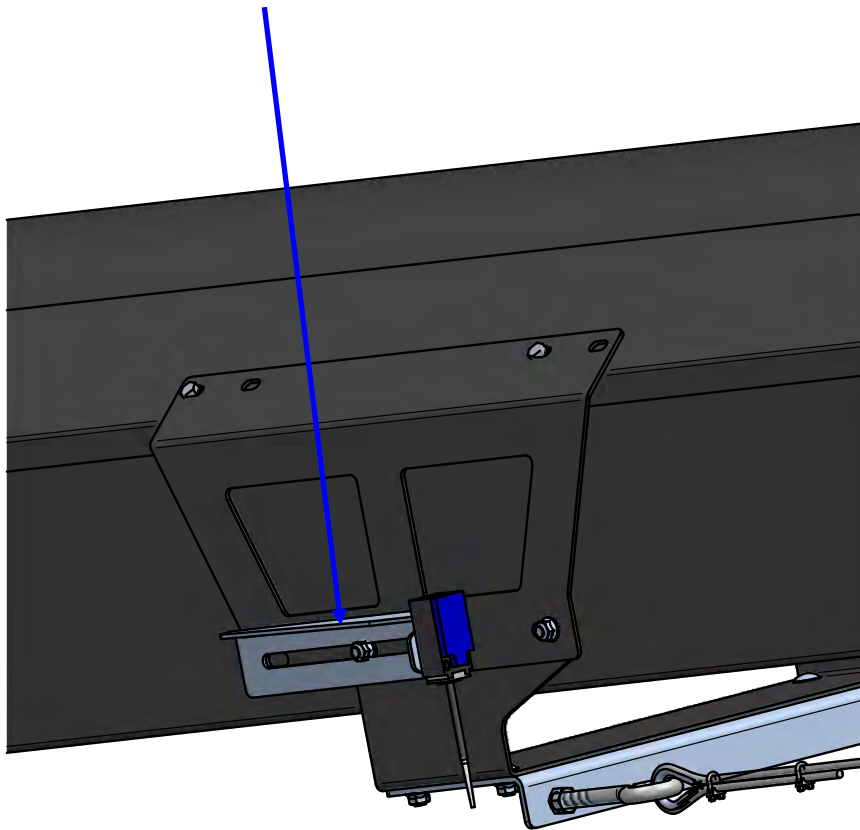


THE CONVEYOR SHOULD NEVER BE OPERATED WITHOUT THE LEVER STOP BRACKET AND COVER IN PLACE.



LE TRANSPORTEUR NE DOIT JAMAIS ÊTRE UTILISÉ SANS LE SUPPORT LEVIER STOP ET COUVERTURE EN PLACE.

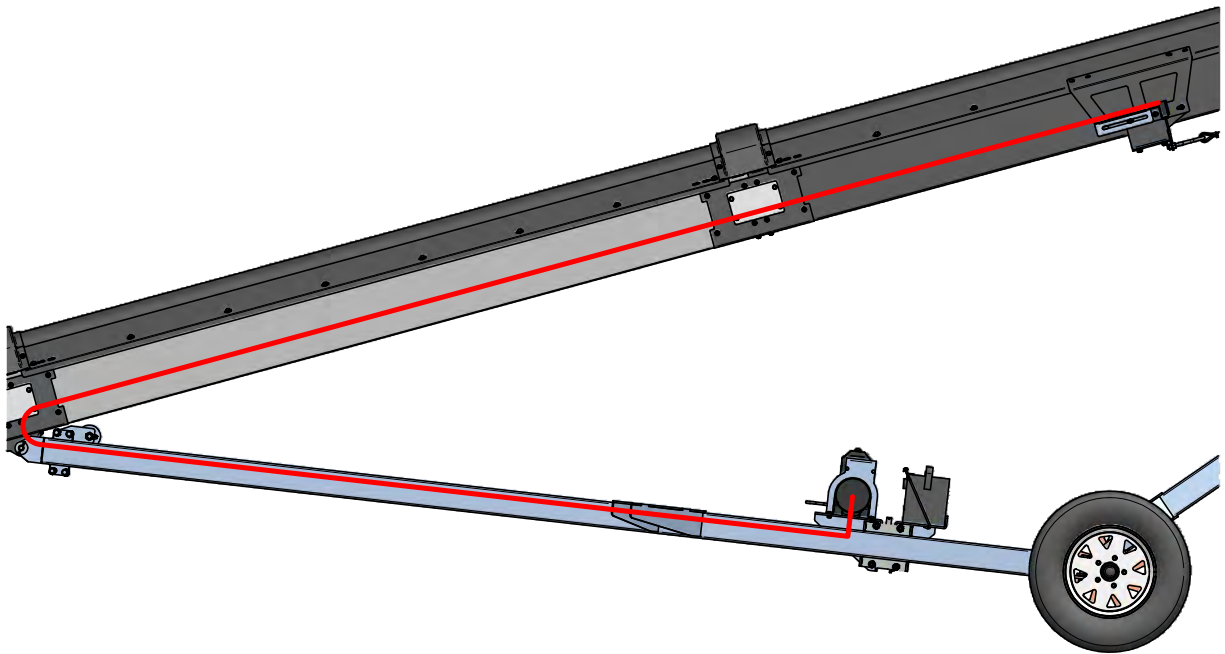
11. Install the limit switch bracket and limit switch previously removed from the winch assembly. The bracket will mount using the existing hardware for the lower stop bracket. The bracket is slotted to allow for switch adjustment.





**ELECTRIC WINCH AND CABLE KIT INSTALLATION (40 - 45 FT CONVEYORS)**

12. Route wiring for limit switch as shown below. Use the wire clamps provided in the kit to attach the cable as needed. Install pendant control to winch and make sure the battery connections are secure. Operate the winch to verify it is operating correctly. When lowering the conveyor, cease operation of the winch once the slide assembly makes contact with the upper stop to prevent the cable from unspooling.



**! CAUTION**

THE LIMIT SWITCH MUST BE ADJUSTED CORRECTLY TO PREVENT DAMAGE TO THE UNIT WHEN FULLY RAISED. ADJUST LIMIT SWITCH SO THAT WINCH WILL NO LONGER RAISE ONCE SLIDE CONTACTS STOP.

**! ATTENTION**

LA FIN DE COURSE DOIT ÊTRE RÉGLÉ CORRECTEMENT POUR EVITER D'ENDOMMAGE L'APPAREIL LORSQUE COMPLETEMENT LEVE. RÉGLER FIN DE COURSE POUR QUE WINCH NE SERA PLUS AUGMENTER UNE FOIS SLIDE CONTACTS STOP.

**SECTION  
C**

**MECHANICAL OPERATION**

### OPERATING SAFETY

<ol style="list-style-type: none"> <li>1. Read and understand the Operator's Manual and all safety signs before using.</li> <li>2. Electric motor drives: Disconnect and disable electrical supply completely and wait for all moving parts to stop before servicing, adjusting, repairing or unplugging.</li> <li>3. Clear the area of bystanders, especially children, before starting.</li> <li>4. Be familiar with machine hazard area. If anyone enters hazard areas, shut down machine immediately. Clear the area before restarting.</li> <li>5. Keep hands, feet, hair and clothing away from all moving and/or rotating parts.</li> <li>6. Do not allow riders on the Conveyor or transport vehicle when transporting.</li> </ol>	<ol style="list-style-type: none"> <li>7. Stay away from overhead obstructions and power lines during operation and transporting. Electro-cution can occur without direct contact.</li> <li>8. Do not operate machine when any guards are removed.</li> <li>9. Lower Conveyor to its lowest position before moving or transporting or when not in use.</li> <li>10. Inspect lift cable before using Conveyor. Replace if frayed or damaged.</li> <li>11. Make certain lift cable is properly seated in cable pulleys.</li> <li>12. Be sure that conveyor is empty before raising or lowering.</li> </ol>
--	--

The Tube Series Conveyor is designed to efficiently move seed between a storage facility or seed totes and a truck, trailer or seed treater. Power is provided by an electric motor. Be familiar with the machine before starting.

It is the responsibility of the owner or operator to read this manual and to train all other operators before they start working with the machine. In addition to the design and configuration of equipment, hazard control and accident prevention are dependent upon the awareness, concern, and prudence of personnel involved in the operation, transport, maintenance and storage of equipment or in the use and maintenance of facilities.

**NOTICE**

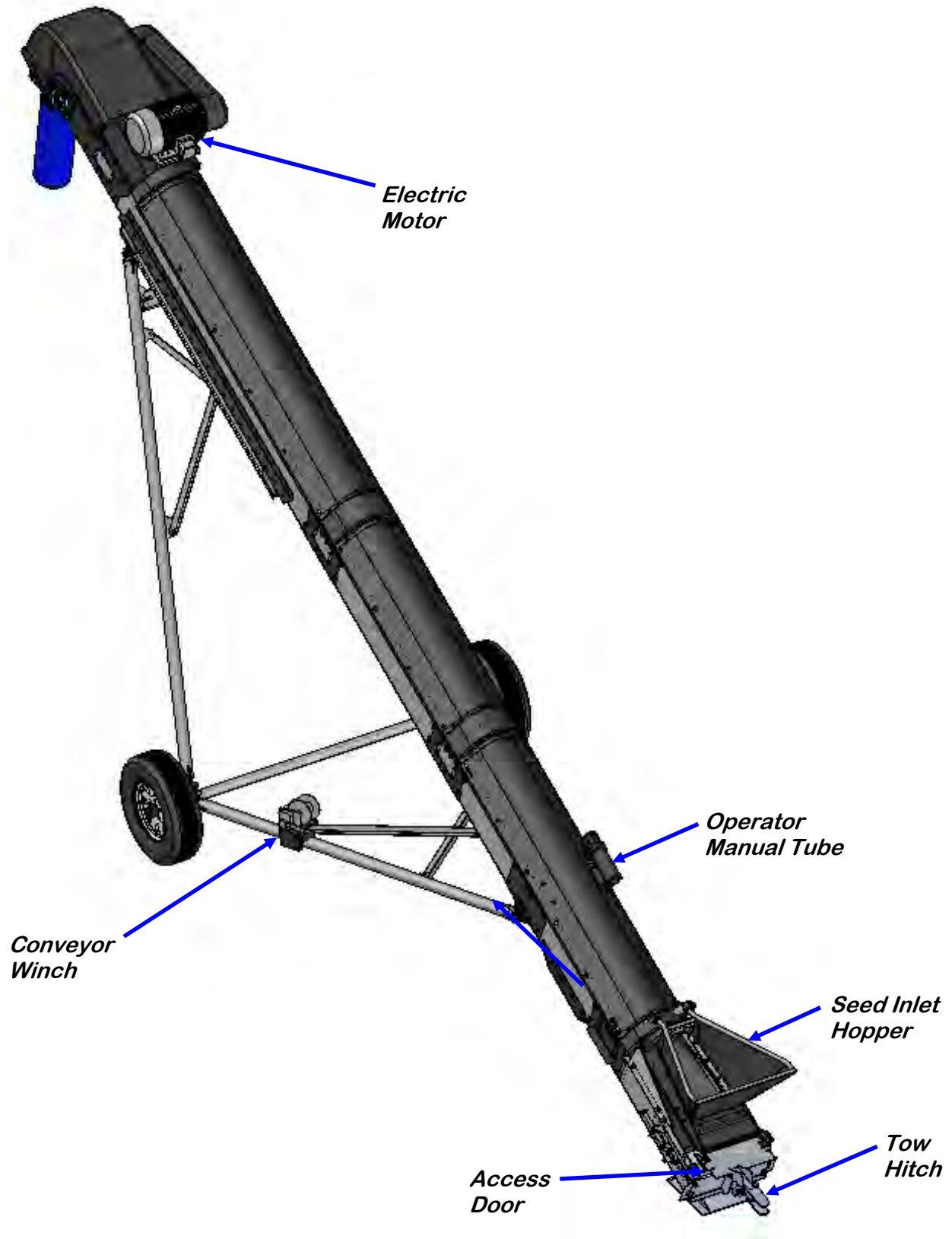
Follow all safety instructions exactly. Safety is everyone's business. By following recommended procedures, a safe working environment is provided for the operator, bystanders and the area around the worksite. Untrained operators are not qualified to operate the machine.

**AVIS**

Suivez toutes les instructions de sécurité à la lettre. La sécurité est l'affaire de tous. En suivant les procédures recommandées, un environnement de travail sécuritaire pour l'opérateur, les passants et la zone autour du chantier. Opérateurs non formés ne sont pas qualifiés pour faire fonctionner la machine.

Many features incorporated into this machine are the result of suggestions made by customers like you. Read this manual carefully to learn how to operate the machine safely and how to set it to provide maximum efficiency. By following the operating instructions in conjunction with a good maintenance program, your conveyor will provide many years of trouble free service.

**SYSTEM OVERVIEW**



### **CONTROLS**

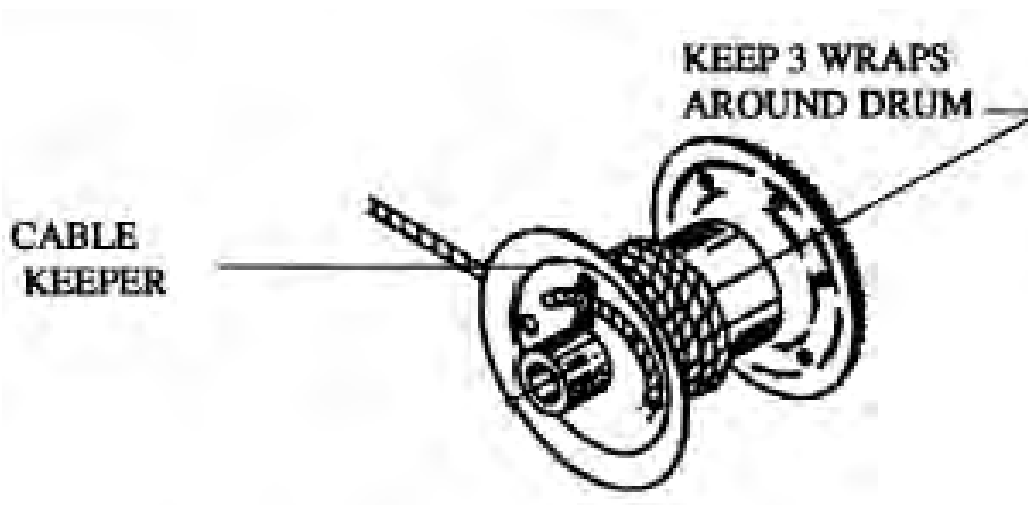
- **Electric Drive:** Have a licensed electrician provide power to the motor per the National Electrical Code ANSI/NFPA 70 and local codes. Install an ON, OFF switch for the convenience of the operator.
- **Manual Winch:** A winch is located on the transport frame and is used to raise and lower the conveyor. Turn the handle clockwise to raise and counterclockwise to lower.

#### **⚠ WARNING**

Maintain at least 3 wraps of cable on the drum at the maximum reach. The drum cable clamp is not designed to hold load.

#### **! AVERTISSEMENT**

Maintenir au moins trois enroulements de câble sur le tambour à la portée maximale. Le serre-câble de batterie ne est pas conçu pour tenir la charge.



## **PRE-OPERATION CHECKLIST**

Efficient and safe operation of the Tube Series Conveyor requires that each operator reads and understands the operating procedures and all related safety precautions outlined in this section. A pre-operation checklist is provided for the operator. It is important for both the personal safety and maintaining the good mechanical condition of the Conveyor that this checklist is followed.

Before operating the Conveyor and each time thereafter, the following areas should be checked off:

1. Service the machine per the schedule outlined in Section F, Maintenance (Page 66).
2. Use only an electric motor of adequate power to operate the machine.
3. Check that all guards are installed, secured and functioning as intended. Do not operate with missing or damaged shields.
4. Check worksite. Clean up working area to prevent slipping or tripping.
5. Check winch and cable for security and operation. There should be at least 3 complete wraps of cable around winch drum in full down position. Cable anchor on winch drum must be tight. Inspect cable for fraying or damage and replace if damaged or frayed.
6. Check that cable clamps are secure.
7. Check that drive belt and conveying belt are not frayed or damaged and that they are properly adjusted and aligned.
8. Be sure Conveyor wheels are chocked.
9. Check that discharge and intake areas are free of obstructions.

### **! WARNING**

Anchoring and / or support of Conveyor during operation is necessary. When the lower half of Conveyor empties of material, the weight balance transfers to the upper end of the machine, which can cause upending.

### **! AVERTISSEMENT**

Ancrage et / ou le soutien de convoyeur pendant le fonctionnement est nécessaire. Lorsque la partie inférieure de convoyeur se vide de matière, les transferts de solde en poids à l'extrémité supérieure de la machine, ce qui peut provoquer bouleversant.

## **CONVEYOR SET-UP**

The following steps outline the initial set-up of your Tube Series Conveyor:

1. Clear the area of bystanders, especially small children, before starting.
2. Be sure there is enough clearance from overhead obstructions and power lines or other equipment to move the machine into its working position.
3. Attach the Conveyor to an appropriate towing vehicle.
4. Move conveyor as near as possible to desired position.
5. Set the park brake on the towing vehicle before dismounting.
6. Unhook the unit from the towing vehicle.
7. Use the winch to raise the machine so it clears the truck, trailer or wagon.
8. Place chocks in the front and rear of each wheel.
9. It will be necessary to stake or weight the intake end to prevent upending when the machine is emptying.
10. Review the Workplace Safety Diagram for your model prior to starting work. Follow all setup instructions and do not allow any unauthorized people into the working area.
11. Have a certified electrician provide power to the conveyor. Provide convenient shutdown switches and comply with local electrical codes. The conveyor may also be plugged directly into a USC seed treater control panel.



Ensure that the seed treater panel and the conveyor are rated for the same power before plugging the conveyor into the seed treater panel.



Assurez-vous que le panneau de traitement des semences et le convoyeur sont prévus pour la même puissance avant de brancher le convoyeur dans le panneau de traitement des semences.

12. Reverse the above procedure when removing the machine from its working position.

## OPERATION

When using the conveyor, follow this procedure:

1. Clear the area of bystanders, especially small children, before starting.
2. Review the Pre-Operation Checklist (see page 54) before starting.
3. Review the Workplace Hazards schematic and use extra care when inside the hazard area. Keep all bystanders out of this area. Should anyone enter this area, stop the machine immediately.
4. Set the conveyor in position. To achieve rated capacity, the conveyor should be run **no steeper than 40°**. Molded flights on the belt minimize material rollback during operation.
5. Drive or back the truck or wagon into position for unloading.
6. Turn the electric motor ON and begin the flow of material and unload.
7. To stop the conveyor; stop the flow of material and run until the belt is empty. Turn off motor and lock out power source.

## **OPERATIONAL HINTS**

- **USC strongly recommends not using the conveyor at or below freezing temperatures. If you do, use the following start-up procedure:**
  1. Turn the conveyor ON and OFF several times to bump the conveyor belt. If any ice has formed on or around the belt, this should break the belt free. If the belt does not move, wait for the outside temperature to increase.
  2. Once the belt is moving freely, let it run for 4 or 5 minutes to allow it to warm up.
  3. At the end of the warm-up period, verify that the belt has the correct tension and is aligned properly. If it is not, follow the tension and alignment instructions outlined in the Maintenance Section to make the necessary adjustments (see page 66).
  4. The hydraulic oil in the electric powered lift assembly may need to be heated prior to lifting the bin fill conveyor. Freezing temperatures will increase the fluids viscosity requiring additional force to drive the hydraulic piston. This will increase the amperage load of the motor and possibly cause it to trip the motor starter overload.
- Direct the flow of material into the inlet hopper when moving material. Do not “flood feed” the inlet hopper.
- Always listen for any unusual sounds or noises. If any are heard, continue to run for a short time to allow any material to clear from the conveyor. If you still hear the sound, stop the machine and determine the source. Correct the problem before resuming work.
- Never allow anyone into the workplace hazard area. If anyone enters, stop immediately. Make them LEAVE before resuming work.
- Do not run the machine for long periods of time with no material on the belt. It increases the wear. Try to run the conveyor only when moving material.
- Do not support the discharge end directly on the bin, truck box, trailer or wagon. Stake the intake (hopper) or weight it down to prevent upending.
- Use a Truck Unload Conveyor or similar conveyor to move grain from under the bin discharge into the bin fill conveyor hopper when emptying low clearance facilities.

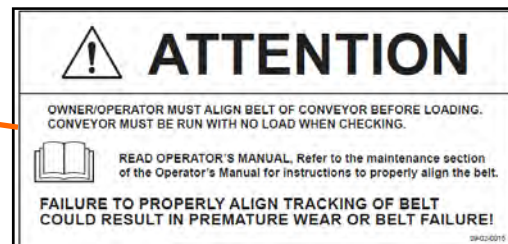
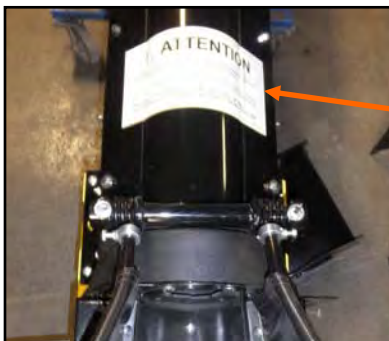


## **MACHINE BREAK-IN**

Although there are no operational restrictions on the Conveyor when used for the first time, it is required that the following mechanical items be checked. A small amount of rubber flashing from the conveyor belt may be present during initial belt break-in period. This is part of the normal break-in process.

### **BEFORE STARTING**

1. Read the Conveyor Operator's Manual.
2. **During the conveyors first few minutes of operation, before any seed is run through, it is essential that the operator check conveyor belt tension and alignment and make any necessary adjustments (see pages 75 - 77).**



Part # 09-02-0016

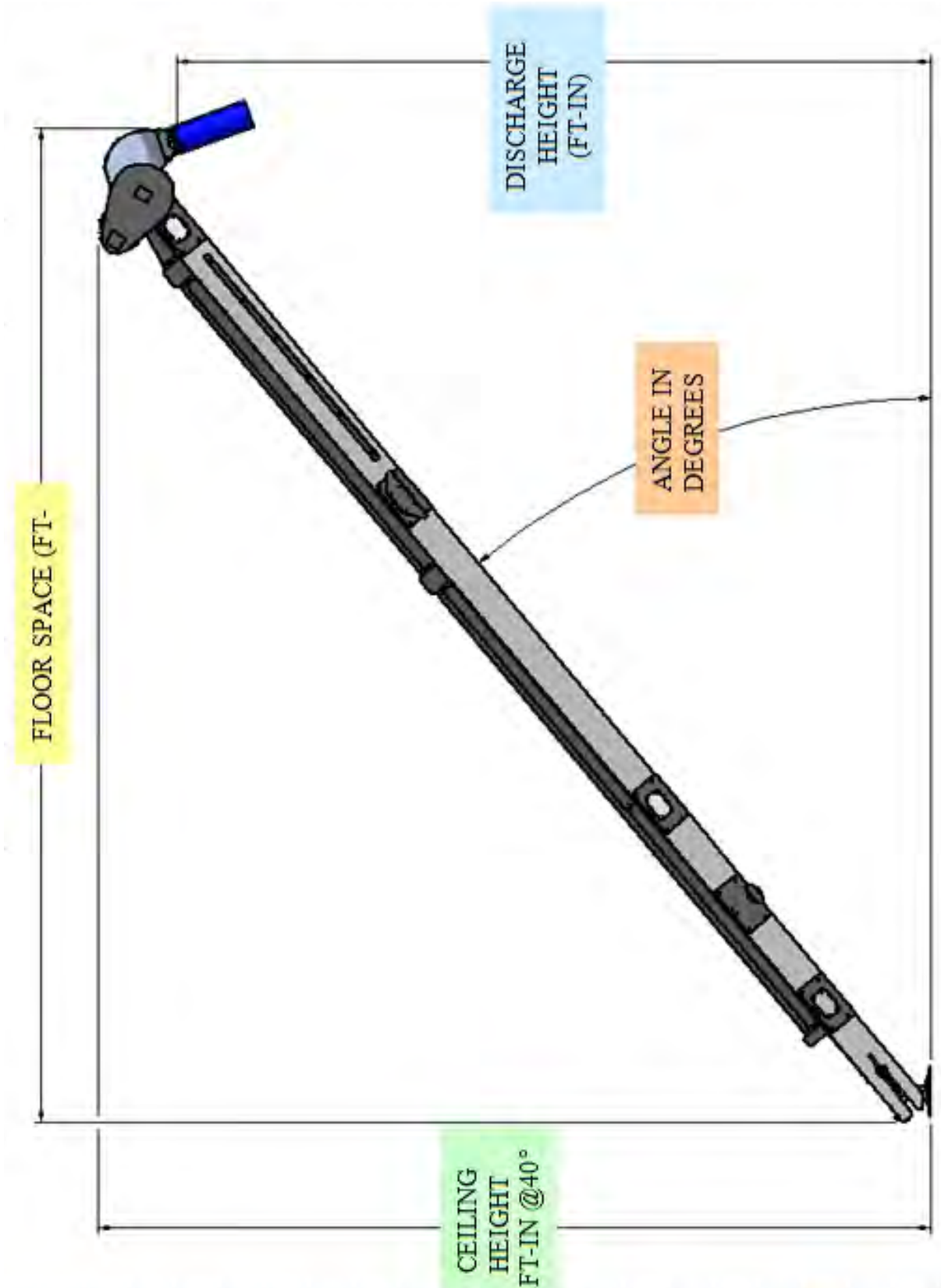
### **AFTER OPERATING OR TRANSPORT FOR 1/2 HOUR**

1. Re-torque all the wheel bolts.
2. Re-torque fasteners and hardware.
3. Check that all safety decals are installed and legible. Apply new decals if required.
4. Check the drive belt tension and alignment. Tension or align as required.
5. Check the conveying belt tension and alignment. Tension or align as required.
6. Check that all guards are installed and working as intended.

### **AFTER OPERATING FOR 5 HOURS AND 10 HOURS**

1. Re-torque all wheel bolts, fasteners and hardware.
2. Check that all guards are installed, secured and functioning as intended. Do not operate with missing or damaged shields.
3. Check safety decals. Install new ones if required.
4. Check the drive belt, and conveying belt tension and alignment. Tension or align as required.
5. Then go to the normal servicing and maintenance schedule as defined in the Maintenance Section.

**STRUCTURAL ENVELOPE**



TUBE SERIES 2500 CONVEYOR

Conveyor Lengths	Angle in Degrees				
	26°	28°	30°	32°	34°
20	N/A	N/A	N/A	10	10-8
	N/A	N/A	9-5	18-8	17-1
	N/A	N/A	11-8	12-3	13-10
25	N/A	10-4	11-11	12-8	13-5
	N/A	24-6	23-4	22-11	22-6
	N/A	12	14-2	14-11	15-7
30	9-7	11-6	14-5	15-4	16-3
	29-10	29-1	28-2	27-2	26-7
	12-2	14-1	15-10	17-7	18-5
35	11-3	13-7	16-11	18	19
	34-6	33-8	32-7	31-5	30-9
	13-11	15	18-2	20-2	21-2
40	13	15-7	19-5	20-8	21-10
	39-3	38-2	37	35-8	34-11
	15-7	16-10	20-6	22-10	24
45	14-8	17-8	21-11	23-3	24-7
	43-11	42-9	40-8	39-11	39-1
	17-4	18-9	22-11	25-6	26-9

\* ALL DIMENSIONS ROUNDED DOWN TO NEAREST INCH  
 \*\* N / A - INFORMATION NOT AVAILABLE

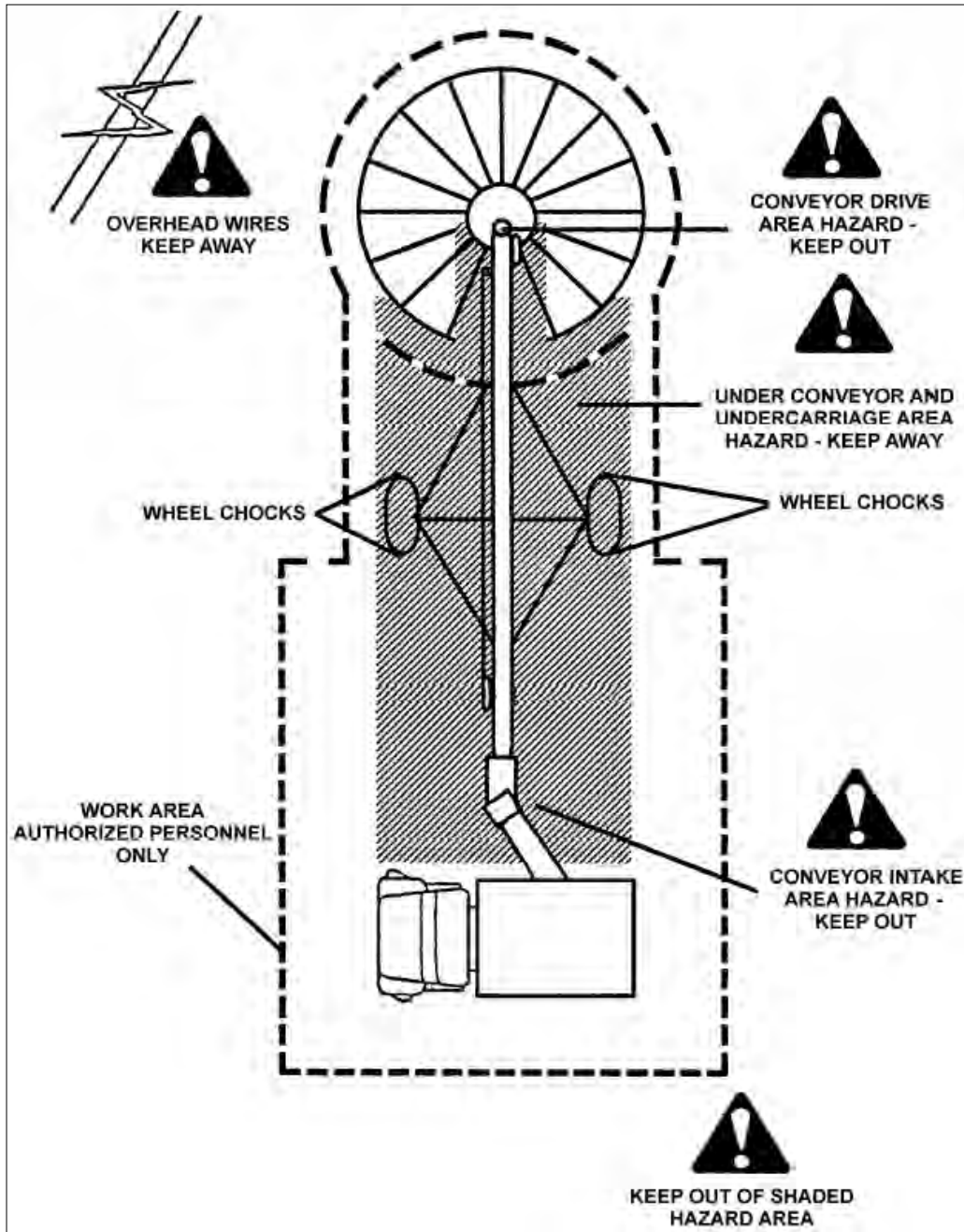


### **EMERGENCY STOPPING**

Although it is recommended that the machine be emptied before stopping, in an emergency situation, stop or shutdown the power source immediately. Correct the emergency before resuming work.

### **RESTARTING**

When the machine is shut down inadvertently or for an emergency, the belt may still be covered with material. It may be necessary to tighten the drive belt slightly to handle the heavier-than-normal starting loads.



**ATTACHING AND UNHOOKING**

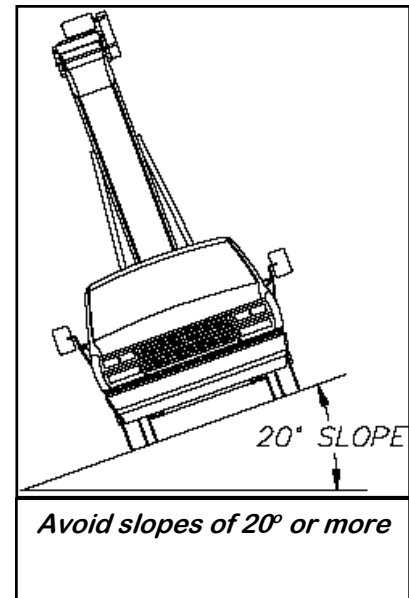
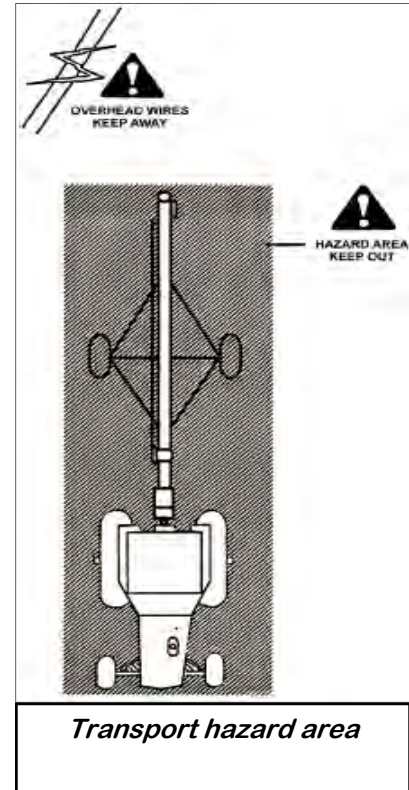
It is recommended that the Tube Series Conveyor be attached to an appropriate towing vehicle whenever it is moved. Follow this procedure when attaching to or unhooking from a towing vehicle:

1. Make sure that bystanders, especially small children, are clear of the working area.
2. Be sure the conveyor wheels are chocked.
3. Be sure that there is sufficient room and clearance to back up to the machine.
4. Align the drawbar of the towing vehicle with the hitch of the Conveyor while backing up.
5. Set the park brake before dismounting.
6. Lower conveyor to lowest position.
7. Place hitch pin on conveyor to the lowest hole.
8. Align the hitch to the drawbar and install a hitch pin with a retainer (not supplied).
9. Remove chocks from machine wheels.
10. Move to new location.
11. Reverse the above procedure when unhooking.
12. Removal of the most forward pin will allow the conveyor to pivot on to the hitch plate so the hitch plate can be used as a base.

## TRANSPORTING

The Tube Series Conveyors are designed to be easily and conveniently moved from place to place. When transporting, follow this procedure:

1. Review the Transport Safety Schematic before starting.
2. Be sure all bystanders are clear of the machine.
3. On electric motor drive units, unplug the power cord, wrap around frame, and secure to prevent dragging.
4. Attach to a towing vehicle using a hitch pin with a retainer.
5. Remove chocks from the wheels.
6. Lower the conveyor into its fully down position so that the cross tube rests on the stop plate.
7. Electrocutation can occur without direct contact.
8. Never go across slopes of more than 20°. It is better to go straight up or straight down a slope.
9. Make sure the SMV (Slow Moving Vehicle) emblem and all the lights and reflectors that are required by the local highway and transport authorities are in place, are clean, and can be seen clearly by all overtaking and oncoming traffic.
10. Keep to the right and yield the right-of-way to allow faster traffic to pass. Drive on the road shoulder, if permitted by law.
11. It is not recommended that the machine be transported faster than 25 mph (40 km/h).
12. Do not allow riders on the machine or towing vehicle.
13. During periods of limited visibility, use pilot vehicles or add extra lights to the machine.
14. Always use hazard flashers on the vehicle when transporting unless prohibited by law.



**TROUBLESHOOTING****SECTION  
E**

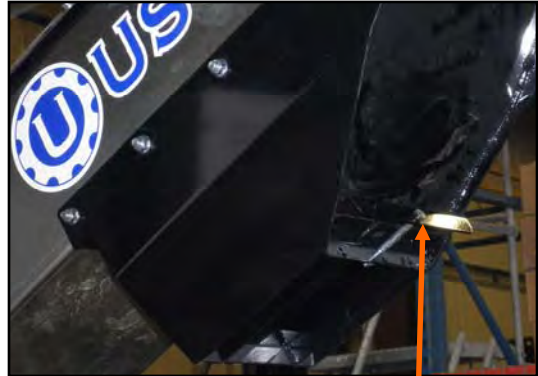
Below is a table describing the most frequent problems and solutions with the Tube Series Conveyor. For further assistance, contact your local USC at (785) 431-7900.

Problem	Possible Cause	Solution
Conveyor will not run.	<ol style="list-style-type: none"> <li>1. Not turned on.</li> <li>2. Conveying belt loose.</li> <li>3. Drive belt loose.</li> </ol>	<ol style="list-style-type: none"> <li>1. Start power source or turn on power.</li> <li>2. Tighten and align belt.</li> <li>3. Tighten drive belt.</li> </ol>
Belt edge fraying.	<ol style="list-style-type: none"> <li>1. Belt not aligned.</li> </ol>	<ol style="list-style-type: none"> <li>1. Align and tension belt.</li> </ol>
Low conveying capacity.	<ol style="list-style-type: none"> <li>1. Angle too steep.</li> <li>2. Slow operating speed.</li> <li>3. Conveyor belt slipping.</li> <li>4. Drive belt slipping.</li> </ol>	<ol style="list-style-type: none"> <li>1. Reposition with angle at 30°.</li> <li>2. Increase operating speed.</li> <li>3. Tighten belt.</li> <li>4. Set drive belt tension.</li> </ol>

## **UNPLUGGING**

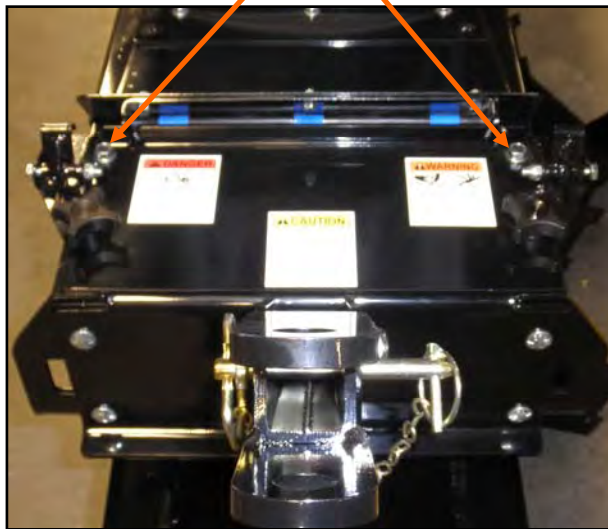
In unusual moisture or material conditions, the machine can plug. When unplugging, follow this procedure:

1. Place all controls in neutral or off, stop motor, disable and lock out power source before unplugging.
2. Remove the nut, bolt and sliding clean out door from the bottom of the inlet tube section of the conveyor. Remove any built up material. Reinstall door and hardware.
3. Open the tail cover (below).
4. Remove plugged material.
5. Install and secure conveyor and tail covers.



*Sliding Clean Out Door*

*Remove shipping bolts  
after receiving  
conveyor*



*Bottom clean-out cover*



*Bottom clean-out cover removed*



# MAINTENANCE

## SECTION F

Proper maintenance of the Tube Series Conveyors is critical for peak performance, reliability and accuracy of this system. The following is a guideline for the type of maintenance and servicing that should be performed on this unit. Your environment and uses may require additional maintenance and service beyond this list to assure a reliable and safe unit. The operator of this unit has ultimate responsibility to identify areas of concern and rectify them before they become a hazard or safety issue. There is no substitute for a trained, alert operator.



Do not put this unit into operation with any questionably maintained parts. Poor performance or a hazard may occur.



Ne pas mettre cet appareil en service avec des pièces douteuse entretenus. La mauvaise performance ou un danger peut survenir.



Do not use compressed air or water under pressure to clean any of the components of the USC equipment.



Ne pas utiliser d'air comprimé ou de l'eau sous pression pour nettoyer l'un des composants de l'équipement USC.



Failure to maintain the proper belt tension will cause the belt to slip. This will damage the belt and head drive pulley. If the belt is not tracking correctly, it can ride along one edge causing the belt to fray and damage the belt splice. Either problem will cause the belt to burn or wear out prematurely.



Défaut de maintenir la tension de la courroie provoquera la courroie de glisser. Cela pourrait endommager la courroie et la tête d'entraînement pulley. Si la courroie ne suit pas correctement, il peut rouler le long d'un bord causant la courroie effiloche et endommager l'épissure de ceinture. Soit problème provoquera la ceinture de brûler ou d'usure prématurée.

## **GREASING**

Use an SAE multipurpose high temperature grease with extreme pressure (EP) performance. Also acceptable is an SAE multipurpose lithium-based grease.

- Use a Maintenance Checklist to keep record of all scheduled maintenance.
- Use a hand-held grease gun for all greasing.
- Wipe grease fitting with a clean cloth before greasing to avoid injecting dirt and grit.
- Replace and repair broken fittings immediately.

## **Storing Lubricants**

Your machine can operate at top efficiency only if clean lubricants are used. Use clean containers to handle all lubricants. Store them in an area protected from dust, moisture and other contaminants.

### **NOTICE**

If fittings will not take grease, remove and clean thoroughly. Also clean lubricant passageway. Replace fitting if necessary.

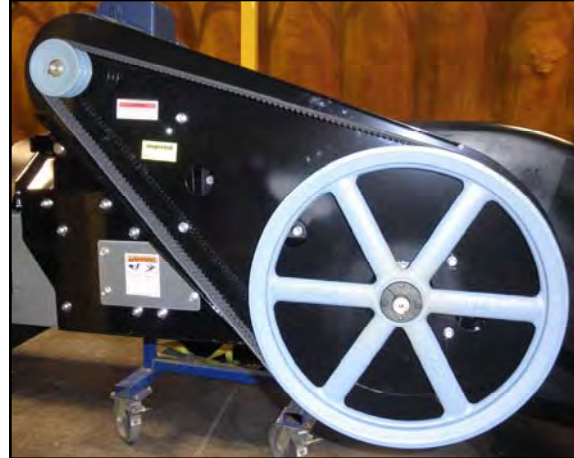
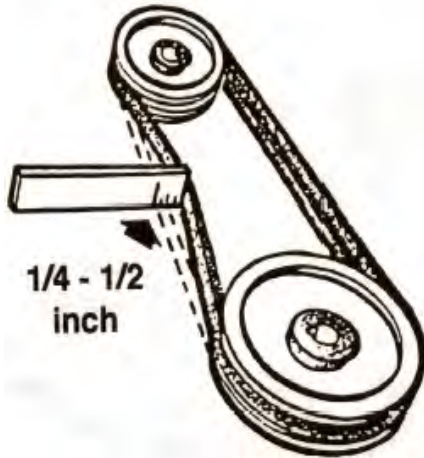
### **AVIS**

Si les raccords ne prendront pas la graisse, enlever et nettoyer. Aussi propre passage de lubrifiant. Remplacer approprié si nécessaire .

## **CONVEYOR SERVICING INTERVALS**

### **Every 40 hours or Weekly**

1. Check the conveyor belt tension and alignment.
2. Grease conveyor bearings.
  - A. Two bolt flanged bearings, tail roller bearings right and left (2 locations).
  - B. Two bolt flanged bearings, drive roller bearings right and left (2 locations).
3. Remove guard and check the drive belt tension and alignment. The belts will deflect approximately 1/4 to 1/2 inch when properly tensioned.
4. Wipe down the motor casing with a damp cloth making sure to remove all dust that may have collected since the last maintenance date. Record the cleaning on the company required documents. If operating in a CSA 22.1, Class II, Division 2, Group G hazardous area, USC recommends this step be performed on a daily basis.
  - Essuyez le carter moteur avec un chiffon humide en veillant à éliminer toutes les poussières qui peuvent avoir perçu depuis la dernière date de maintenance. Enregistrez le nettoyage sur la société les documents requis. Si opérant dans un CSA 22.1, Classe II, Division 2, Groupe G zone dangereuse, USC recommande cette étape être effectuée sur une base quotidienne.



**Every 200 hours or Annually**

1. Repack wheel bearings.
2. Wash machine.
3. Check pulley bushing for wear. To inspect pulley:
  - A. Lower the conveyor to its lowest position.
  - B. When the conveyor has reached the lowest position, it will stop at the pins.
  - C. Unwind the winch two more turns, or until enough slack in the cable is achieved.
  - D. Loosen and remove the bolt.
  - E. Inspect the bushing on the pulley for wear.
  - F. Reverse steps A-D for re-assembly.

**CONVEYING BELT TENSION AND ALIGNMENT - TAIL END**

A contoured belt with molded flights is used to convey material along the frame. The tension and alignment of the belt should be checked weekly, or more often if required, to be sure that it does not slip or run to one side. A properly tensioned belt will not slip when it is operating. Operating the belt with less slippage will increase the belt life and causes less stress on bearings, pulleys and shafts.

**⚠ WARNING**

Although it is acceptable to align the belt from either the Head or the Tail (Intake) end. Tightening the belt may only be done from the Tail end of the conveyor.

**! AVERTISSEMENT**

Même se il est acceptable d'aligner la courroie de la tête ou la queue (Intake) fin. Serrer la ceinture ne peut être fait à partir de la fin de queue du convoyeur.

## CONVEYING BELT TENSION AND ALIGNMENT - TAIL END

To maintain the belt, follow this procedure:

### NOTICE

Place all controls in neutral or off, stop motor and disable power source before working on belt.

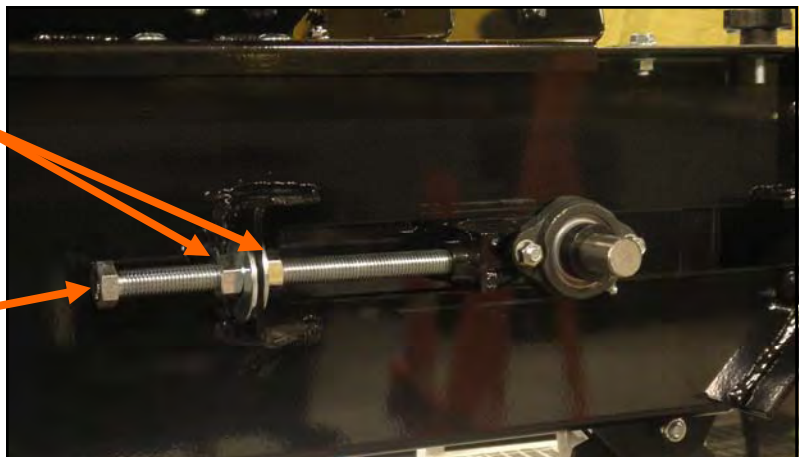
### AVIS

Placez toutes les commandes au point mort ou hors tension, arrêtez le moteur et désactivez la source d'alimentation avant de travailler sur la ceinture.

1. Use the take-up bolt located at the tail to set the tension of the belting.
2. If the belt needs to be tightened to prevent slippage, use the take-up adjustments on the tail end only.
3. The belt is tightened by turning both take-up adjustments an **equal** number of turns.
4. Use the drive roller to check the alignment. The belt should be centered.
5. Turn the belt 1/2 revolution when the belt is new and check the drive and tail roller. If out of alignment, the belt will move to the loose side. Loosen the jam nut and use the bearing position bolts to set the position. Tighten jam nut.
6. Run and check again. Check frequently during the first few minutes of operation and then several times during the first 10 hours. The belt normally seats itself during the first 10 hours of operation and can be checked weekly after that.
7. The belt is properly aligned when the belt runs in the center of the head and tail rollers.

*Loosen these jam nuts before adjusting the bearing position bolt*

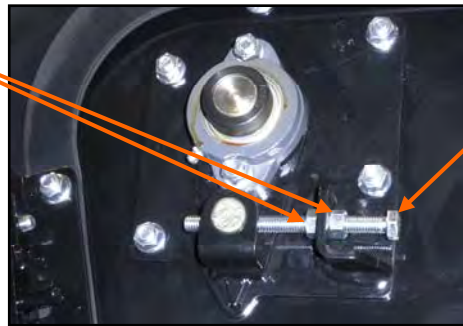
*Use this bolt to tighten and align the belt*



## **CONVEYING BELT ALIGNMENT - HEAD END**

1. A misaligned belt will track toward the loose side. Set the tracking by loosening the bearing mounts on the tight side and using the bearing position bolt to move the end of the head roller toward the tail. Tighten the bearing mount when the belt is centered on the head roller.
2. Run the belt and check the tracking again. Loosen the tight side slightly again if required. Repeat the adjusting and checking procedure until the belt centers on the inlet end roller and remains centered when running.
3. Always repeat this aligning procedure when installing a new belt. Check frequently during the first 10 hours of operation. After 10 hours, the belt is normally seated and checking the alignment can be done less frequently.

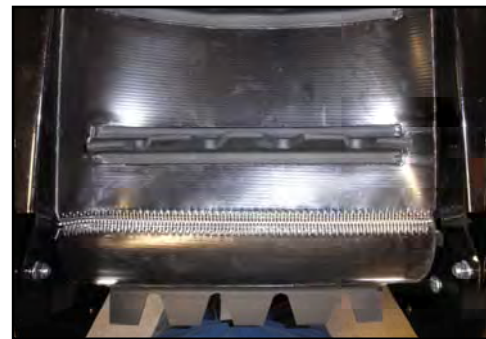
*Tighten jam nuts  
after adjustment*



*Use this bolt to  
align the belt*

## **BELT REPLACEMENT**

1. Rotate the belt until the seam is visible.
2. Move the tail roller to its loosest position.
3. Pull all the slack to the seam area.
4. Remove the wire connector and open the belt.
5. Attach one end of the replacement belt to the belt end being removed.
6. Pull the old belt out and the new belt will be threaded into place.
7. Disconnect the old belt.
8. Connect the ends of the new belt together and secure.
9. Set the belt tension.
10. Check and set the belt alignment



*Belt Seam*



*Check Alignment*

## **DRIVE BELT TENSION & ALIGNMENT**

Power to the conveying belt is transmitted through a V-belt. The V-belt drive system must be maintained at the proper belt tension and pulley alignment to obtain the desired performance and life. When maintaining the belt drive system for the electric drive model, follow this procedure:

### **NOTICE**

Turn motor off and unplug power cord or turn off power and lock out the master panel before starting maintenance on drive belt system.

### **AVIS**

Arrêter le moteur et débranchez le cordon d'alimentation ou coupez l'alimentation et verrouiller le panneau de maître avant de commencer la maintenance sur le système de courroie

### **Drive Belt Tension**

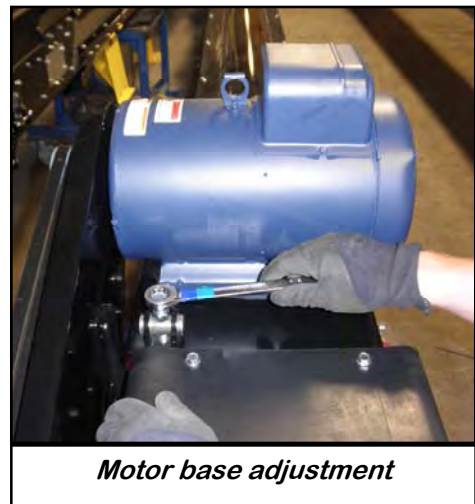
1. Push on the center of the belt span with a force of approximately 5 to 10 lbs.
2. Follow the belt tensioning specification on page 79 to determine proper belt deflection.
3. Move the motor up, using the adjustment bolt, to set drive belt tension (right).
4. Close and secure guards.

### **Drive Belt Alignment**

1. Lay a straightedge across the pulley faces to check the alignment (right).
2. Use the pulley hub or the motor mounting plate slots to move the pulley to the required position for alignment.
3. Tighten hub bolts to secure pulley on shaft.
4. Check belt tension
5. Close and secure guards.

### **Drive Belt Replacement**

1. Lower motor to its lowest position.
2. Remove old belt and replace with a new one.
3. Raise motor to set the belt tension.
4. Check pulley alignment. Adjust if required.
5. Close and secure guards.



*Motor base adjustment*

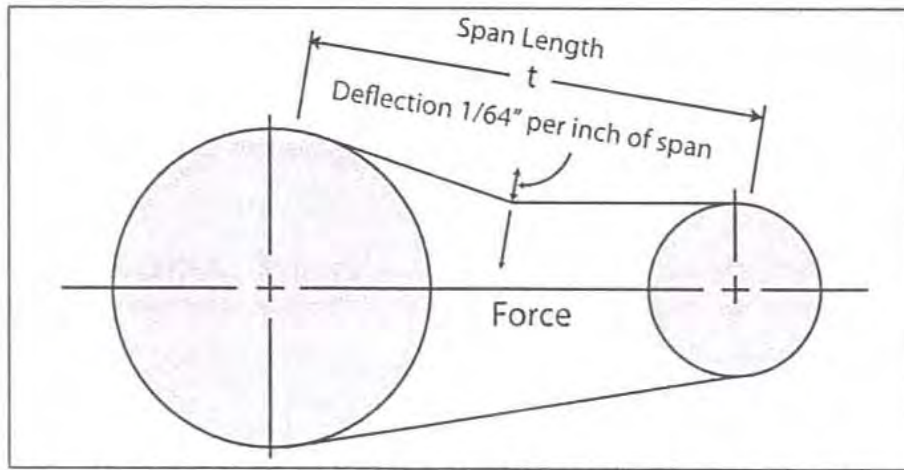


*Lay a straightedge across*

# BELT TENSIONING SPECIFICATION

## SECTION G

V-Belt tensioning adjustment can be made using a tension meter or other type spring scale using the following procedure. After seating the belts in the groove and adjusting center distance so as to take up the slack in the belts, further increase the tension until only a slight bow on the slack side is apparent while the drive is operating under load. Stop the drive and using the meter, measure the force necessary to depress one of the center belts 1/64 inch for every inch of belt span (see sketch below). For example, a deflection for a 50 inch belt span is 50/64 or 25/32 inch. The amount of force required to deflect the belt should compare with the deflection forces noted in the table below. Also notice for V- Belts that deflection forces vary from the initial RUN - IN values which are greater (reflecting higher run-in tensioning) to the NORMAL values for after the run-in period.



MEASURE THE SPAN LENGTH "T" AS SHOWN IN THE SKETCH ABOVE.

BELT CROSS SECTION	SMALLER PULLEY DIAMETER RANGE (inches)	DEFLECTION FORCE	
		RUN - IN (lbs)	NORMAL (lbs)
AX	3.0 - 3.6	4 - 1/8	2 - 3/4
	3.8 - 4.8	5	3 - 1/4
	5.0 - 7.0	6	4
BX	3.4 - 4.2	5 - 1/4	3 - 1/2
	4.4 - 5.2	7 - 1/8	4 - 3/4
	5.4 - 9.4	9	6

SECTION  
H**STORAGE**

When storing the Tube Series Conveyors for long periods of time, the following procedure must be followed to reduce the chance of rust, corrosion and fatigue of the conveyor. You can also use these steps when storing the machine for the winter.



A dust mask and protective rubber gloves shall be used when cleaning the machine.

1. Clear the area of bystanders, especially small children.
2. Thoroughly wash the entire machine to remove all dirt, mud, debris or residue.
3. Inspect all moving or rotating parts to see if anything has become entangled in them. Remove the entangled material.
4. Lubricate all grease fittings. Make sure that all grease cavities have been filled with grease to remove any water residue from the washing. This also protects the bearing seals.
5. Remove drive assembly cover. Clean entire area and ensure drive belt is clean and free of debris.
6. Touch up all paint nicks and scratches to prevent rusting.
7. Select an area that is dry, level and free of debris.
8. If possible, store the machine inside a protective building to keep it from being exposed to the weather. If storing outside, cover the entire machine with a large waterproof tarpaulin. If you do not have one large enough, at a minimum cover all electric motors.
9. Unhook from towing vehicle.
10. Place blocks under the intake or the jack if required.
11. Store machine in an area away from human activity.
12. Do not allow children to play on or around the stored machine.



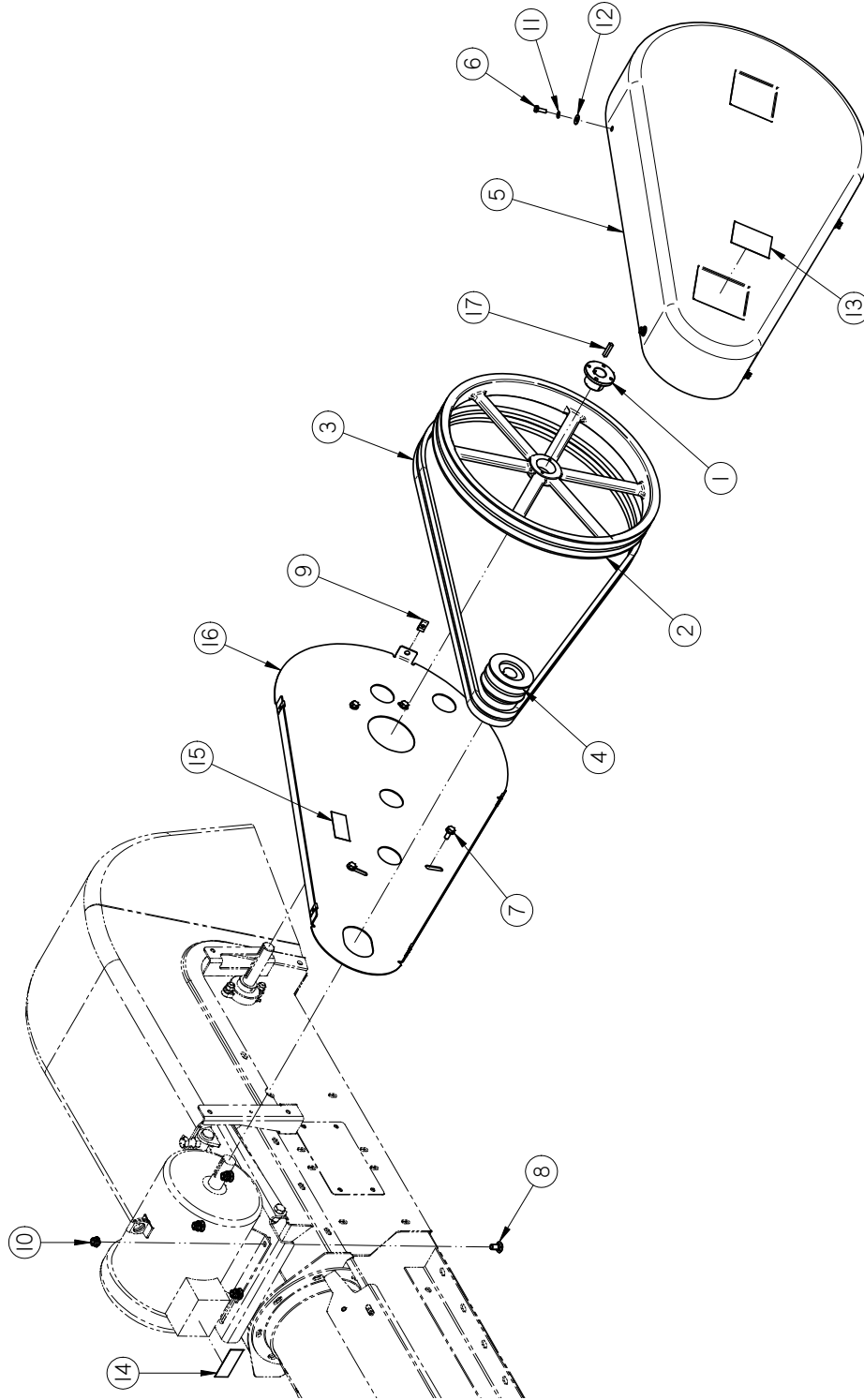
TUBE SERIES 2500 CONVEYOR

**NOTES:**

SECTION  
I

# MECHANICAL DRAWINGS

## 5 HP MOTOR DIRECT DRIVE ASSEMBLY (13-08-0653)

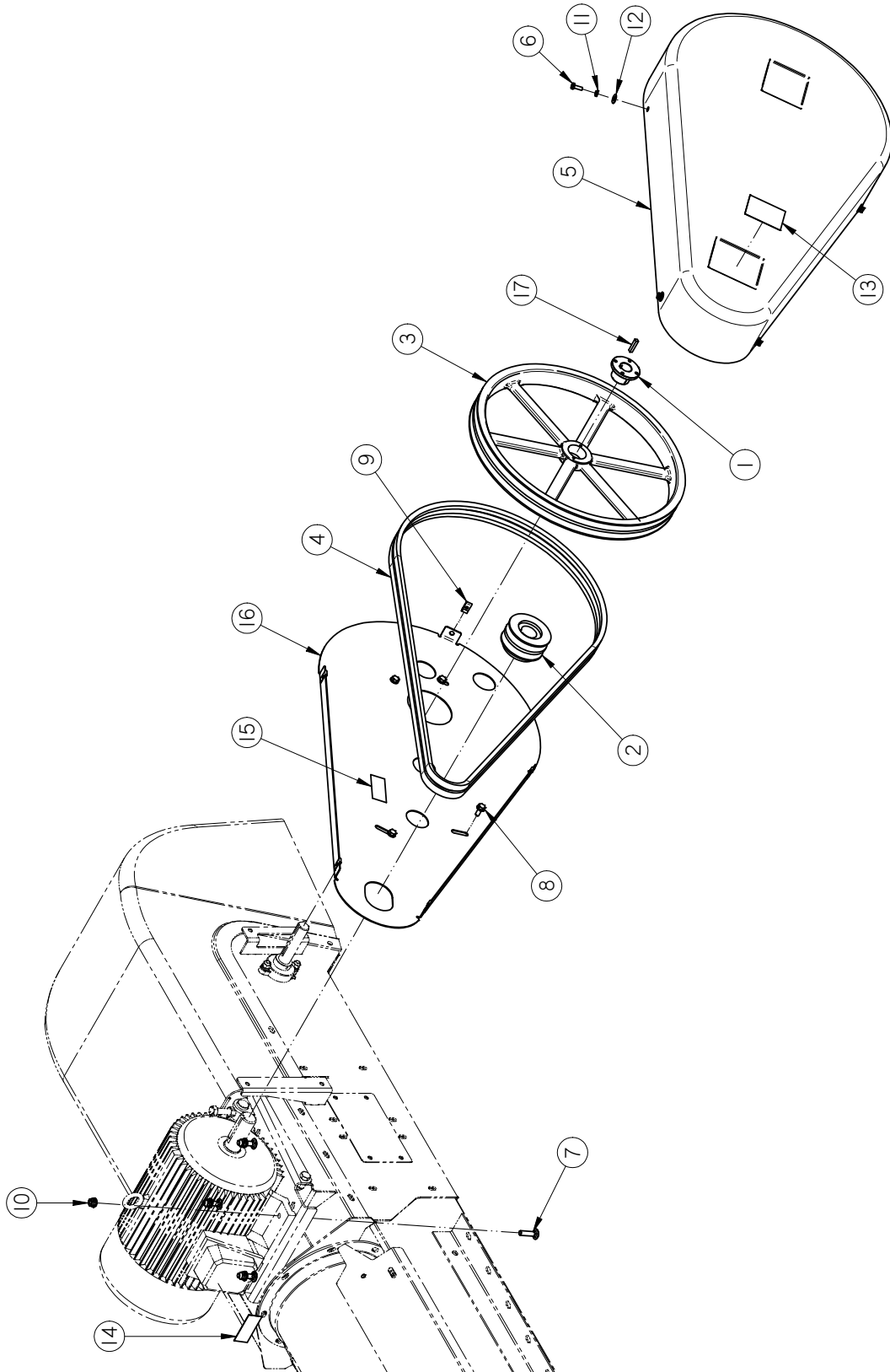


TUBE SERIES 2500 CONVEYOR

**5 HP MOTOR DIRECT DRIVE ASSEMBLY (13-08-0653)**

Item #	Part #	Description	Qty
1	01-02-0060	BUSH 1.000IN BORE TYPE H	1
2	01-08-0120	SHEAVE 2BK190H	1
3	01-08-0121	BELT BX88	2
4	01-08-0122	SHV 2BK36 X 1.125 FHSB BORE	1
5	05-06-0127	CVR BELT DRV	1
6	06-01-0006	BOLT, .250-20 X .75 UNC ZP GRADE 5	5
7	06-01-0138	BOLT, FLG .3125-18 UNC ZP GRADE 5; 3/4" LG	4
8	06-01-0153	BOLT CRG .375-16X.750 ZP SHORT NECK	4
9	06-02-0047	NUT .250-20 U-CLIP NUT	5
10	06-03-0014	NUT LOCK FLG .375-16 ZP GR5	4
11	06-04-0001	WSHR LOCK SPLT .250 ZP	4
12	06-05-0001	WASHER, FLAT .250	4
13	09-02-0009	ATWK LBL WARNING ROTATING PARTS	1
14	09-02-0010	ATWK LBL DANGER ELECTROCUTION	1
15	09-02-0012	ATWK LBL DANGER MISSING SHIELD	1
16	104869	BACKPLATE BELT COVER	1
17	106-3-2036	KEY .250 X 1.25 CS	1

**7.5 HP - 10HP MOTOR DIRECT DRIVE ASSEMBLY (13-08-0654)**

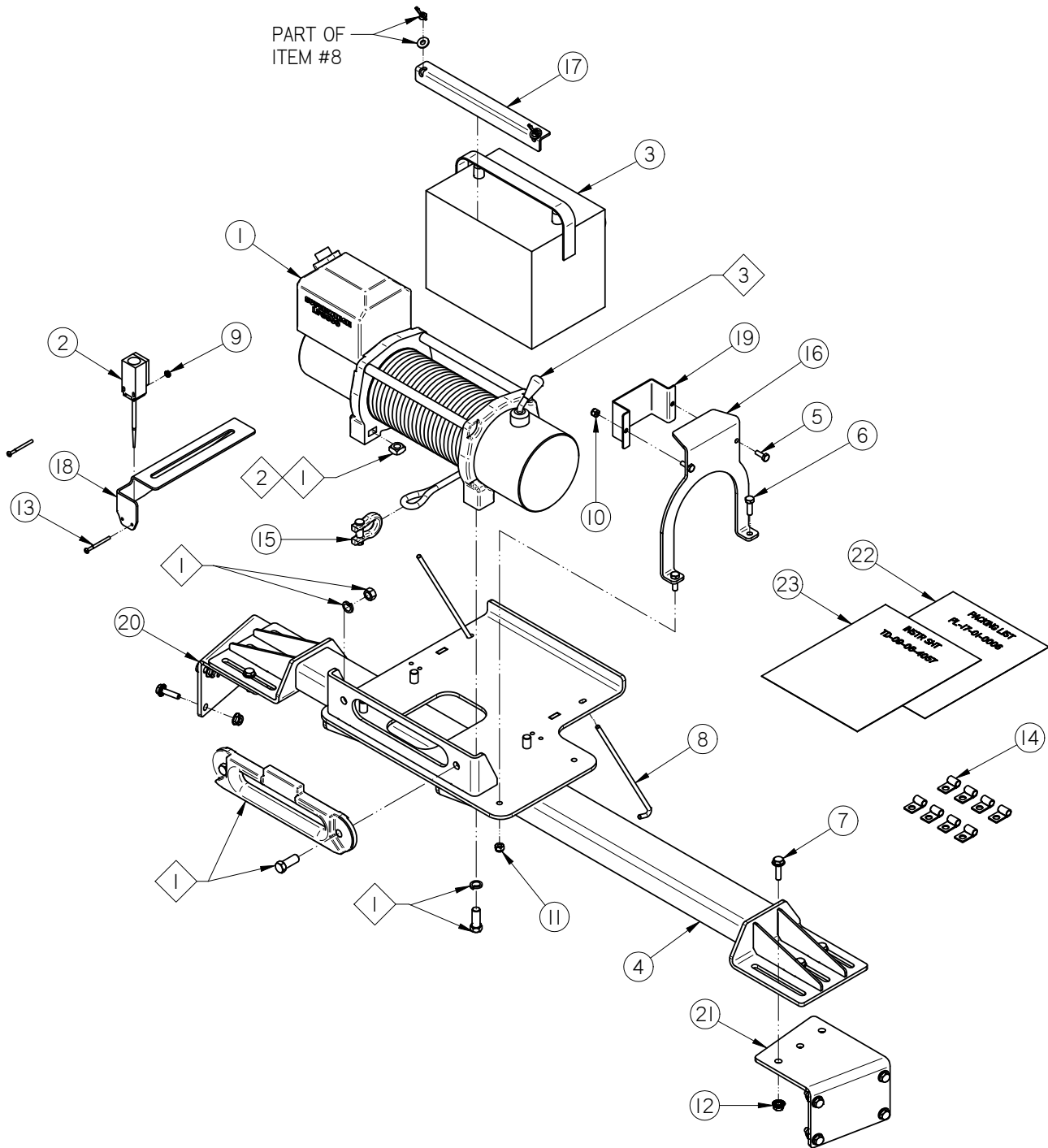


TUBE SERIES 2500 CONVEYOR

**7.5 HP - 10HP MOTOR DIRECT DRIVE ASSEMBLY (13-08-0654)**

Item #	Part #	Description	Qty
1	01-02-0060	BUSH 1.000IN BORE TYPE H	1
2	01-08-0119	SHV 2BK36 X 1.375 FSH BORE	1
3	01-08-0120	SHEAVE 2BK190H	1
4	01-08-0115	BELT BX88	2
5	05-06-0127	CVR BELT DRV	1
6	06-01-0006	BOLT, .250-20 X .75 UNC ZP GRADE 5	5
7	06-01-0128	BOLT CRG .375-16 X 1.50 ZP GR5	4
8	06-01-0138	BOLT, FLG .3125-18 UNC ZP GRADE 5; 3/4" LG	3
9	06-02-0047	NUT .250-20 U-CLIP NUT	5
10	06-03-0014	NUT LOCK FLG .375-16 ZP GR5	4
11	06-04-0001	WSHR LOCK SPLT .250 ZP	5
12	06-05-0001	WASHER, FLAT .250	5
13	09-02-0009	ATWK LBL WARNING ROTATING PARTS	1
14	09-02-0010	ATWK LBL DANGER ELECTROCUTION	1
15	09-02-0012	ATWK LBL DANGER MISSING SHIELD	1
16	104869	BACKPLATE BELT COVER	1
17	106-3-2036	KEY .250 X 1.25 CS	1

**OPTIONAL ELECTRIC WINCH ASSEMBLY 20-35 FT CONVEYORS ONLY (17-01-0006)**



**OPTIONAL ELECTRIC WINCH ASSEMBLY 20-35 FT CONVEYORS ONLY (17-01-0006)**

Item #	Part #	Description	Qty
1	01-01-0181	ELECTRIC WINCH 8500LB WIRED FOR SWITCH	1
2	03-10-0005	LIMIT SWITCH ABB LS35P92B11	1
3	03-14-0009	12 VOLT BATTERY	1
4	05-08-0582	WDMT ELEC WINCH MNT	1
5	06-01-0006	BOLT .250-20 X .750 ZP GR5	2
6	06-01-0012	BOLT .313-18 X 1.00 ZP GR5	2
7	06-01-0189	BOLT FLG .375-16 X 1.250 ZP GR5	14
8	06-01-0285	BOLT J .250-20 X 10 (PKG OF 2)	2
9	06-02-0034	NUT 8-32 K-LOCK ZP	2
10	06-03-0001	NUT,LOCK, .250-20 ZP G5 NYLON INSERT	2
11	06-03-0002	NUT NYL LOCK .313-18 ZP GR5	2
12	06-03-0014	NUT LOCK FLG .375-16 ZP GR5	14
13	06-06-0047	SCRW MACH 8-32 X 1.750 PHLP RDHD ZP	2
14	06-07-0034	CLMP CABLE 3/8 DIA X 3/4 W	8
15	06-09-0057	SHACKLE .375 DIA W SAFETY PIN	1
16	10319C	PLT LEVER STOP	1
17	10319D	ANGLE BATTERY HOLD-DOWN	1
18	10319E	BRKT LIMIT SWITCH MT	1
19	1033F5	COVER ELEC WINCH	1
20	104D5A	PLT ELEC WINCH MNT LH	1
21	104D5B	PLT ELEC WINCH MNT RH	1
22	PL-17-01-0006	PACKING LIST FOR 17-01-0006	1
23	TD-09-06-4057	INST SHT CNVR 20-35 ELEC WINCH KIT	1

**NOTES:**



THESE FLAGGED ITEMS COME WITH THE WINCH AND SHOULD BE USED FOR ASSEMBLY.



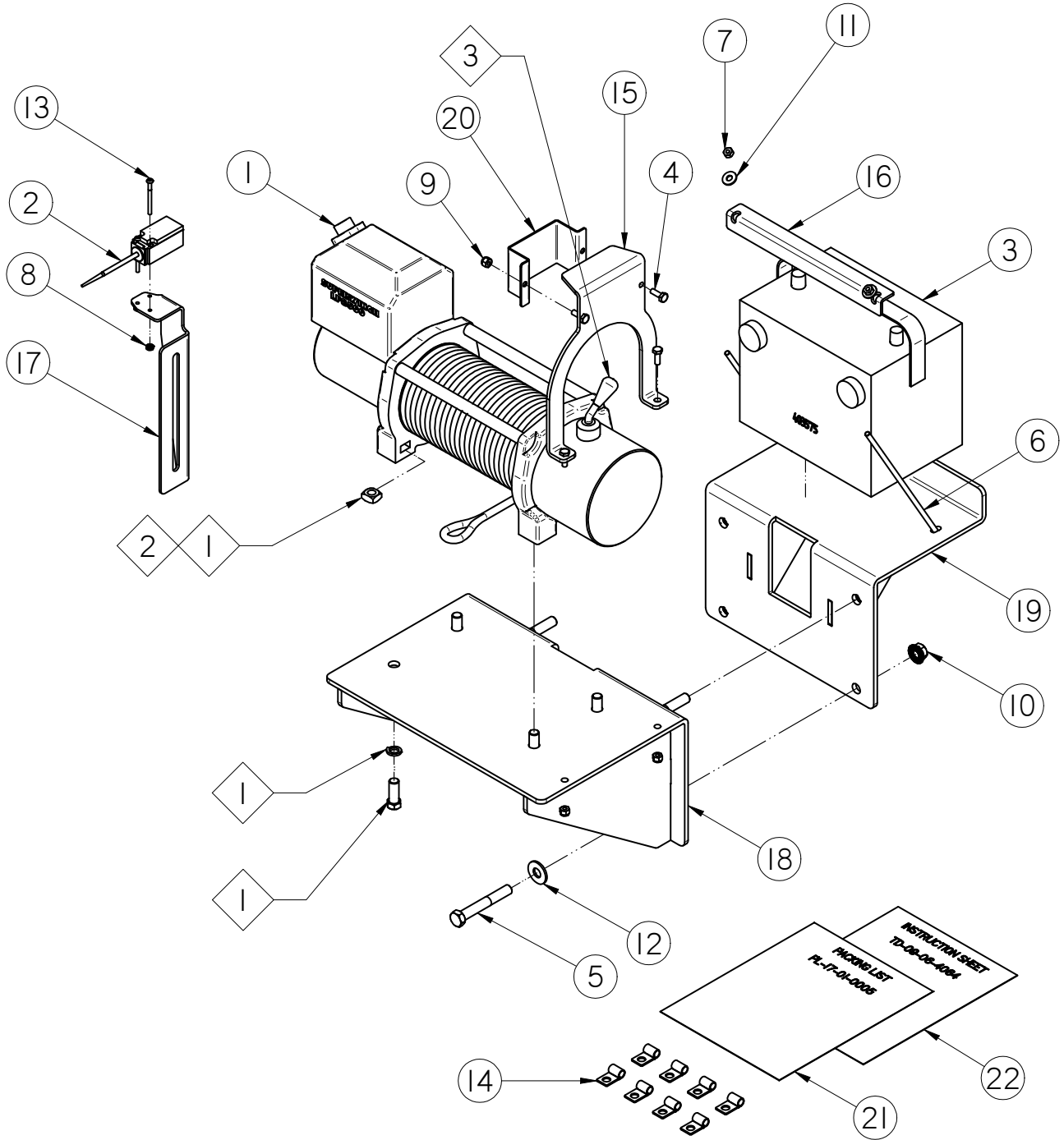
SQUARE NUTS ARE TO BE PLACED IN SLOTS OF WINCH BASE BEFORE INSTALLING.



USE LEVER TO SHIFT TO NEUTRAL AND UNSPOOL CABLE AS NEEDED. SHIFT BACK TO THE LOCKED POSITION AND INSTALL LEVER STOP BRACKET AND COVER.

**CAUTION: UNIT SHOULD NOT BE OPERATED WITHOUT STOP BRACKET AND COVER IN PLACE.**

**OPTIONAL ELECTRIC WINCH ASSEMBLY 40-45 FT CONVEYORS ONLY (17-01-0005)**





**OPTIONAL ELECTRIC WINCH ASSEMBLY 40-45 FT CONVEYORS ONLY (17-01-0005)**

Item #	Part #	Description	Qty
1	01-01-0181	ELECTRIC WINCH 8500LB WIRED FOR SWITCH	1
2	03-10-0005	LIMIT SWITCH ABB LS35P92B11	1
3	03-14-0009	12 VOLT BATTERY	1
4	06-01-0006	BOLT .250-20 X .750 ZP GR5	4
5	06-01-0147	BOLT .500-13 X 3.50 ZP GR5	4
6	06-01-0285	BOLT J .250-20 X 10 (PKG OF 2)	2
7	06-02-0001	NUT FULL .250-20 ZP GR5	2
8	06-02-0034	NUT 8-32 K-LOCK ZP	2
9	06-03-0001	NUT,LOCK, .250-20 ZP G5 NYLON INSERT	4
10	06-03-0015	NUT LOCK FLG .500-13 ZP GR5	4
11	06-05-0001	WASHER, FLAT .250	2
12	06-05-0005	WSHR FLAT .500 ZP	4
13	06-06-0047	SCRW MACH 8-32 X 1.750 PHLP RDHD ZP	2
14	06-07-0034	CLMP CABLE 3/8 DIA X 3/4 W	8
15	10319C	PLT LEVER STOP	1
16	10319D	ANGLE BATTERY HOLD-DOWN	1
17	10319E	BRKT LIMIT SWITCH MT	1
18	1031EB	WDMT ELEC WINCH MNT	1
19	103226	WDMT BATTERY MNT	1
20	1033F5	COVER ELEC WINCH	1
21	PL-17-01-0005	PACKING LIST FOR 17-01-0005	1
22	TD-09-06-4064	INSTR SHT E-WINCH KIT 40-45 CNVR	1

**NOTES:**

THESE FLAGGED ITEMS COME WITH THE WINCH AND SHOULD BE USED FOR ASSEMBLY.



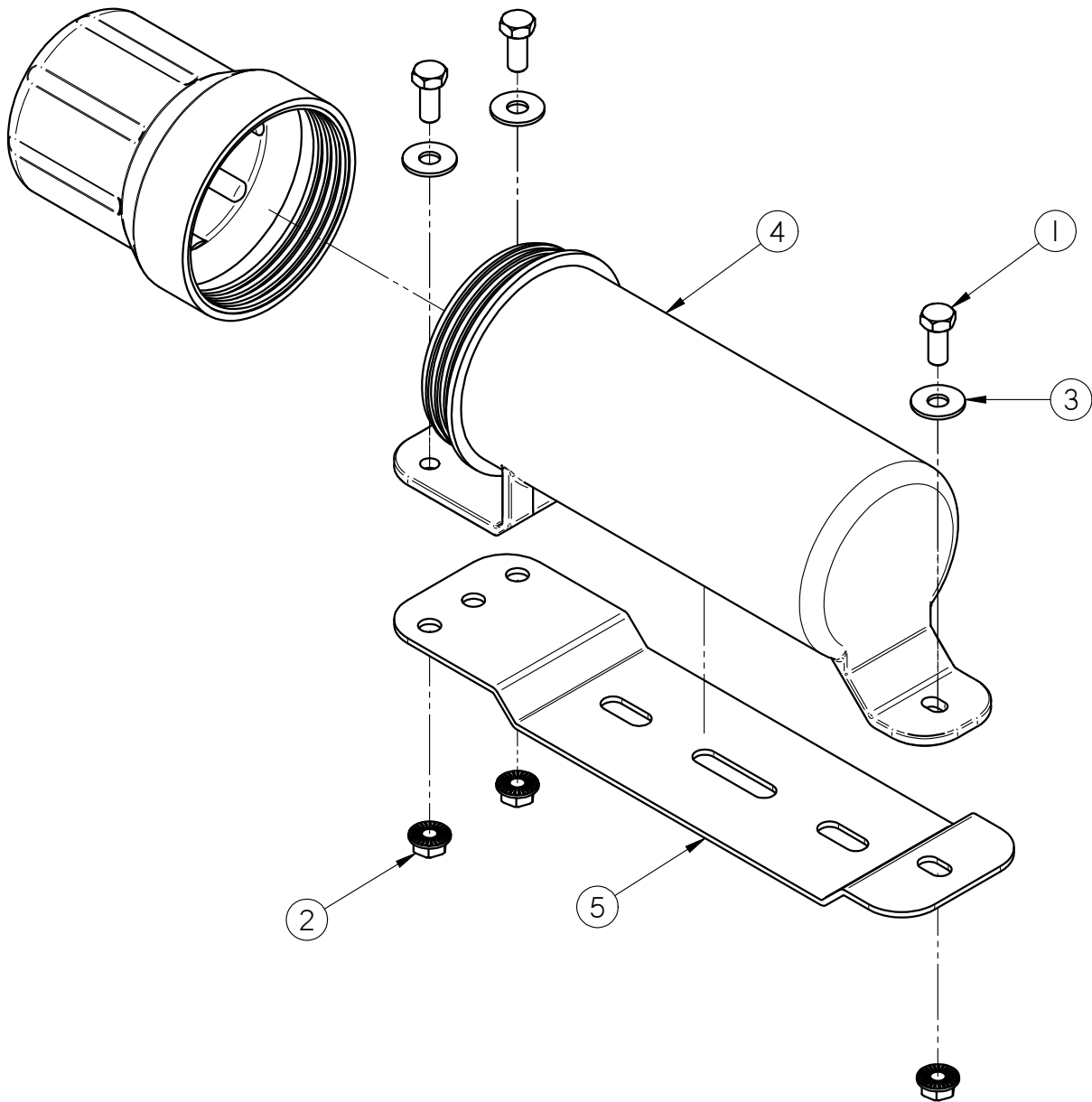
SQUARE NUTS ARE TO BE PLACED IN SLOTS OF WINCH BASE BEFORE INSTALLING.



USE LEVER TO SHIFT TO NEUTRAL AND UNSPOOL CABLE AS NEEDED. SHIFT BACK TO THE LOCKED POSITION AND INSTALL LEVER STOP BRACKET AND COVER.

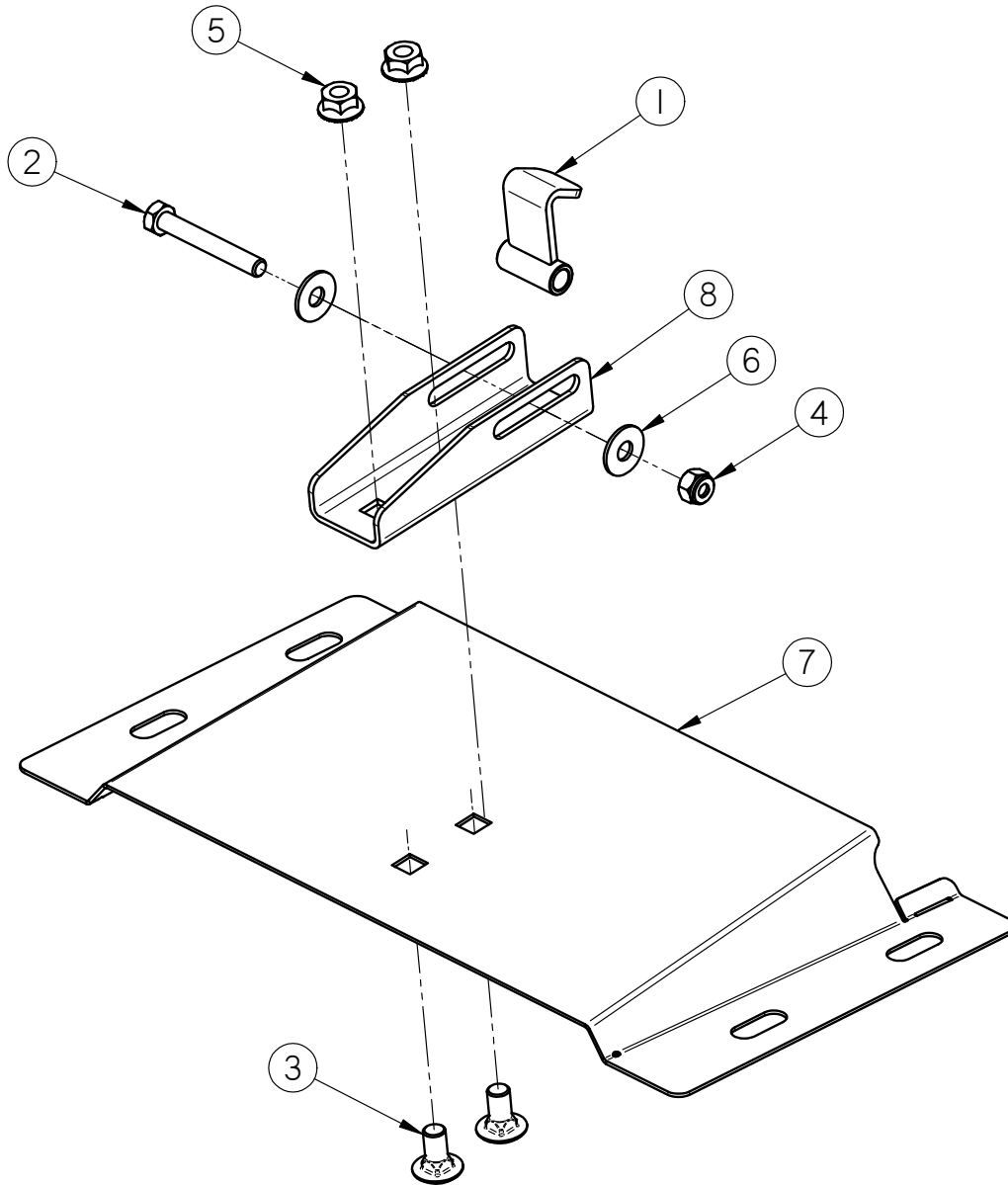
**CAUTION: UNIT SHOULD NOT BE OPERATED WITHOUT STOP BRACKET AND COVER IN PLACE.**

TUBE SERIES 2500 CONVEYOR  
**MANUAL TUBE ASSEMBLY (13-05-0322)**



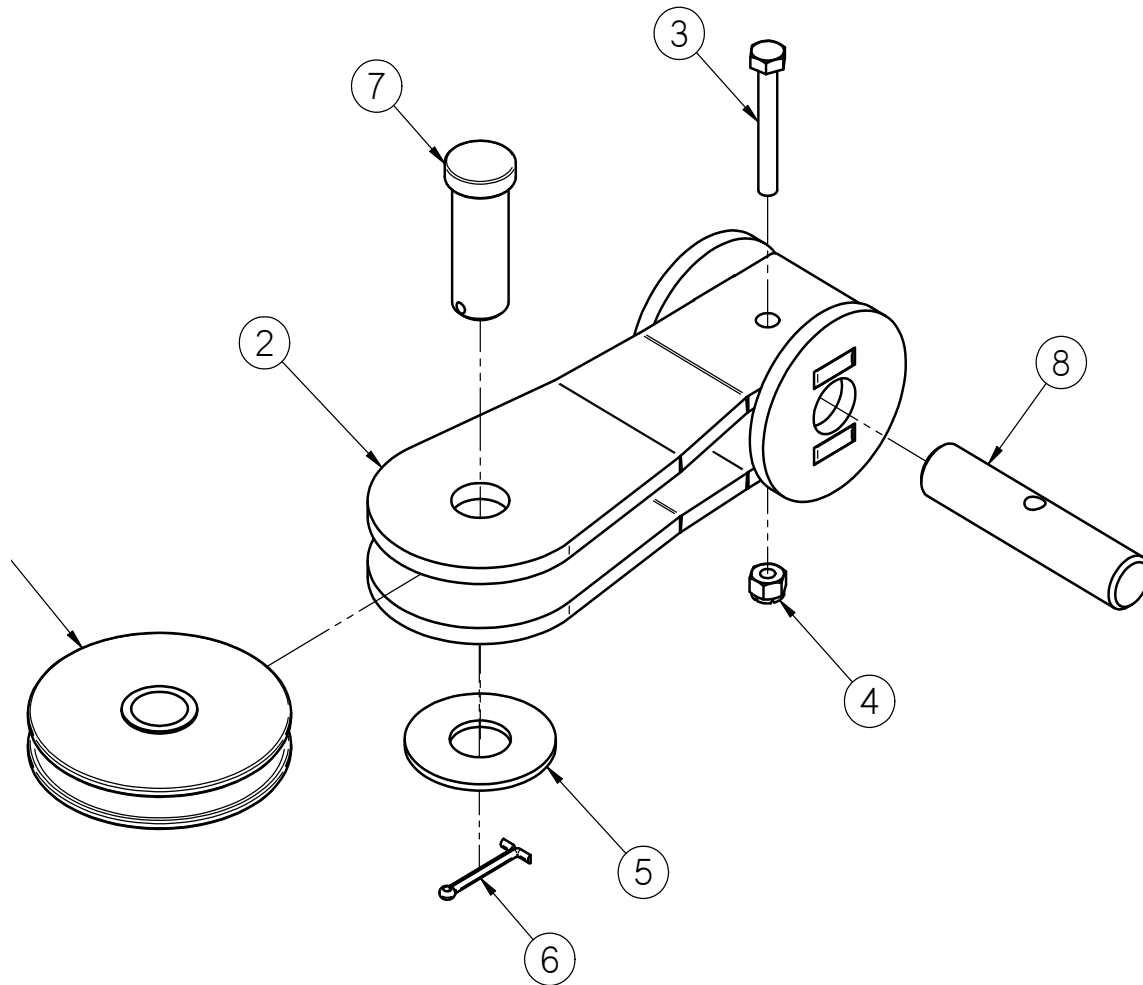
Item #	Part #	Description	Qty
1	06-01-0010	BOLT .313-18 X 0.75 ZP GR5	3
2	06-03-0019	NUT, FLG .3125-18 UNC ZP GRADE 5	3
3	06-05-0011	WASHER, .3125 FLAT 18-8 SS	3
4	08-07-0050	HOLDER MANUAL 3.25 DIA	1
5	103980	PLT MANUAL MT	1

**CLEAN OOUT DOOR EITH LATCH ASSEMBLY (13-08-0731)**



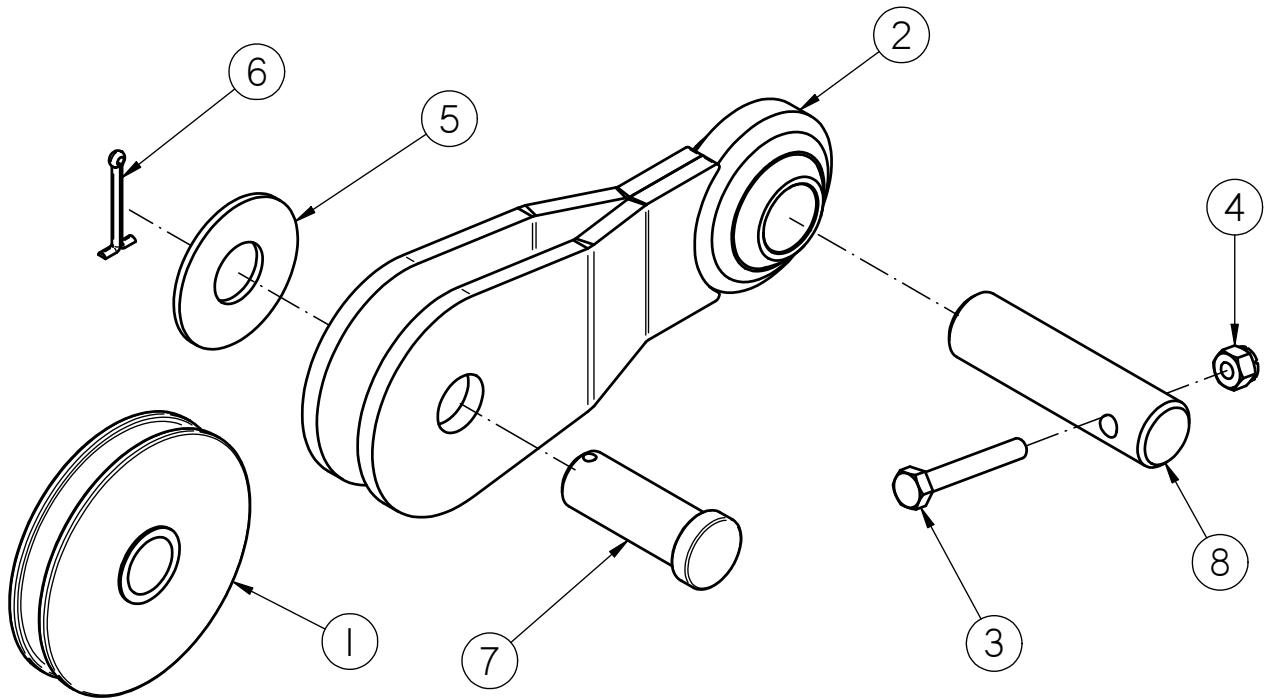
Item #	Part #	Description	Qty
1	05-08-0441	WDMT LATCH CLPSBL	1
2	06-01-0109	BOLT, .3125-18 UNC ZP G5; 2.25" LG	1
3	06-01-0153	BOLT CRG .375-16X.750 ZP SHORT NECK	2
4	06-03-0002	NUT NYL LOCK .313-18 ZP GR5	1
5	06-03-0014	NUT LOCK FLG .375-16 ZP GR5	2
6	06-05-0003	WSHR FLAT .313 ZP	2
7	105608	COVER CLN\OUT	1
8	105611	PLT LATCH MNT	1

TUBE SERIES 2500 CONVEYOR  
**PULLEY PIVOT ASSEMBLY (13-08-0684)**



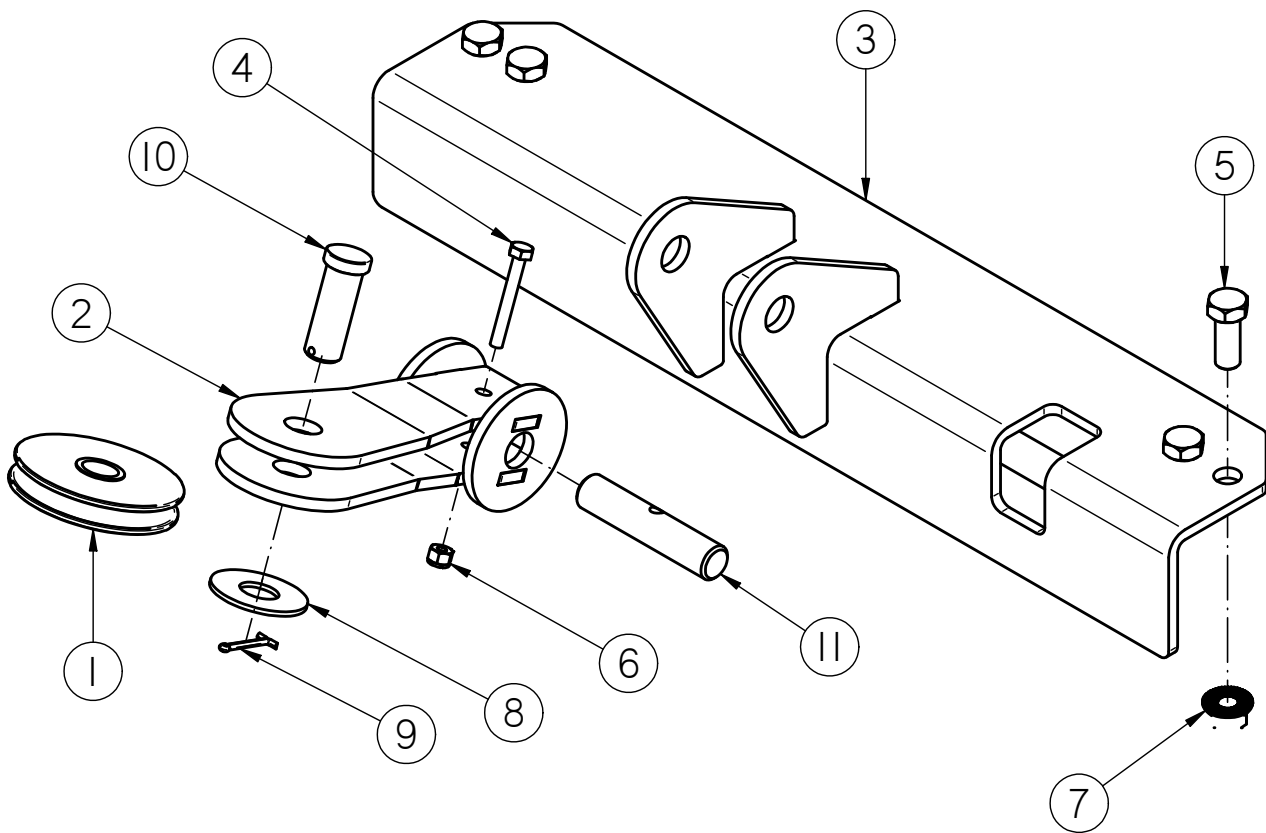
Item #	Part #	Description	Qty
1	01-02-0074	PLLY WIRE ROPE 3 IN DIA	1
2	05-08-0552	WDMT CBL SHV MNT	1
3	06-01-0097	BOLT .250-20 X 2.00 ZP GR5	1
4	06-03-0001	NUT,LOCK, .250-20 ZP G5 NYLON INSERT	1
5	06-05-0007	WASHER, .750 FLAT ZP	1
6	06-09-0087	.125 X 1.50 ZP COTTER PIN	1
7	06-09-0094	PIN CLVS .750 X 2.00 ZP	1
8	104AAE	PIN PIVOT	1

**PULLEY ANGLE PIVOT ASSEMBLY (13-08-0685)**



Item #	Part #	Description	Qty
1	01-02-0074	PLLY WIRE ROPE 3 IN DIA	1
2	05-08-0555	WDMT SHV MNT PIVOTING	1
3	06-01-0097	BOLT .250-20 X 2.00 ZP GR5	1
4	06-03-0001	NUT,LOCK, .250-20 ZP G5 NYLON INSERT	1
5	06-05-0007	WASHER, .750 FLAT ZP	1
6	06-09-0087	.125 X 1.50 ZP COTTER PIN	1
7	06-09-0094	PIN CLVS .750 X 2.00 ZP	1
8	104AC8	PIN PIVOT	1

TUBE SERIES 2500 CONVEYOR  
**UPPER CROSS MEMBER ASSEMBLY (13-08-0645)**

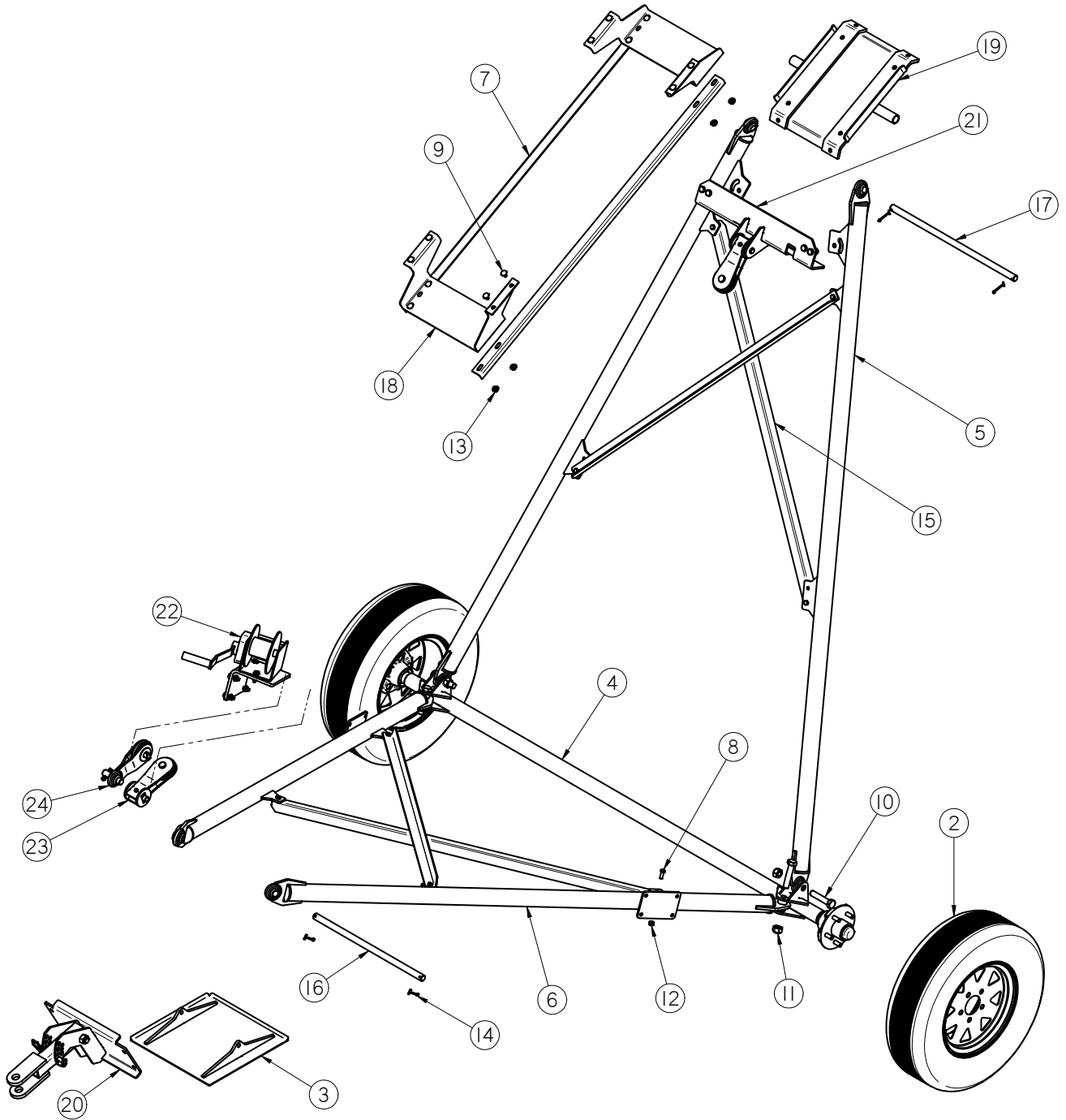


TUBE SERIES 2500 CONVEYOR

**UPPER CROSS MEMBER ASSEMBLY (13-08-0645)**

Item #	Part #	Description	Qty
1	01-02-0074	PLY WIRE ROPE 3 IN DIA	1
2	05-08-0552	WDMT CBL SHV MNT	1
3	05-08-0554	WDMT UPPER X-MEMBER CNVR	1
4	06-01-0097	BOLT .250-20 X 2.00 ZP GR5	1
5	06-01-0193	BOLT .500-13 X 1.25 ZP GR8	4
6	06-03-0001	NUT,LOCK, .250-20 ZP G5 NYLON INSERT	1
7	06-03-0015	NUT LOCK FLG .500-13 ZP GR5	4
8	06-05-0007	WASHER, .750 FLAT ZP	1
9	06-09-0087	.125 X 1.50 ZP COTTER PIN	1
10	06-09-0094	PIN CLVS .750 X 2.00 ZP	1
11	104AAE	PIN PIVOT	1

**UNDERCARRIAGE ASSEMBLY - 20 FT (13-08-0484)**



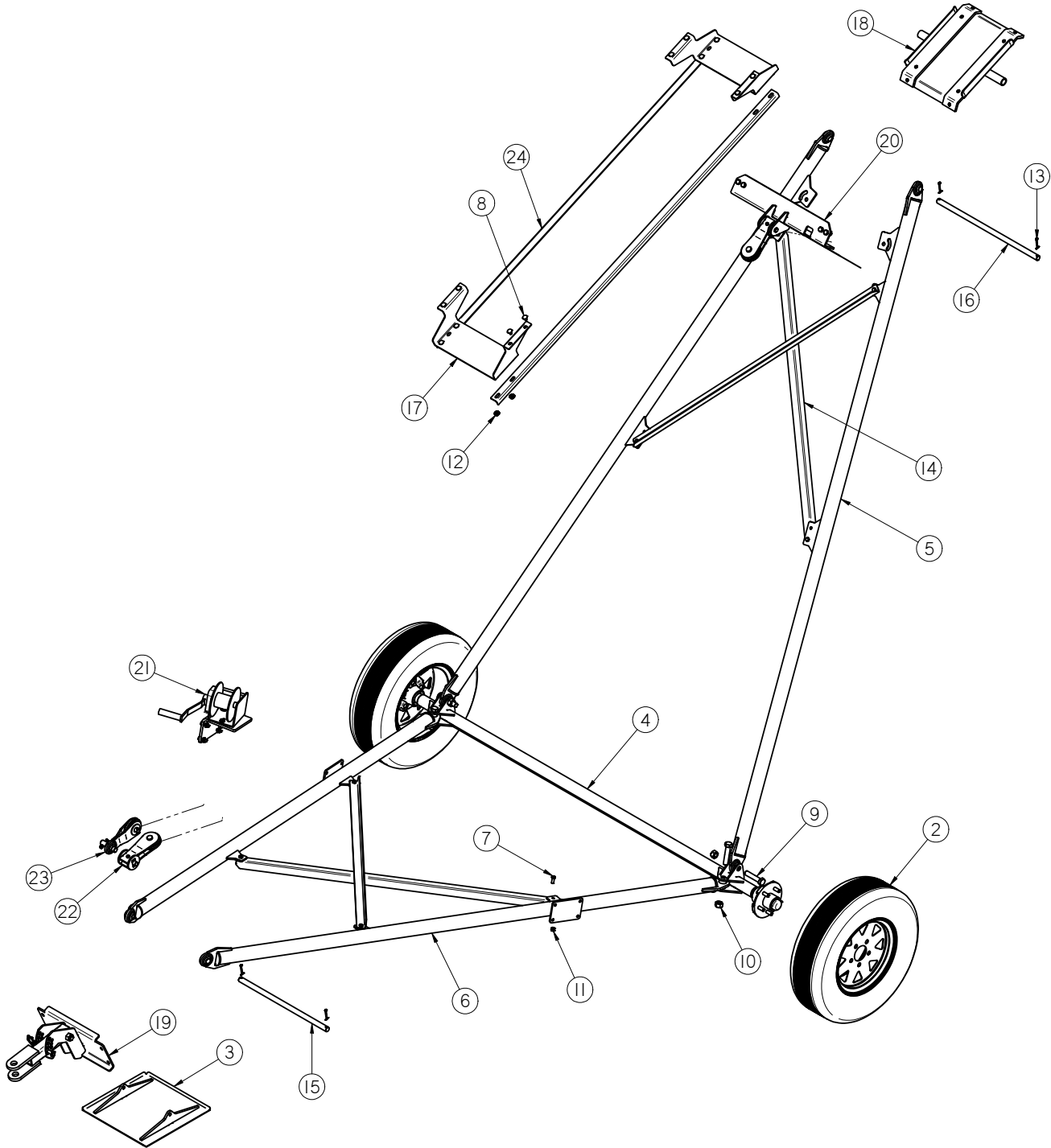


TUBE SERIES 2500 CONVEYOR

**UNDERCARRIAGE ASSEMBLY - 20 FT (13-08-0484)**

Item #	Part #	Description	Qty
1	01-04-0070	WIRE ROPE .25 DIA X 45FT	1
2	01-06-0150	ASSY WHL/TIRE 5BLT-15.0 X 6.0 6PLY	2
3	05-08-0218	WDMT, PAD CNVR BL	1
4	05-08-0322	ASSY AXLE SECT UNCG	1
5	05-08-0376	WDMT UPPER ARM SS20 20FT UNCG	2
6	05-08-0590	WDMT LOWER ARM CNVR 84.19	2
7	05-10-4101	TRANSPORT SLIDE TRAP 54IN	2
8	06-01-0016	BOLT .375-16 X 1.00 ZP GR5	8
9	06-01-0153	BOLT CRG .375-16X.750 ZP SHORT NECK	16
10	06-01-0218	BOLT .750-10 X 3.50 ZP GR8	4
11	06-02-0029	NUT,LOCK, .750-10 ZP NE NYLON INSERT	4
12	06-03-0003	NUT NYL LOCK .375-16 ZP GR5	8
13	06-03-0014	NUT LOCK FLG .375-16 ZP GR5	16
14	06-09-0023	.188 X 2.00 ZP COTTER PIN	4
15	102FBC	PLT X BRACE UNCG	4
16	102FE5	LOWER ARM PIN SS16 UNCG	1
17	102FE6	UPPER ARM PIN SS16 UNCG	1
18	103C36	TRANSPORT SLIDE STOP 12IN	2
19	13-08-0535	ASSY TRANSPORT SLIDE 12IN	1
20	13-08-0536	ASSY HITCH 12IN	1
21	13-08-0645	ASSY UPPER X-MEMBER CNVR	1
22	13-08-0658	KIT WINCH CNVRS 20 - 35	1
23	13-08-0684	ASSY PULLEY PIVOT CNVRS	1
24	13-08-0685	ASSY PLY ANGLE PIVOT CNVRS	1

**UNDERCARRIAGE ASSEMBLY - 25 FT (13-08-0485)**

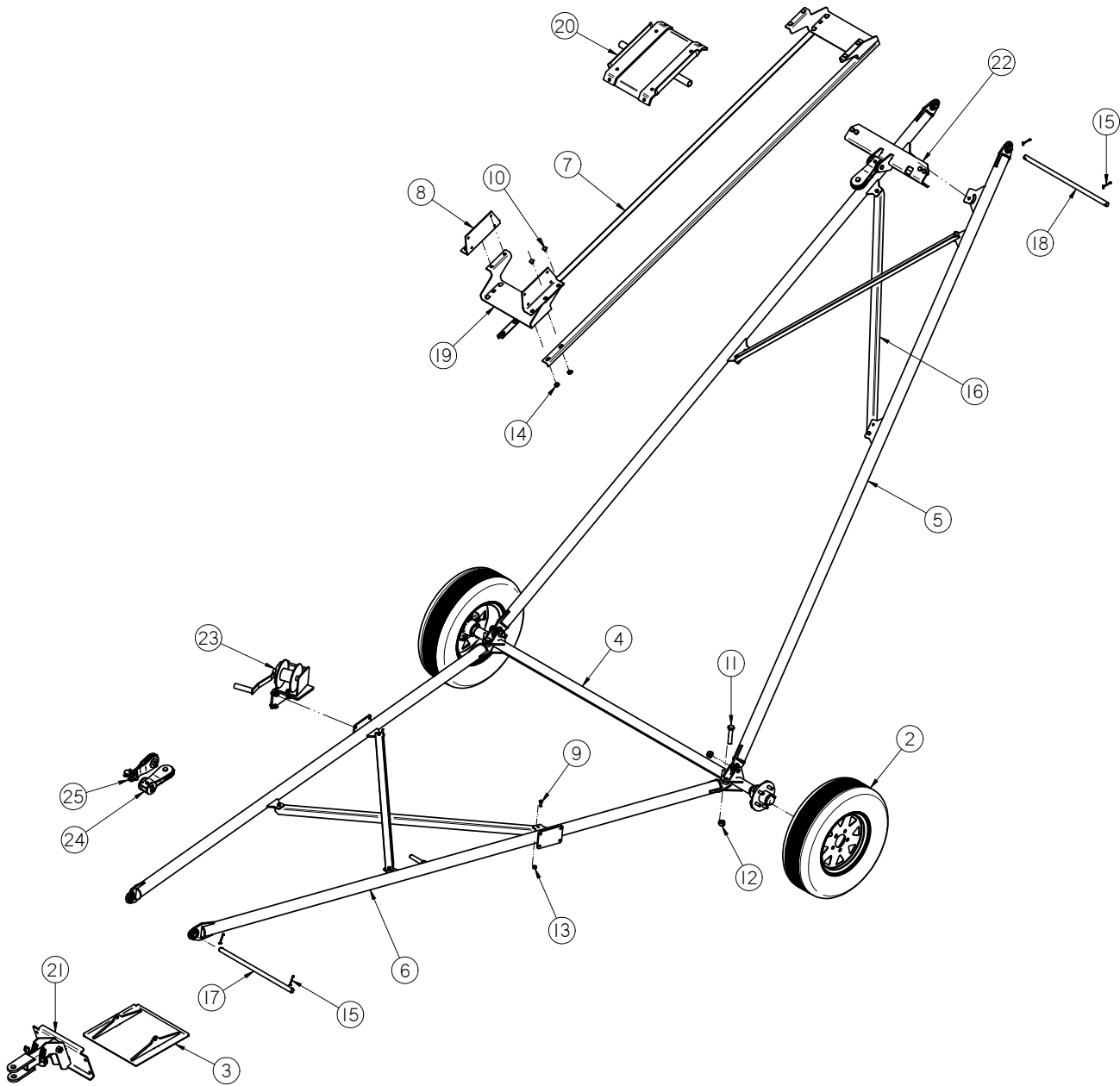


TUBE SERIES 2500 CONVEYOR

**UNDERCARRIAGE ASSEMBLY - 25 FT (13-08-0485)**

Item #	Part #	Description	Qty
1	01-04-0071	WIRE ROPE .25 DIA X 57FT	1
2	01-06-0150	ASSY WHL/TIRE 5BLT-15.0 X 6.0 6PLY	2
3	05-08-0218	WDMT, PAD CNVR BL	1
4	05-08-0322	ASSY AXLE SECT UNCG	1
5	05-08-0378	WDMT UPPER ARM SS20 25FT UNCG	2
6	05-08-0591	WDMT LOWER ARM CNVR 106.06	2
7	06-01-0016	BOLT .375-16 X 1.00 ZP GR5	8
8	06-01-0153	BOLT CRG .375-16X.750 ZP SHORT NECK	16
9	06-01-0218	BOLT .750-10 X 3.50 ZP GR8	4
10	06-02-0029	NUT,LOCK, .750-10 ZP NE NYLON INSERT	4
11	06-03-0003	NUT NYL LOCK .375-16 ZP GR5	8
12	06-03-0014	NUT LOCK FLG .375-16 ZP GR5	16
13	06-09-0023	.188 X 2.00 ZP COTTER PIN	4
14	102FBC	PLT X BRACE UNCG	4
15	102FE5	LOWER ARM PIN SS16 UNCG	1
16	102FE6	UPPER ARM PIN SS16 UNCG	1
17	103C36	TRANSPORT SLIDE STOP 12IN	2
18	13-08-0535	ASSY TRANSPORT SLIDE 12IN	1
19	13-08-0536	ASSY HITCH 12IN	1
20	13-08-0645	ASSY UPPER X-MEMBER CNVR	1
21	13-08-0658	KIT WINCH CNVRS 20 - 35	1
22	13-08-0684	ASSY PULLEY PIVOT CNVRS	1
23	13-08-0685	ASSY PLY ANGLE PIVOT CNVRS	1
24	280-3-0089	TRANSPORT SLIDE TRAP	2

**UNDERCARRIAGE ASSEMBLY - 30 FT (13-08-0486)**

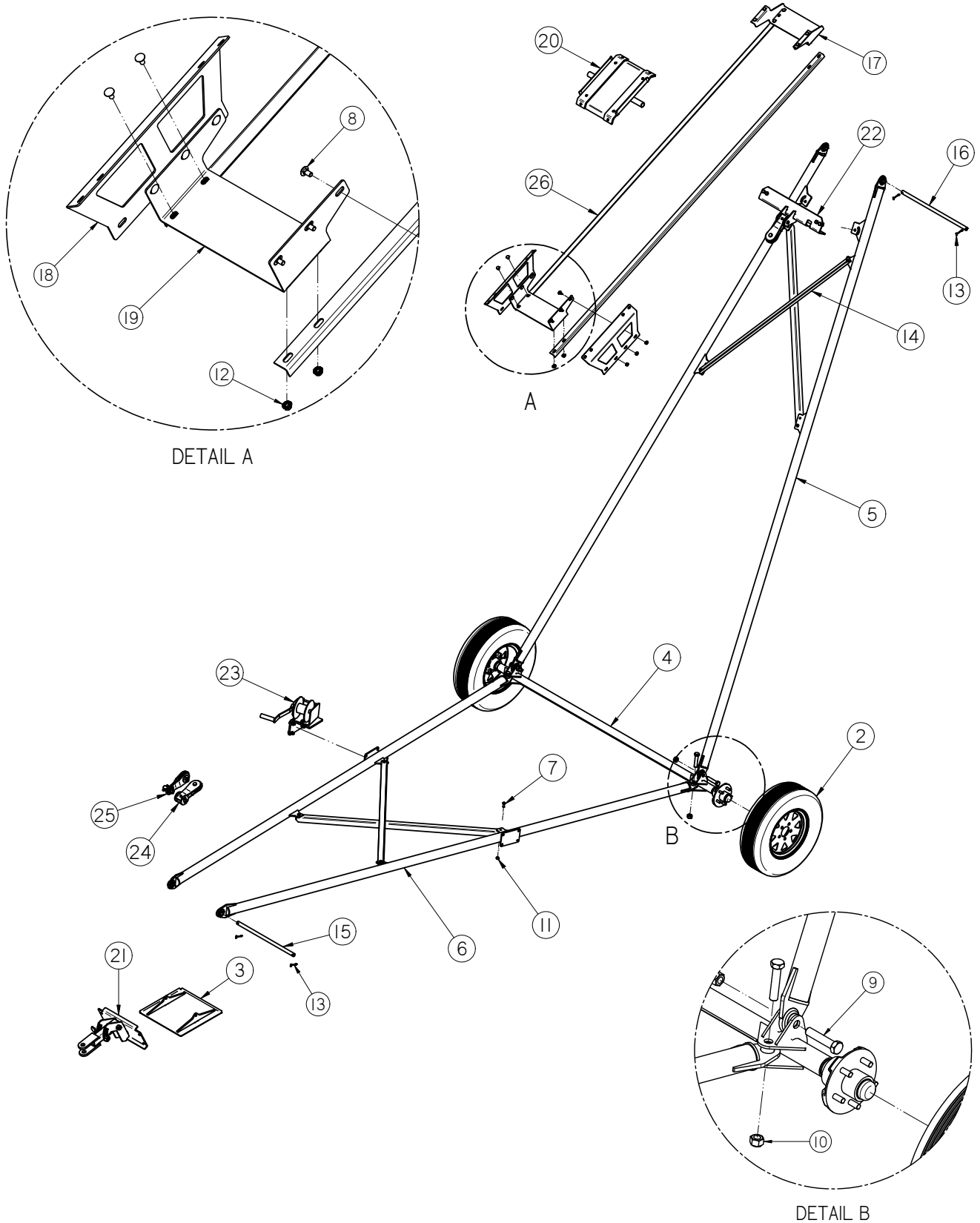


TUBE SERIES 2500 CONVEYOR

**UNDERCARRIAGE ASSEMBLY - 30 FT (13-08-0486)**

Item #	Part #	Description	Qty
1	01-04-0072	WIRE ROPE .25 DIA X 72FT	1
2	01-06-0150	ASSY WHL/TIRE 5BLT-15.0 X 6.0 6PLY	2
3	05-08-0218	WDMT, PAD CNVR BL	1
4	05-08-0322	ASSY AXLE SECT UNCG	1
5	05-08-0379	WDMT UPPER ARM SS20 30FT UNCG	2
6	05-08-0592	WDMT LOWER ARM CNVR 135.06	2
7	05-10-4031	TRANSPORT SLIDE TRAP 102	2
8	05-10-4339	PLT STOP MOUNT	2
9	06-01-0016	BOLT .375-16 X 1.00 ZP GR5	8
10	06-01-0153	BOLT CRG .375-16X.750 ZP SHORT NECK	16
11	06-01-0218	BOLT .750-10 X 3.50 ZP GR8	4
12	06-02-0029	NUT,LOCK, .750-10 ZP NE NYLON INSERT	4
13	06-03-0003	NUT NYL LOCK .375-16 ZP GR5	8
14	06-03-0014	NUT LOCK FLG .375-16 ZP GR5	16
15	06-09-0023	.188 X 2.00 ZP COTTER PIN	4
16	102FBC	PLT X BRACE UNCG	4
17	102FE5	LOWER ARM PIN SS16 UNCG	1
18	102FE6	UPPER ARM PIN SS16 UNCG	1
19	103C36	TRANSPORT SLIDE STOP 12IN	2
20	13-08-0535	ASSY TRANSPORT SLIDE 12IN	1
21	13-08-0536	ASSY HITCH 12IN	1
22	13-08-0645	ASSY UPPER X-MEMBER CNVR	1
23	13-08-0658	KIT WINCH CNVRS 20 - 35	1
24	13-08-0684	ASSY PULLEY PIVOT CNVRS	1
25	13-08-0685	ASSY PLY ANGLE PIVOT CNVRS	1

**UNDERCARRIAGE ASSEMBLY - 35 FT (13-08-0487)**

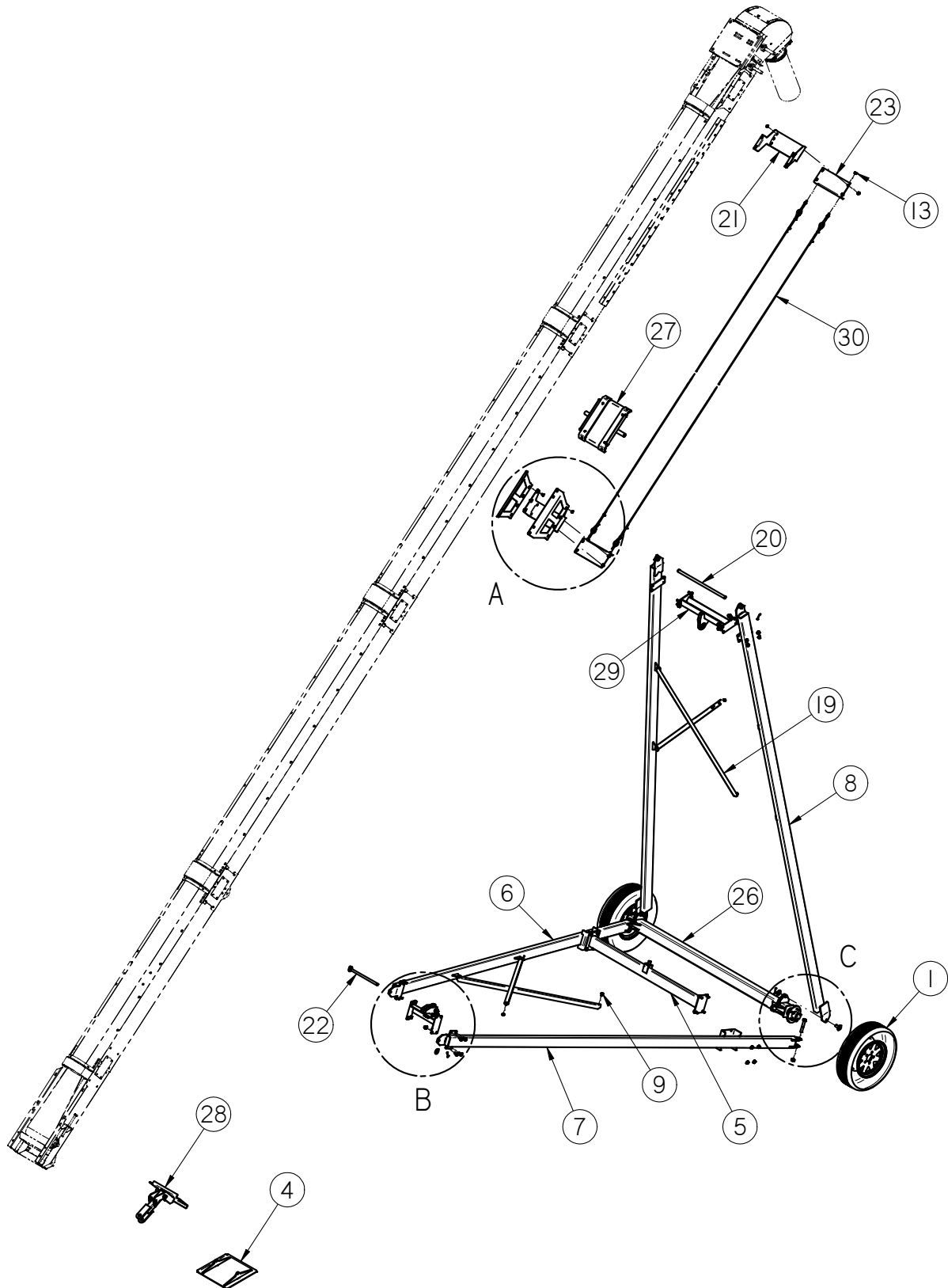


TUBE SERIES 2500 CONVEYOR

**UNDERCARRIAGE ASSEMBLY - 35 FT (13-08-0487)**

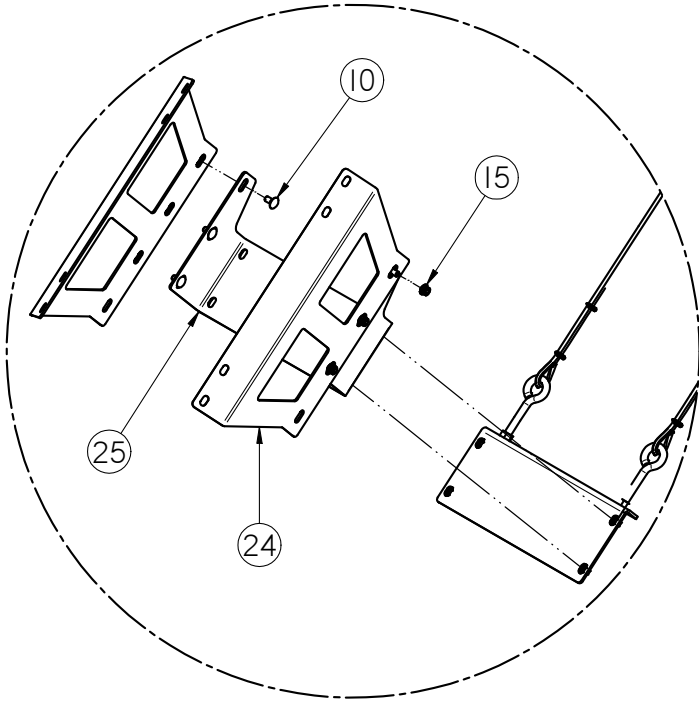
Item #	Part #	Description	Qty
1	01-04-0076	WIRE ROPE .25 DIA X 80FT	1
2	01-06-0150	ASSY WHL/TIRE 5BLT-15.0 X 6.0 6PLY	2
3	05-08-0218	WDMT, PAD CNVR BL	1
4	05-08-0322	ASSY AXLE SECT UNCG	1
5	05-08-0380	WDMT UPPER ARM SS20 35FT UNCG	2
6	05-08-0593	WDMT LOWER ARM CNVR 157.06	2
7	06-01-0016	BOLT .375-16 X 1.00 ZP GR5	8
8	06-01-0153	BOLT CRG .375-16X.750 ZP SHORT NECK	18
9	06-01-0218	BOLT .750-10 X 3.50 ZP GR8	4
10	06-02-0029	NUT,LOCK, .750-10 ZP NE NYLON INSERT	4
11	06-03-0003	NUT NYL LOCK .375-16 ZP GR5	7
12	06-03-0014	NUT LOCK FLG .375-16 ZP GR5	18
13	06-09-0023	.188 X 2.00 ZP COTTER PIN	4
14	102FBC	PLT X BRACE UNCG	4
15	102FE5	LOWER ARM PIN SS16 UNCG	1
16	102FE6	UPPER ARM PIN SS16 UNCG	1
17	103C36	TRANSPORT SLIDE STOP 12IN	1
18	1044BA	PLT STOP LOWER	2
19	1044BE	TRANSPORT STOP TS25	1
20	13-08-0535	ASSY TRANSPORT SLIDE 12IN	1
21	13-08-0536	ASSY HITCH 12IN	1
22	13-08-0645	ASSY UPPER X-MEMBER CNVR	1
23	13-08-0658	KIT WINCH CNVRS 20 - 35	1
24	13-08-0684	ASSY PULLEY PIVOT CNVRS	1
25	13-08-0685	ASSY PLY ANGLE PIVOT CNVRS	1
26	280-3-0175	TRANSPORT SLIDE TRAP 111IN	2

**UNDERCARRIAGE ASSEMBLY - 40 FT (13-08-0488)**

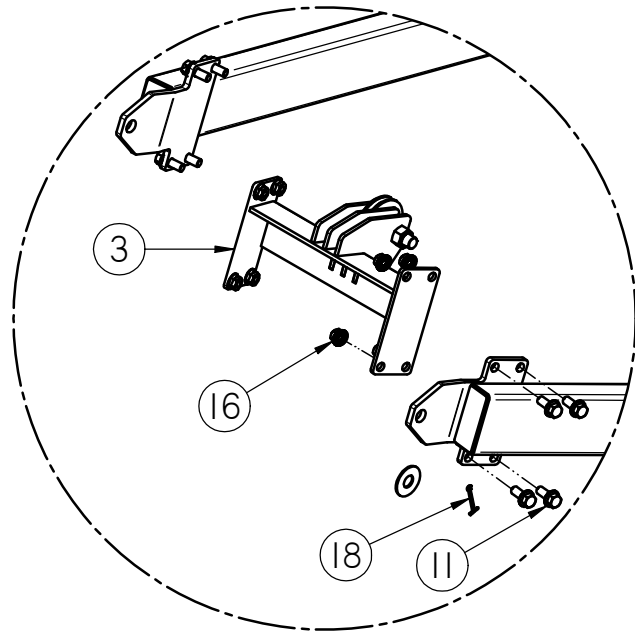




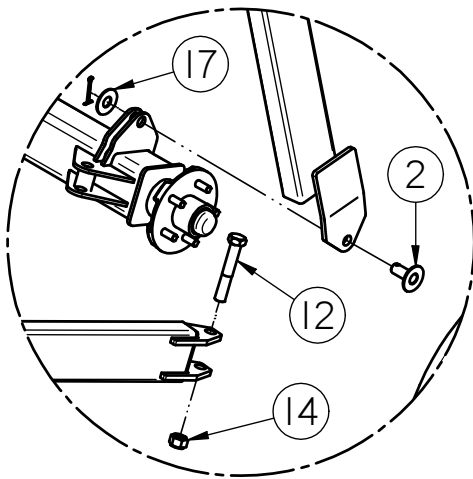
**UNDERCARRIAGE ASSEMBLY - 40 FT (13-08-0488)**



DETAIL A



DETAIL B



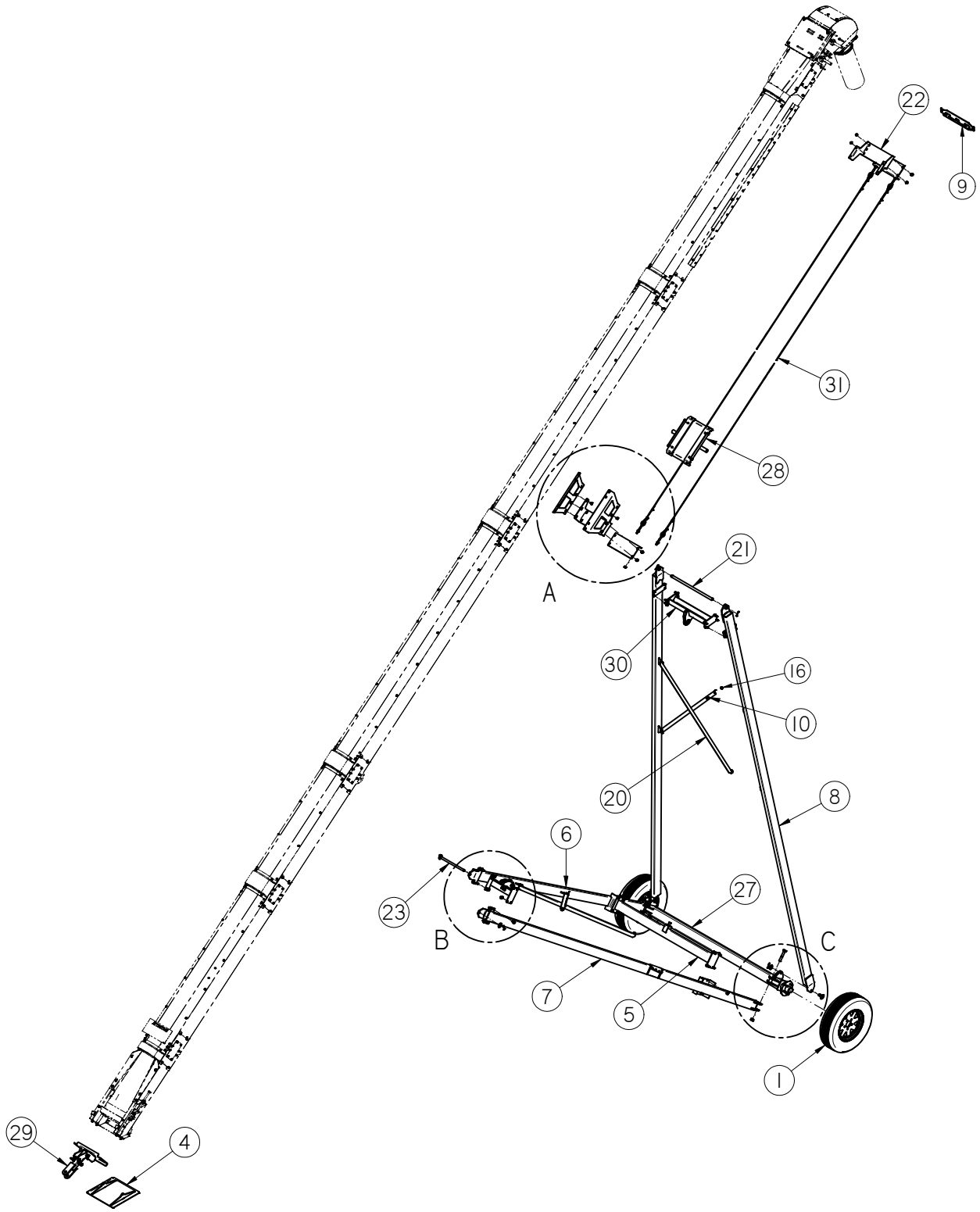
DETAIL C

TUBE SERIES 2500 CONVEYOR

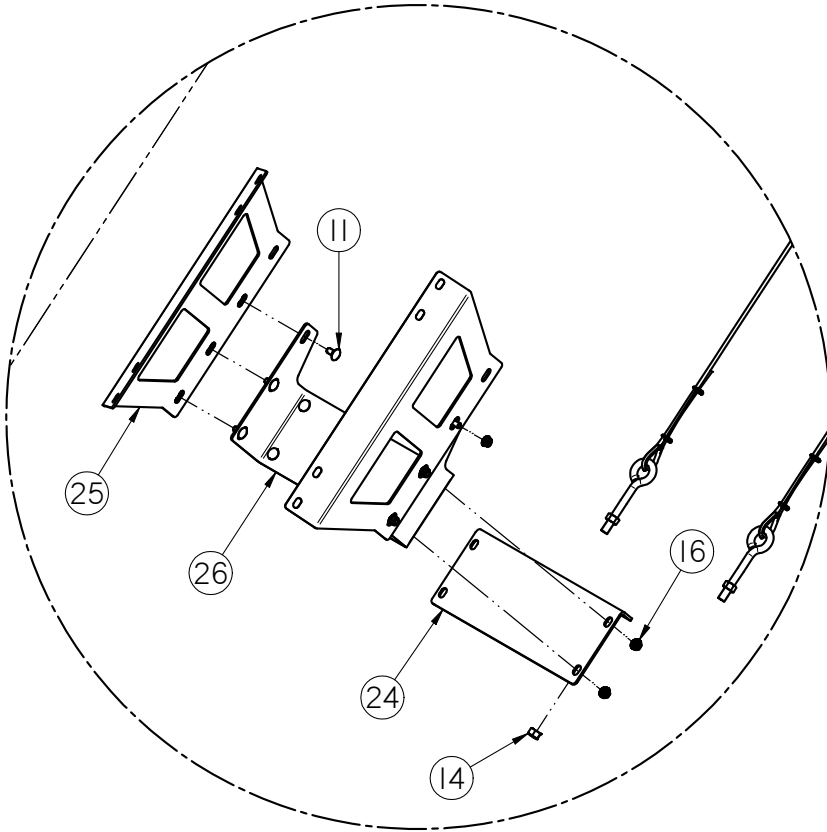
**UNDERCARRIAGE ASSEMBLY - 40 FT (13-08-0488)**

Item #	Part #	Description	Qty
1	01-06-0150	ASSY WHL/TIRE 5BLT-15.0 X 6.0 6PLY	2
2	05-03-0942	WDMT PIN SHV BRKT	1
3	05-03-1451	ASSY LOWER X MEMBER SS45 UNCG	1
4	05-08-0218	WDMT, PAD CNVR BL	1
5	05-08-0389	WDMT LOWER X MEMBER SS 40 45 UNCG	1
6	05-08-0391	WDMT LOWER ARM LH SS40 UNCG	1
7	05-08-0392	WDMT LOWER ARM RH SS40 UNCG	2
8	05-08-0524	WDMT UPPER ARM UNCG TS40	8
9	06-01-0124	BOLT FLG .375-16 X .750 ZP GR5	18
10	06-01-0153	BOLT CRG .375-16X.750 ZP SHORT NECK	24
11	06-01-0232	BOLT FLG .500-13 X 1.250 ZP GR5	2
12	06-01-0277	BOLT .750-10 X 4.50 ZP GR5	8
13	06-02-0004	NUT FULL .500-13 ZP GR5	2
14	06-02-0029	NUT,LOCK, .750-10 ZP NE NYLON INSERT	25
15	06-03-0014	NUT LOCK FLG .375-16 ZP GR5	24
16	06-03-0015	NUT LOCK FLG .500-13 ZP GR5	4
17	06-05-0007	WASHER, .750 FLAT ZP	6
18	06-09-0023	.188 X 2.00 ZP COTTER PIN	4
19	102FBC	PLT X BRACE UNCG	1
20	102FE6	UPPER ARM PIN SS16 UNCG	1
21	103C36	TRANSPORT SLIDE STOP 12IN	1
22	103E7D	PIN LOWER ARM TS UNCG	2
23	104301	PLT ANCHOR TRAP	2
24	1044BA	PLT STOP LOWER	1
25	1044BE	TRANSPORT STOP TS25	1
26	13-08-0458	ASSY AXLE SS 40 45FT	1
27	13-08-0535	ASSY TRANSPORT SLIDE 12IN	1
28	13-08-0536	ASSY HITCH 12IN	1
29	13-08-0537	ASSY UPPER X MEMBER TS UNCG	2
30	13-08-0629	ASSY CABLE TRAP TS40	X

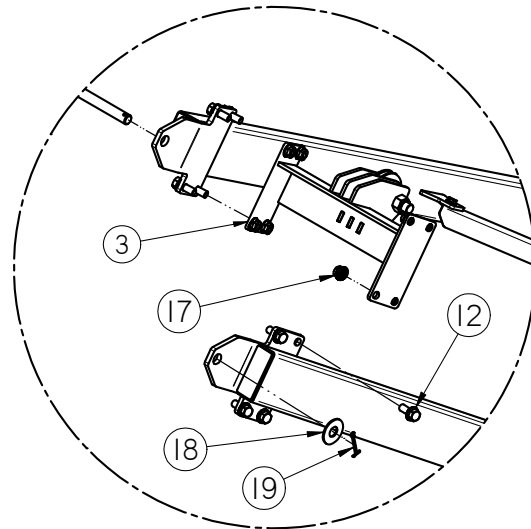
**UNDERCARRIAGE ASSEMBLY - 45 FT (13-08-0489)**



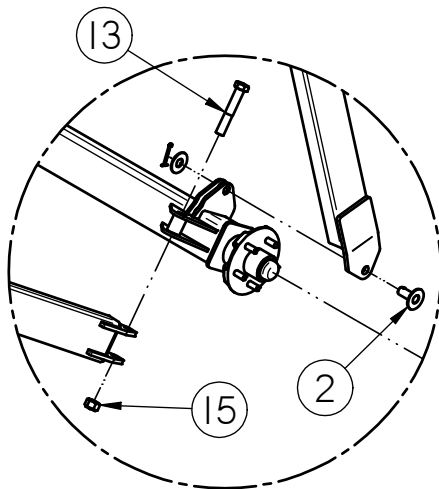
**UNDERCARRIAGE ASSEMBLY - 45 FT (13-08-0489)**



DETAIL A



DETAIL B



DETAIL C

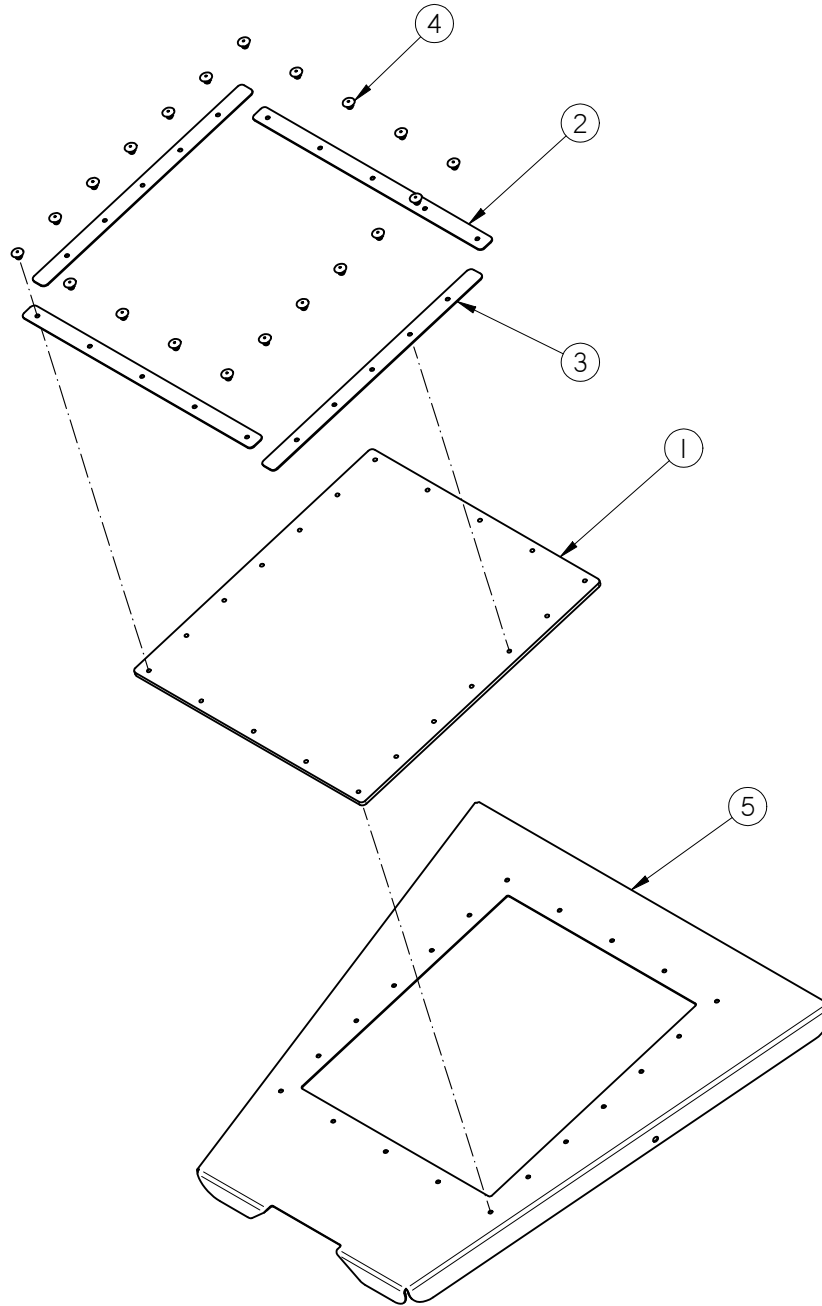
## TUBE SERIES 2500 CONVEYOR

**UNDERCARRIAGE ASSEMBLY - 45 FT (13-08-0489)**

Item #	Part #	Description	Qty
1	01-06-0150	ASSY WHL/TIRE 5BLT-15.0 X 6.0 6PLY	2
2	05-03-0942	WDMT PIN SHV BRKT	2
3	05-03-1451	ASSY LOWER X MEMBER SS45 UNCG	1
4	05-08-0218	WDMT, PAD CNVR BL	1
5	05-08-0389	WDMT LOWER X MEMBER SS 40 45 UNCG	1
6	05-08-0391	WDMT LOWER ARM LH SS40 UNCG	1
7	05-08-0392	WDMT LOWER ARM RH SS40 UNCG	1
8	05-08-0463	WDMT UPPER ARM TS UNCG	2
9	05-08-0528	WDMT SLD BAR	1
10	06-01-0124	BOLT FLG .375-16 X .750 ZP GR5	8
11	06-01-0153	BOLT CRG .375-16X.750 ZP SHORT NECK	18
12	06-01-0232	BOLT FLG .500-13 X 1.250 ZP GR5	24
13	06-01-0277	BOLT .750-10 X 4.50 ZP GR5	2
14	06-02-0004	NUT FULL .500-13 ZP GR5	8
15	06-02-0029	NUT,LOCK, .750-10 ZP NE NYLON INSERT	2
16	06-03-0014	NUT LOCK FLG .375-16 ZP GR5	25
17	06-03-0015	NUT LOCK FLG .500-13 ZP GR5	24
18	06-05-0007	WASHER, .750 FLAT ZP	4
19	06-09-0023	.188 X 2.00 ZP COTTER PIN	6
20	102FBC	PLT X BRACE UNCG	4
21	102FE6	UPPER ARM PIN SS16 UNCG	1
22	103C36	TRANSPORT SLIDE STOP 12IN	1
23	103E7D	PIN LOWER ARM TS UNCG	1
24	104301	PLT ANCHOR TRAP	2
25	1044BA	PLT STOP LOWER	2
26	1044BE	TRANSPORT STOP TS25	1
27	13-08-0458	ASSY AXLE SS 40 45FT	1
28	13-08-0535	ASSY TRANSPORT SLIDE 12IN	1
29	13-08-0536	ASSY HITCH 12IN	1
30	13-08-0537	ASSY UPPER X MEMBER TS UNCG	1
31	13-08-0579	ASSY CABLE TRAP TS 45FT	2

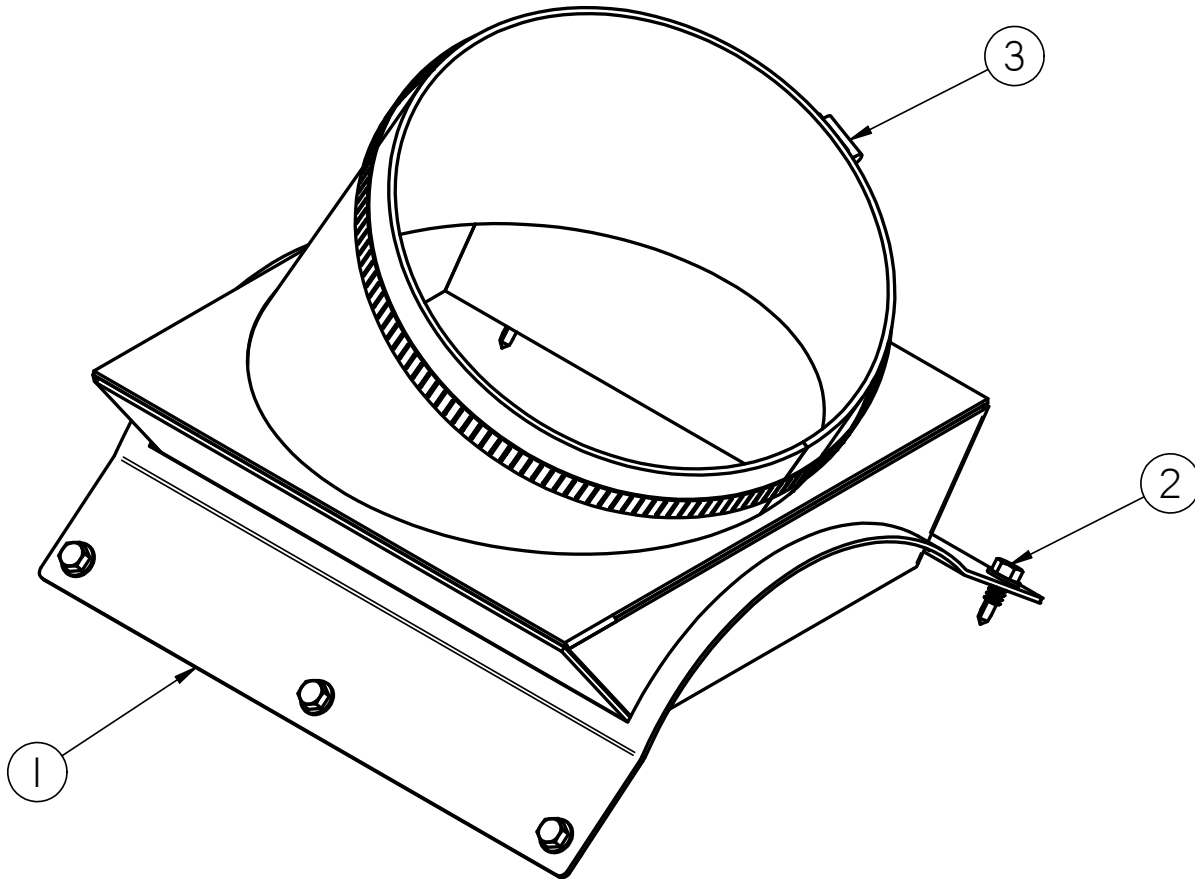
TUBE SERIES 2500 CONVEYOR

**INLET COVER ASSEMBLY (05-07-0780)**



Item #	Part #	Description	Qty
1	05-10-3433	PLT S2000 INLET HOPP SEAL	1
2	05-10-3434	PLT S2000 INLET HOPP CLMP 2	2
3	05-10-3435	PLT S2000 INLET HOPP CLMP 1	2
4	06-12-0022	RIVET POP .188 X .312 GRIP SS .65HD	20
5	103C35	PLT INLET HOPP COVER	1

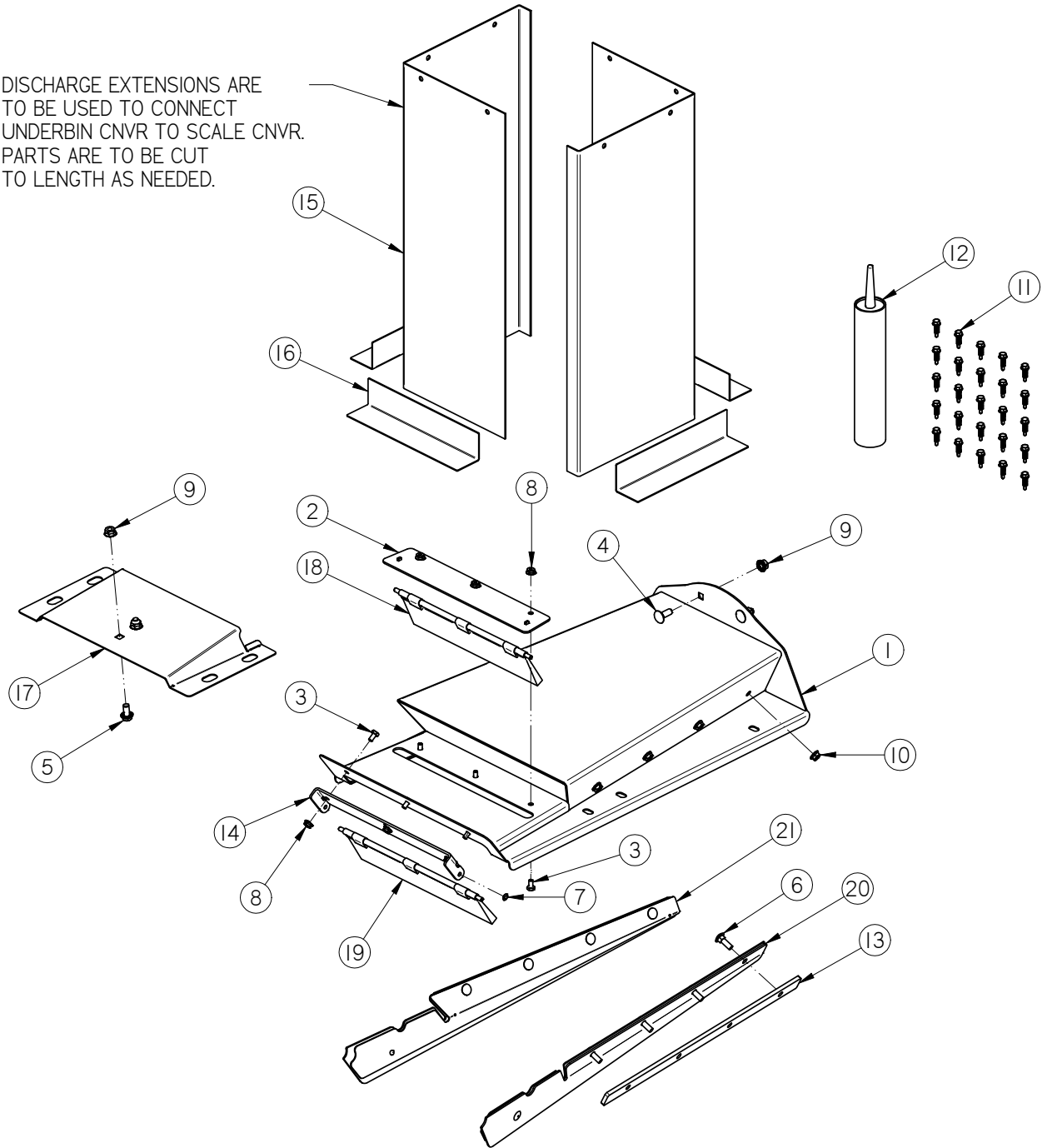
**INLET COVER 8 INCH OD 30 DEGREE ASSEMBLY (05-07-0781)**



Item #	Part #	Description	Qty
1	05-03-1579	WDMT STUB INLET 8IN 30D	1
2	06-06-0052	SCRW SDST .250-14 X .750 HH ZP	6
3	06-07-0024	CLMP HOSE 7.125 TO 10 X 9/16 SS	1
4	06-10-0011	SLNT SILC CLEAR 10.1 OZ TUBE	0.1

**BLANK INLET HOPPER ASSEMBLY (13-08-0473)**

DISCHARGE EXTENSIONS ARE TO BE USED TO CONNECT UNDERBIN CNVR TO SCALE CNVR. PARTS ARE TO BE CUT TO LENGTH AS NEEDED.



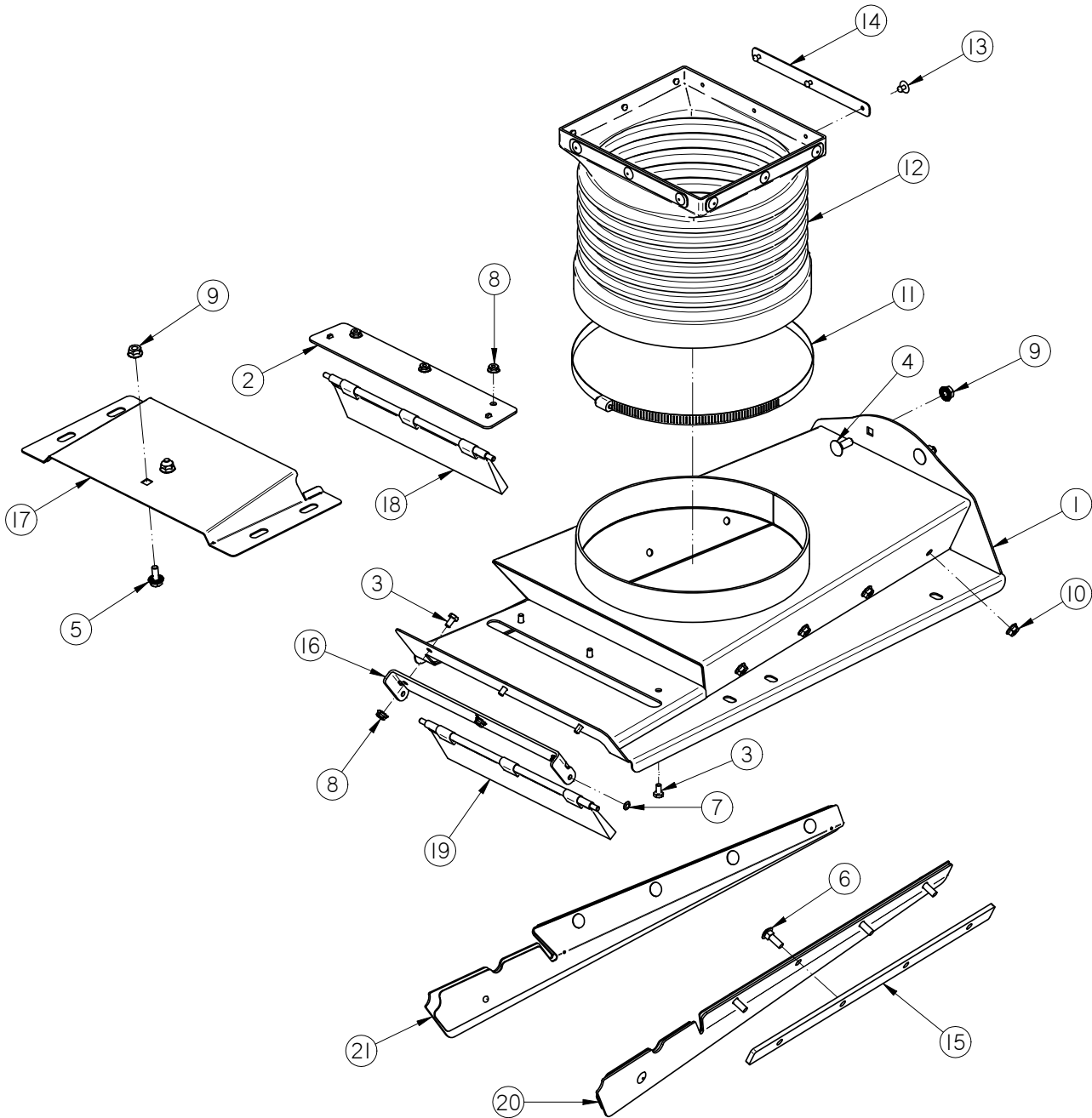


TUBE SERIES 2500 CONVEYOR

**BLANK INLET HOPPER ASSEMBLY (13-08-0473)**

Item #	Part #	Description	Qty
1	05-08-0479	WDMT INLET BLANK 8IN	1
2	05-08-0536	WDMT PIVOT BRSH PLT TS25	1
3	06-01-0004	BOLT, .250-20 X .500 UNC ZP GRADE 5	6
4	06-01-0115	BOLT CRG .375-16 X 1.00 ZP GR5	2
5	06-01-0124	BOLT FLG .375-16 X .750 ZP GR5	2
6	06-01-0223	BOLT CRG .313-18 X 1.00 ZP GR5	8
7	06-02-0100	PUSH NUT SS .250 UNTHREADED	2
8	06-03-0013	NUT,LOCK, FLG .250-20 ZP SERRATTED	6
9	06-03-0014	NUT LOCK FLG .375-16 ZP GR5	4
10	06-03-0019	NUT LOCK FLG .3125-18 ZP GR5	8
11	06-06-0037	SCRW SDST .250-14 X 1.000 HH ZP	25
12	06-10-0055	SLNT SILICONE BLK 10.1 OZ TUBE	1
13	103D17	PLT SKIRT SPACER	2
14	10472A	EAR BRUSH MNT	1
15	104B48	UB DSCHG EXT	2
16	1054EB	ANGLE ATTACH	4
17	105608	COVER CLN\OUT	1
18	13-05-0478	ASSY BRUSH W\CLIPS 11.25	1
19	13-05-0479	ASSY BRUSH W\CLIPS 11.88	1
20	13-05-0576	ASSY RH SKIRT CLPSBL TS25	1
21	13-05-0577	ASSY LH SKIRT CLPSBL TS25	1

**ROUND INLET HOPPER ASSEMBLY (13-08-0470)**

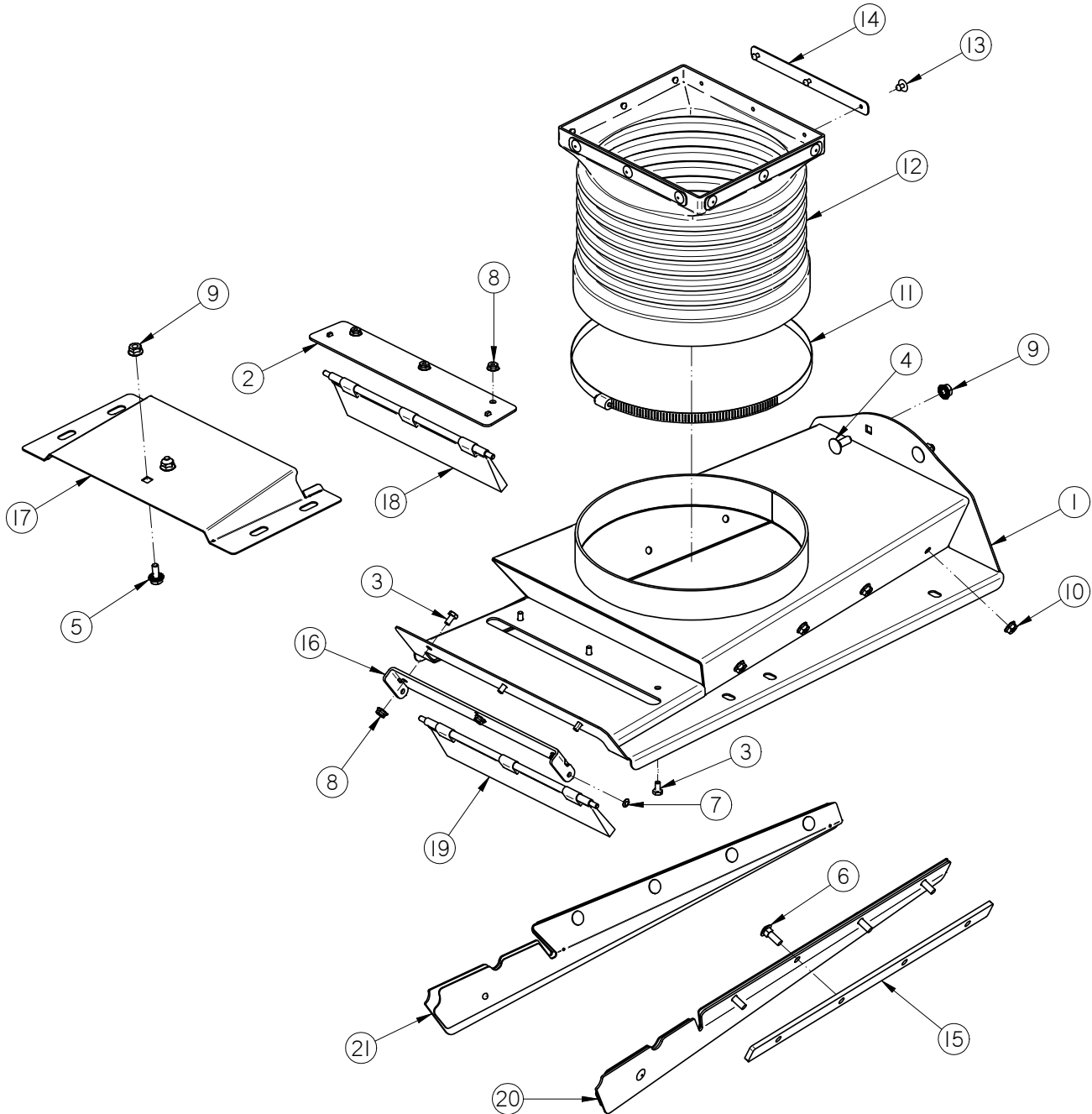


TUBE SERIES 2500 CONVEYOR

**ROUND INLET HOPPER ASSEMBLY (13-08-0470)**

Item #	Part #	Description	Qty
1	05-08-0478	WDMT INLET RND 8IN	1
2	05-08-0536	WDMT PIVOT BRSH PLT TS25	1
3	06-01-0004	BOLT, .250-20 X .500 UNC ZP GRADE 5	6
4	06-01-0115	BOLT CRG .375-16 X 1.00 ZP GR5	2
5	06-01-0124	BOLT FLG .375-16 X .750 ZP GR5	2
6	06-01-0223	BOLT CRG .313-18 X 1.00 ZP GR5	8
7	06-02-0100	PUSH NUT SS .250 UNTHREADED	2
8	06-03-0013	NUT,LOCK, FLG .250-20 ZP SERRATED	6
9	06-03-0014	NUT LOCK FLG .375-16 ZP GR5	4
10	06-03-0019	NUT LOCK FLG .3125-18 ZP GR5	8
11	06-07-0032	CLMP HOSE QR 16.25 X 9/16 SS	1
12	06-10-0047	TRANSITION SPOUT FLEXIBLE	1
13	06-12-0022	RIVET POP .188 X .312 GRIP SS .65HD	12
14	102FB6	PLT CLMP TRANS SEAL	4
15	103D17	PLT SKIRT SPACER	2
16	10472A	EAR BRUSH MNT	1
17	105608	COVER CLN\OUT	1
18	13-05-0478	ASSY BRUSH W\CLIPS 11.25	1
19	13-05-0479	ASSY BRUSH W\CLIPS 11.88	1
20	13-05-0576	ASSY RH SKIRT CLPSBL TS25	1
21	13-05-0577	ASSY LH SKIRT CLPSBL TS25	1

**INLET EXTENSION CLEAN OUT ACCESS ASSEMBLY (13-08-0538)**



TUBE SERIES 2500 CONVEYOR

**INLET EXTENSION CLEAN OUT ACCESS ASSEMBLY (13-08-0538)**

Item #	Part #	Description	Qty
1	05-08-0461	WDMT TUBE 8.00IN X 84.86IN	1
2	05-08-0464	WDMT SPLICE UNCRG MT 12IN	1
3	05-08-0638	WDMT ACCESS DOOR TS25	1
4	06-01-0115	BOLT CRG .375-16 X 1.00 ZP GR5	10
5	06-01-0124	BOLT FLG .375-16 X .750 ZP GR5	8
6	06-01-0138	BOLT, FLG .3125-18 UNC ZP GRADE 5; 3/4" LG	16
7	06-01-0150	BOLT, CARRIAGE, .250-20x.50 G5 ZP	9
8	06-01-0153	BOLT CRG .375-16X.750 ZP SHORT NECK	20
9	06-01-0261	BOLT FLG .3125-18 X .500 ZP GR5	18
10	06-02-0092	RIVETNUT .312-18 ZP	4
11	06-03-0013	NUT,LOCK, FLG .250-20 ZP SERRATED	9
12	06-03-0014	NUT LOCK FLG .375-16 ZP GR5	38
13	103B9A	PLT SPLICE COVER	2
14	1055EB	BRACE REINF CLN/OUT	2
15	13-05-0555	ASSY FRM INLET TS25 W/RIVETNUTS	1
16	13-08-0691	ASSY DOOR TS25 CLN OUT/ACCESS	1



TUBE SERIES 2500 CONVEYOR

**32 FT CONVEYOR INLET HOPPER ASSEMBLY (13-08-0545)**

Item #	Part #	Description	Qty
1	05-08-0472	WDMT INLET TS25 PORT	1
2	05-08-0536	WDMT PIVOT BRSH PLT TS25	1
3	06-01-0004	BOLT, .250-20 X .500 UNC ZP GRADE 5	6
4	06-01-0115	BOLT CRG .375-16 X 1.00 ZP GR5	2
5	06-01-0124	BOLT FLG .375-16 X .750 ZP GR5	2
6	06-01-0223	BOLT CRG .313-18 X 1.00 ZP GR5	8
7	06-02-0100	PUSH NUT SS .250 UNTHREADED	2
8	06-03-0013	NUT,LOCK, FLG .250-20 ZP SERRATTED	6
9	06-03-0014	NUT LOCK FLG .375-16 ZP GR5	4
10	06-03-0019	NUT LOCK FLG .3125-18 ZP GR5	8
11	103D17	PLT SKIRT SPACER	2
12	10472A	EAR BRUSH MNT	1
13	105608	COVER CLN\OUT	1
14	13-05-0478	ASSY BRUSH W\CLIPS 11.25	1
15	13-05-0479	ASSY BRUSH W\CLIPS 11.88	1
16	13-05-0576	ASSY RH SKIRT CLPSBL TS25	1
17	13-05-0577	ASSY LH SKIRT CLPSBL TS25	1



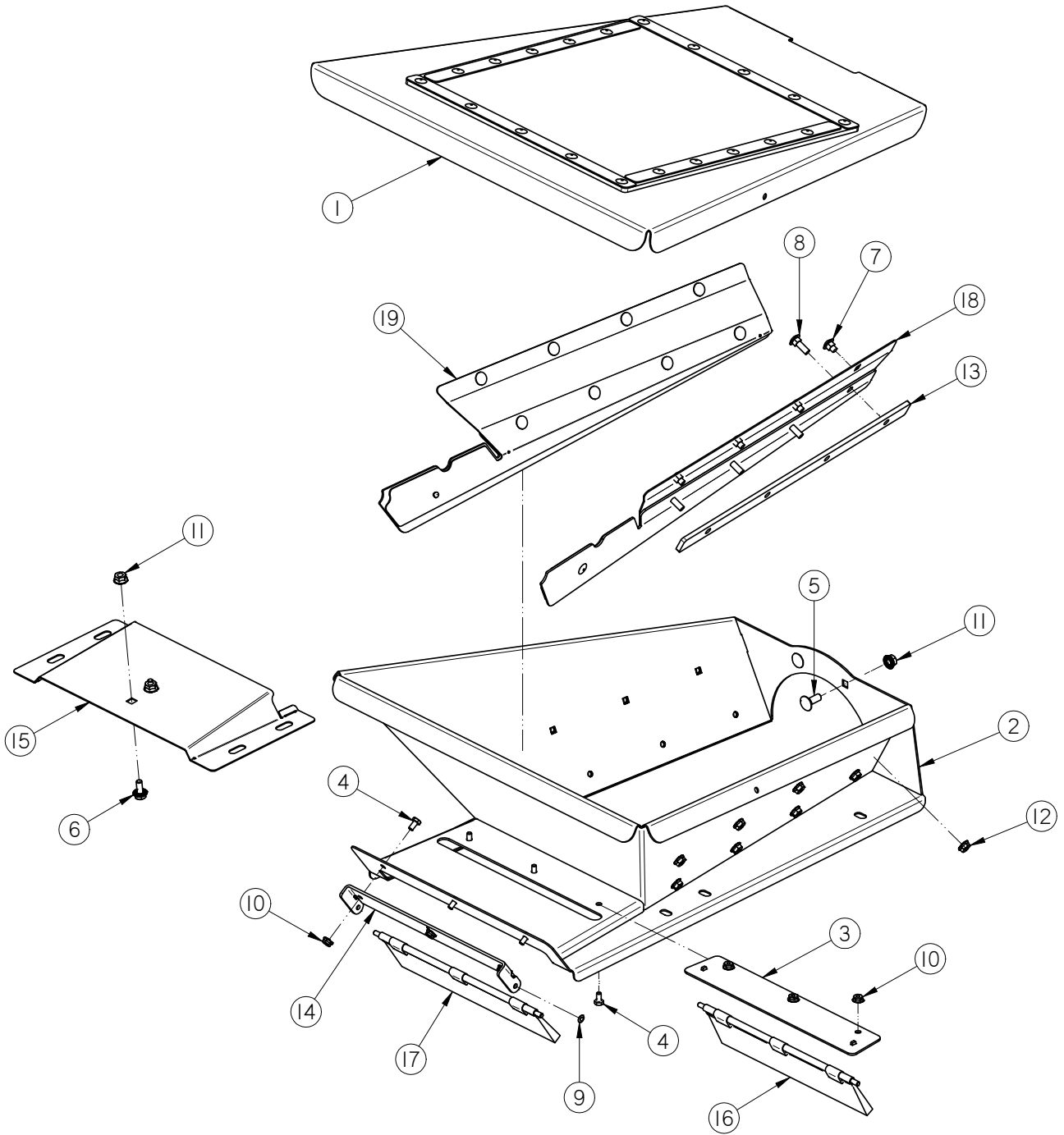


TUBE SERIES 2500 CONVEYOR

**LARGE INLET HOPPER ASSEMBLY (13-08-0540)**

Item #	Part #	Description	Qty
1	05-08-0477	WDMT LG INLET 8IN RND	1
2	05-08-0536	WDMT PIVOT BRSH PLT TS25	1
3	06-01-0004	BOLT, .250-20 X .500 UNC ZP GRADE 5	6
4	06-01-0115	BOLT CRG .375-16 X 1.00 ZP GR5	2
5	06-01-0124	BOLT FLG .375-16 X .750 ZP GR5	2
6	06-01-0129	BOLT CRG .313-18 X .50 ZP GR5	8
7	06-01-0223	BOLT CRG .313-18 X 1.00 ZP GR5	8
8	06-02-0100	PUSH NUT SS .250 UNTHREADED	2
9	06-03-0013	NUT,LOCK, FLG .250-20 ZP SERRATED	6
10	06-03-0014	NUT LOCK FLG .375-16 ZP GR5	4
11	06-03-0019	NUT LOCK FLG .3125-18 ZP GR5	16
12	103D17	PLT SKIRT SPACER	2
13	10472A	EAR BRUSH MNT	1
14	105608	COVER CLN\OUT	1
15	13-05-0478	ASSY BRUSH W\CLIPS 11.25	1
16	13-05-0479	ASSY BRUSH W\CLIPS 11.88	1
17	13-05-0582	ASSY SKIRT RH TS25	1
18	13-05-0583	ASSY SKIRT RIGID TS25	1

**RIGID INLET HOPPER ASSEMBLY (13-08-0471)**

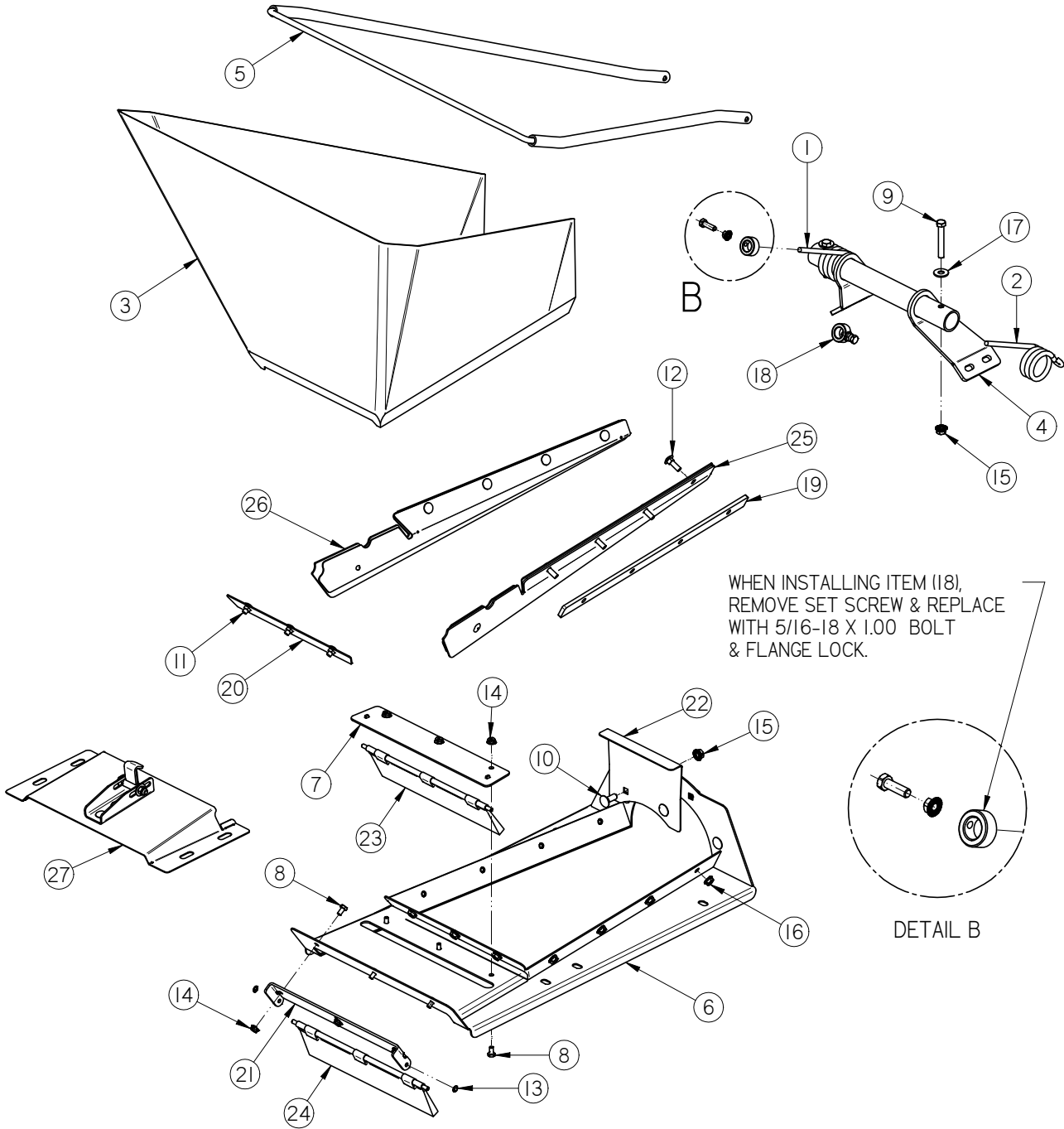


TUBE SERIES 2500 CONVEYOR

**RIGID INLET HOPPER ASSEMBLY (13-08-0471)**

Item #	Part #	Description	Qty
1	05-07-0780	ASSY INLET CVR 8IN RND CNVR	1
2	05-08-0475	WDMT INLET RIGID TS25	1
3	05-08-0536	WDMT PIVOT BRSH PLT TS25	1
4	06-01-0004	BOLT, .250-20 X .500 UNC ZP GRADE 5	6
5	06-01-0115	BOLT CRG .375-16 X 1.00 ZP GR5	2
6	06-01-0124	BOLT FLG .375-16 X .750 ZP GR5	2
7	06-01-0129	BOLT CRG .313-18 X .50 ZP GR5	8
8	06-01-0223	BOLT CRG .313-18 X 1.00 ZP GR5	8
9	06-02-0100	PUSH NUT SS .250 UNTHREADED	2
10	06-03-0013	NUT,LOCK, FLG .250-20 ZP SERRATED	6
11	06-03-0014	NUT LOCK FLG .375-16 ZP GR5	4
12	06-03-0019	NUT LOCK FLG .3125-18 ZP GR5	16
13	103D17	PLT SKIRT SPACER	2
14	10472A	EAR BRUSH MNT	1
15	105608	COVER CLN\OUT	1
16	13-05-0478	ASSY BRUSH W\CLIPS 11.25	1
17	13-05-0479	ASSY BRUSH W\CLIPS 11.88	1
18	13-05-0582	ASSY SKIRT RH TS25	1
19	13-05-0583	ASSY SKIRT RIGID TS25	1

**COLLAPSIBLE INLET HOPPER ASSEMBLY (13-08-0472)**

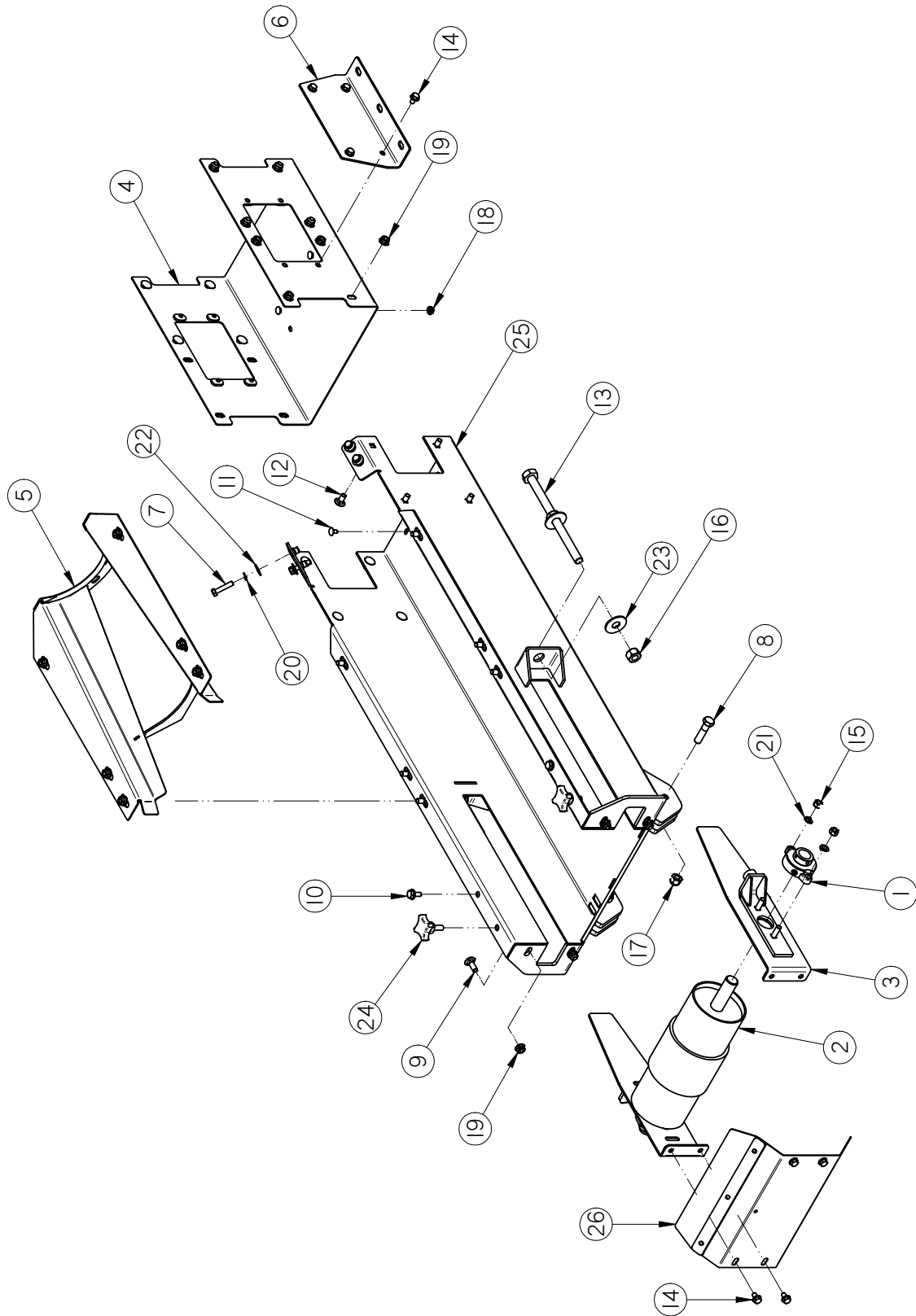


TUBE SERIES 2500 CONVEYOR

**COLLAPSIBLE INLET HOPPER ASSEMBLY (13-08-0472)**

Item #	Part #	Description	Qty
1	01-04-0061	CLPSBL HOPP SPRING LH	1
2	01-04-0062	CLPSBL HOPP SPRING RH	1
3	01-13-0019	TARP CLPSBL 8IN RND CNVR	1
4	05-08-0458	WDMT SPRG ATTACH CLPSBL 12IN	1
5	05-08-0459	WDMT FRAME CLPSBL 12IN	1
6	05-08-0476	WDMT INLET PLT CLPSBL 12IN	1
7	05-08-0536	WDMT PIVOT BRSH PLT TS25	1
8	06-01-0004	BOLT, .250-20 X .500 UNC ZP GRADE 5	6
9	06-01-0071	BOLT .375-16 X 2.50 ZP GR5	2
10	06-01-0115	BOLT CRG .375-16 X 1.00 ZP GR5	4
11	06-01-0129	BOLT CRG .313-18 X .50 ZP GR5	3
12	06-01-0223	BOLT CRG .313-18 X 1.00 ZP GR5	8
13	06-02-0100	PUSH NUT SS .250 UNTHREADED	2
14	06-03-0013	NUT,LOCK, FLG .250-20 ZP SERRATED	6
15	06-03-0014	NUT LOCK FLG .375-16 ZP GR5	6
16	06-03-0019	NUT LOCK FLG .3125-18 ZP GR5	11
17	06-05-0004	WSHR FLAT .375 ZP	2
18	06-12-0057	COLLAR SET 1 5/16OD X 13/16ID	2
19	103D17	PLT SKIRT SPACER	2
20	103FAF	PLT SEAL CLMP REAR 12IN	1
21	10472A	EAR BRUSH MNT	1
22	1052F3	PLT CLPSBL DFLT TS25	1
23	13-05-0478	ASSY BRUSH W\CLIPS 11.25	1
24	13-05-0479	ASSY BRUSH W\CLIPS 11.88	1
25	13-05-0576	ASSY RH SKIRT CLPSBL TS25	1
26	13-05-0577	ASSY LH SKIRT CLPSBL TS25	1
27	13-08-0731	ASSY CLN-OUT DOOR W/LATCH TS25	1

**INLET END ASSEMBLY (13-08-0532)**



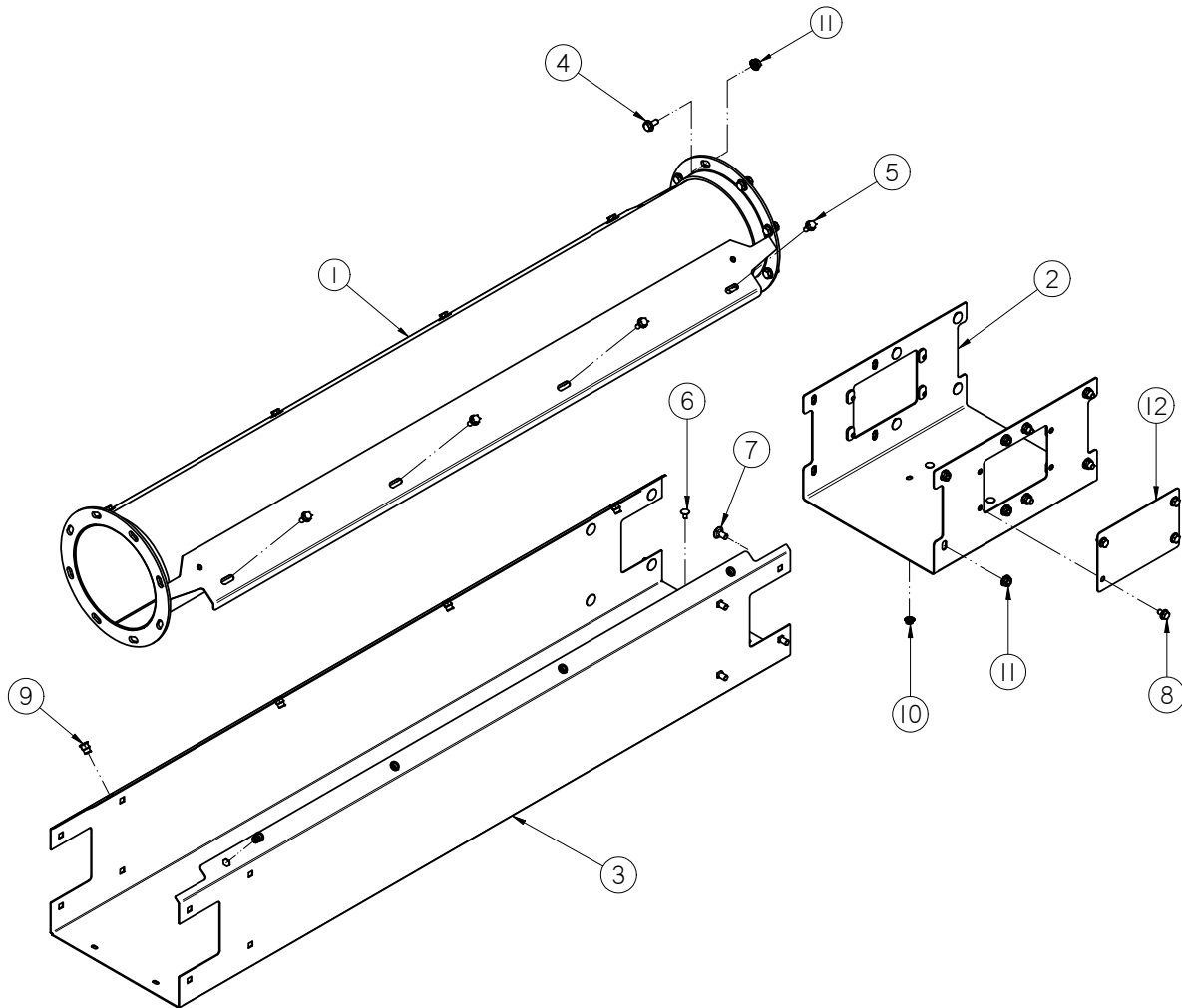
TUBE SERIES 2500 CONVEYOR

**INLET END ASSEMBLY (13-08-0532)**

Item #	Part #	Description	Qty
1	01-03-0042	BRG FLG MNT 1.000ID 2BOLT ECNTRC	2
2	01-08-0108	PULLEY TAIL W-LAGGING	1
3	05-08-0404	WDMT TAKE-UP PLT RND CNVR	2
4	05-08-0419	WDMT SPLICE 12IN	1
5	05-08-0569	WDMT TAIL TRANS TS25	1
6	05-10-4339	PLT STOP MOUNT	2
7	06-01-0013	BOLT, .312-18 UNC ZP GRADE 5; 1.50" LG	4
8	06-01-0027	BOLT .500-13 X 2.00 ZP GR5	2
9	06-01-0115	BOLT CRG .375-16 X 1.00 ZP GR5	4
10	06-01-0124	BOLT FLG .375-16 X .750 ZP GR5	2
11	06-01-0150	BOLT, CARRIAGE, .250-20x.50 G5 ZP	4
12	06-01-0153	BOLT CRG .375-16X.750 ZP SHORT NECK	22
13	06-01-0249	BOLT .625-11 X 9.00 ZP GR5 FTH	2
14	06-01-0261	BOLT FLG .3125-18 X .500 ZP GR5	12
15	06-02-0003	NUT FULL .375-16 ZP GR5	4
16	06-02-0005	NUT, .625-11 UNC ZP GRADE 5	4
17	06-03-0004	NUT NYL LOCK .500-13 ZP GR5	2
18	06-03-0013	NUT,LOCK, FLG .250-20 ZP SERRATED	4
19	06-03-0014	NUT LOCK FLG .375-16 ZP GR5	28
20	06-04-0002	WSHR LOCK SPLT .313 ZP	4
21	06-04-0003	WSHR LOCK SPLT .375 ZP	4
22	06-05-0003	WSHR FLAT .313 ZP	4
23	06-05-0006	WASHER, .625 FLAT ZP	4
24	06-09-0066	KNOB .375 -16 X 1. 4 LUG PLASTIC	2
25	13-05-0523	ASSY INLET FRAME W/RIVETNUTS TS25	1
26	13-08-0722	ASSY BAFFLE W/SEAL TS25	1

TUBE SERIES 2500 CONVEYOR

**5 FT MID SECTION ASSEMBLY (13-08-0506)**

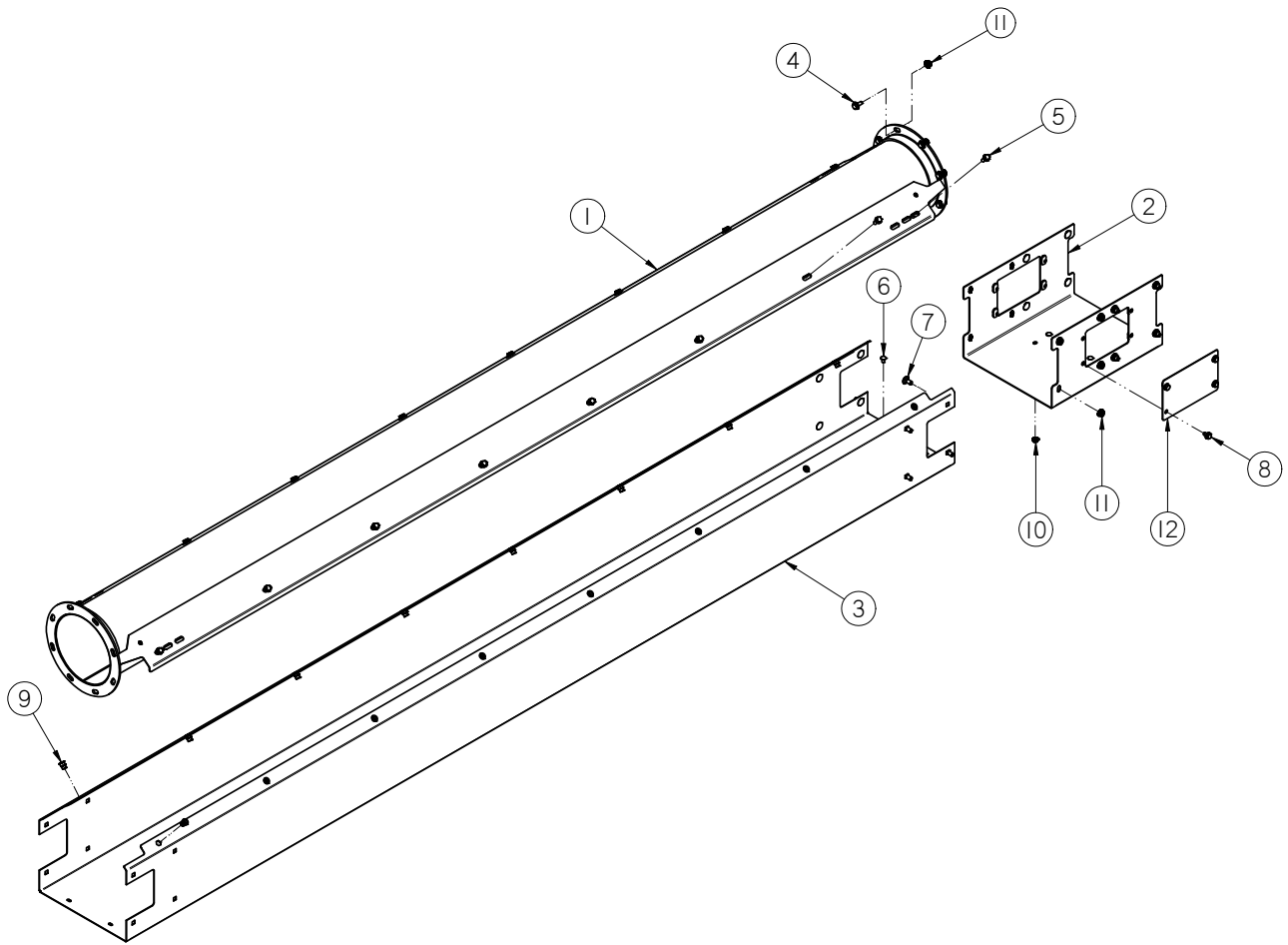


Item #	Part #	Description	Qty
1	05-08-0414	WDMT TUBE 8.00IN X 60IN	1
2	05-08-0419	WDMT SPLICE 12IN	1
3	05-10-4323	FRAME 5FT X 12IN MID SEC	1
4	06-01-0124	BOLT FLG .375-16 X .750 ZP GR5	8
5	06-01-0138	BOLT, FLG .3125-18 UNC ZP GRADE 5; 3/4" LG	8
6	06-01-0150	BOLT, CARRIAGE, .250-20x.50 G5 ZP	4
7	06-01-0153	BOLT CRG .375-16X.750 ZP SHORT NECK	16
8	06-01-0261	BOLT FLG .3125-18 X .500 ZP GR5	8
9	06-02-0092	RIVETNUT .312-18 ZP	8
10	06-03-0013	NUT,LOCK, FLG .250-20 ZP SERRATTED	4
11	06-03-0014	NUT LOCK FLG .375-16 ZP GR5	24
12	103B9A	PLT SPLICE COVER	2



TUBE SERIES 2500 CONVEYOR

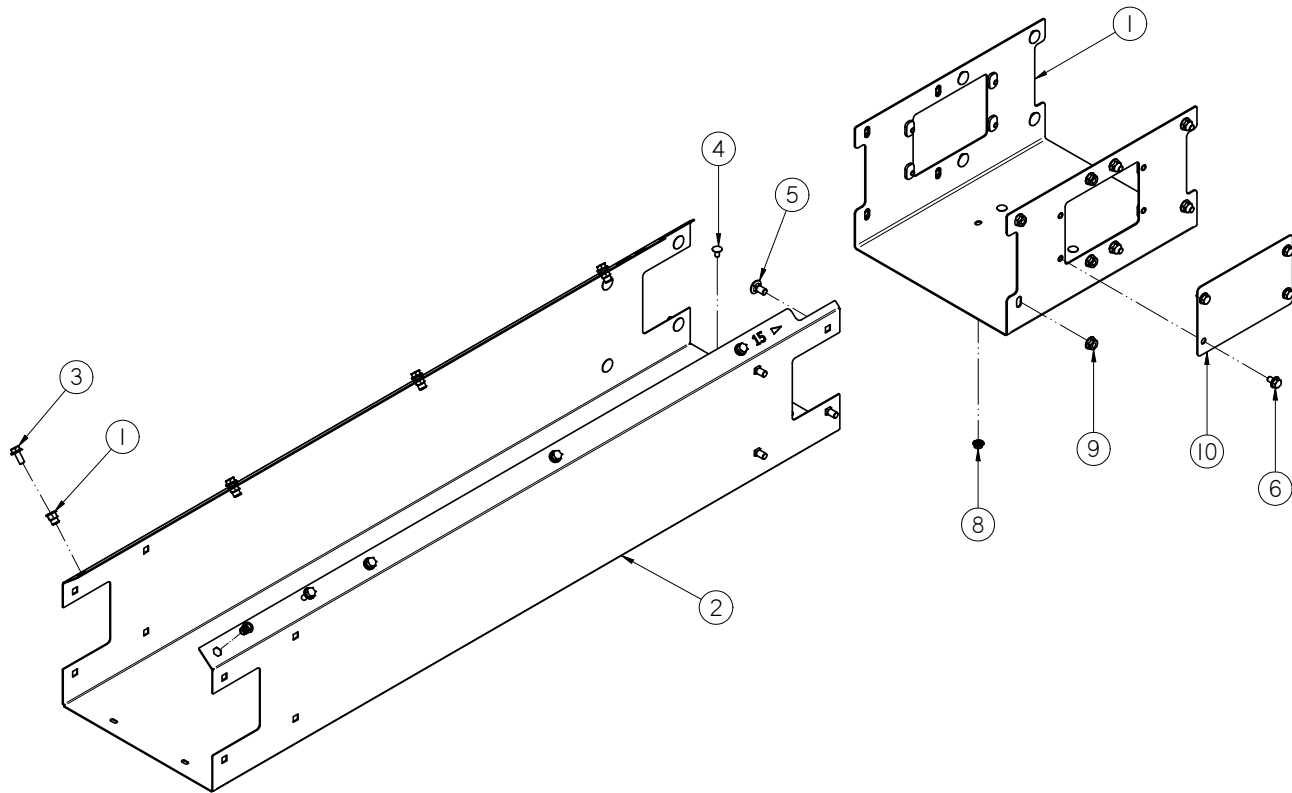
**10 FT MID SECTION ASSEMBLY (13-08-0507)**



Item #	Part #	Description	Qty
1	05-08-0415	WDMT TUBE 8.00IN X 120IN	1
2	05-08-0419	WDMT SPLICE 12IN	1
3	05-10-4324	FRAME 10FT X 12IN MID SEC	1
4	06-01-0124	BOLT FLG .375-16 X .750 ZP GR5	8
5	06-01-0138	BOLT, FLG .3125-18 UNC ZP GRADE 5; 3/4" LG	16
6	06-01-0150	BOLT, CARRIAGE, .250-20x.50 G5 ZP	4
7	06-01-0153	BOLT CRG .375-16X.750 ZP SHORT NECK	16
8	06-01-0261	BOLT FLG .3125-18 X .500 ZP GR5	8
9	06-02-0092	RIVETNUT .312-18 ZP	16
10	06-03-0013	NUT,LOCK, FLG .250-20 ZP SERRATTED	4
11	06-03-0014	NUT LOCK FLG .375-16 ZP GR5	24
12	103B9A	PLT SPLICE COVER	2

TUBE SERIES 2500 CONVEYOR

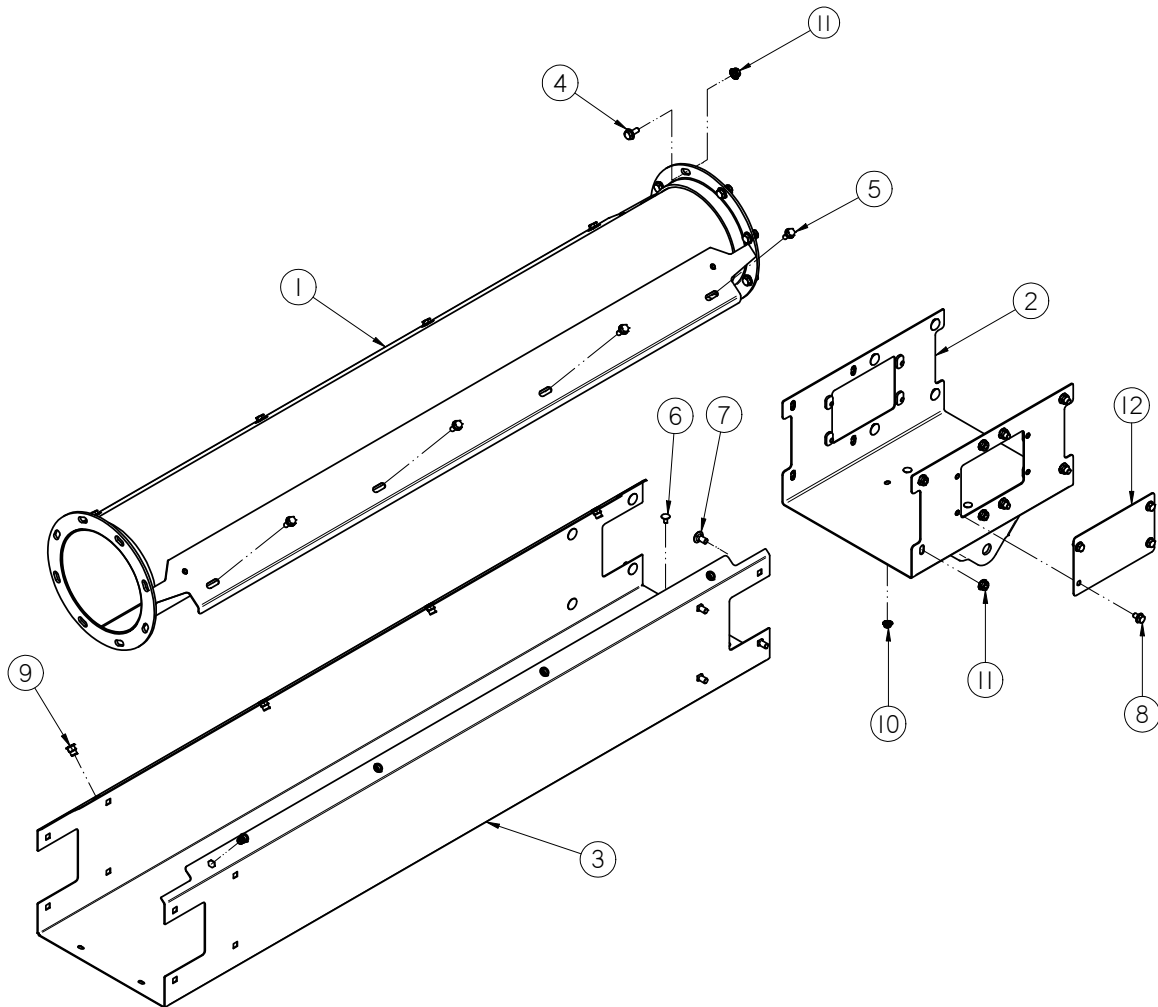
**2515 INLET EXTENSION ASSEMBLY (13-08-0548)**



Item #	Part #	Description	Qty
1	05-08-0419	WDMT SPLICE 12IN	1
2	05-10-4368	FRAME INLET SEC TS2515	1
3	06-01-0138	BOLT, FLG .3125-18 UNC ZP GRADE 5; 3/4" LG	8
4	06-01-0150	BOLT, CARRIAGE, .250-20x.50 G5 ZP	4
5	06-01-0153	BOLT CRG .375-16X.750 ZP SHORT NECK	16
6	06-01-0261	BOLT FLG .3125-18 X .500 ZP GR5	8
7	06-02-0092	RIVETNUT .312-18 ZP	8
8	06-03-0013	NUT,LOCK, FLG .250-20 ZP SERRATTED	4
9	06-03-0014	NUT LOCK FLG .375-16 ZP GR5	16
10	103B9A	PLT SPLICE COVER	2

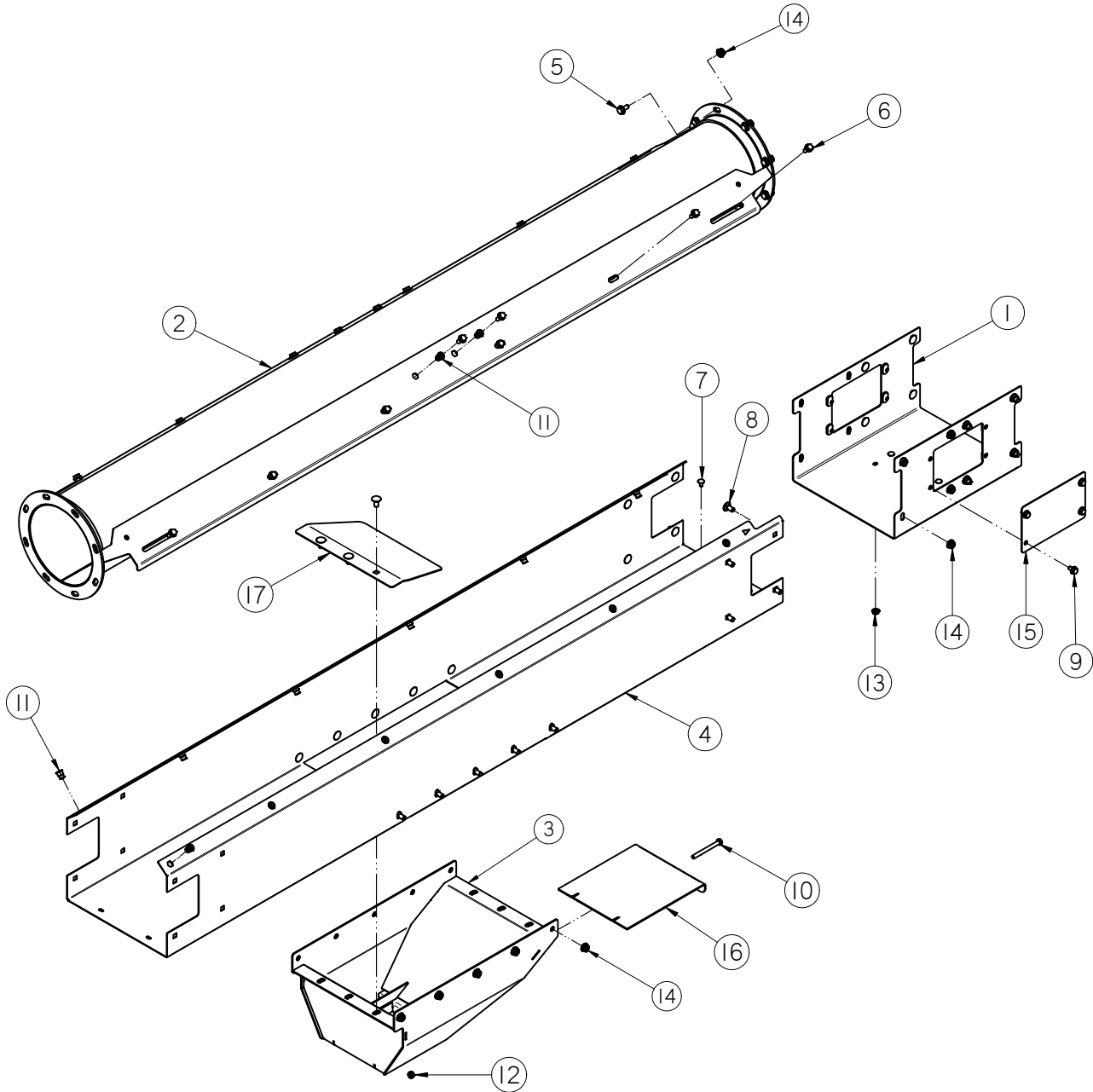
TUBE SERIES 2500 CONVEYOR

**5FT MOUNTING SECTION ASSEMBLY (13-08-0572)**



Item #	Part #	Description	Qty
1	05-08-0414	WDMT TUBE 8.00IN X 60IN	1
2	05-08-0464	WDMT SPLICE UNCRG MT 12IN	1
3	05-10-4323	FRAME 5FT X 12IN MID SEC	1
4	06-01-0124	BOLT FLG .375-16 X .750 ZP GR5	8
5	06-01-0138	BOLT, FLG .3125-18 UNC ZP GRADE 5; 3/4" LG	8
6	06-01-0150	BOLT, CARRIAGE, .250-20x.50 G5 ZP	4
7	06-01-0153	BOLT CRG .375-16X.750 ZP SHORT NECK	16
8	06-01-0261	BOLT FLG .3125-18 X .500 ZP GR5	8
9	06-02-0092	RIVETNUT .312-18 ZP	8
10	06-03-0013	NUT, LOCK, FLG .250-20 ZP SERRATTED	4
11	06-03-0014	NUT LOCK FLG .375-16 ZP GR5	24
12	103B9A	PLT SPLICE COVER	2

**INLET EXTENSION CLEAN OUT ASSEMBLY (13-08-0668)**

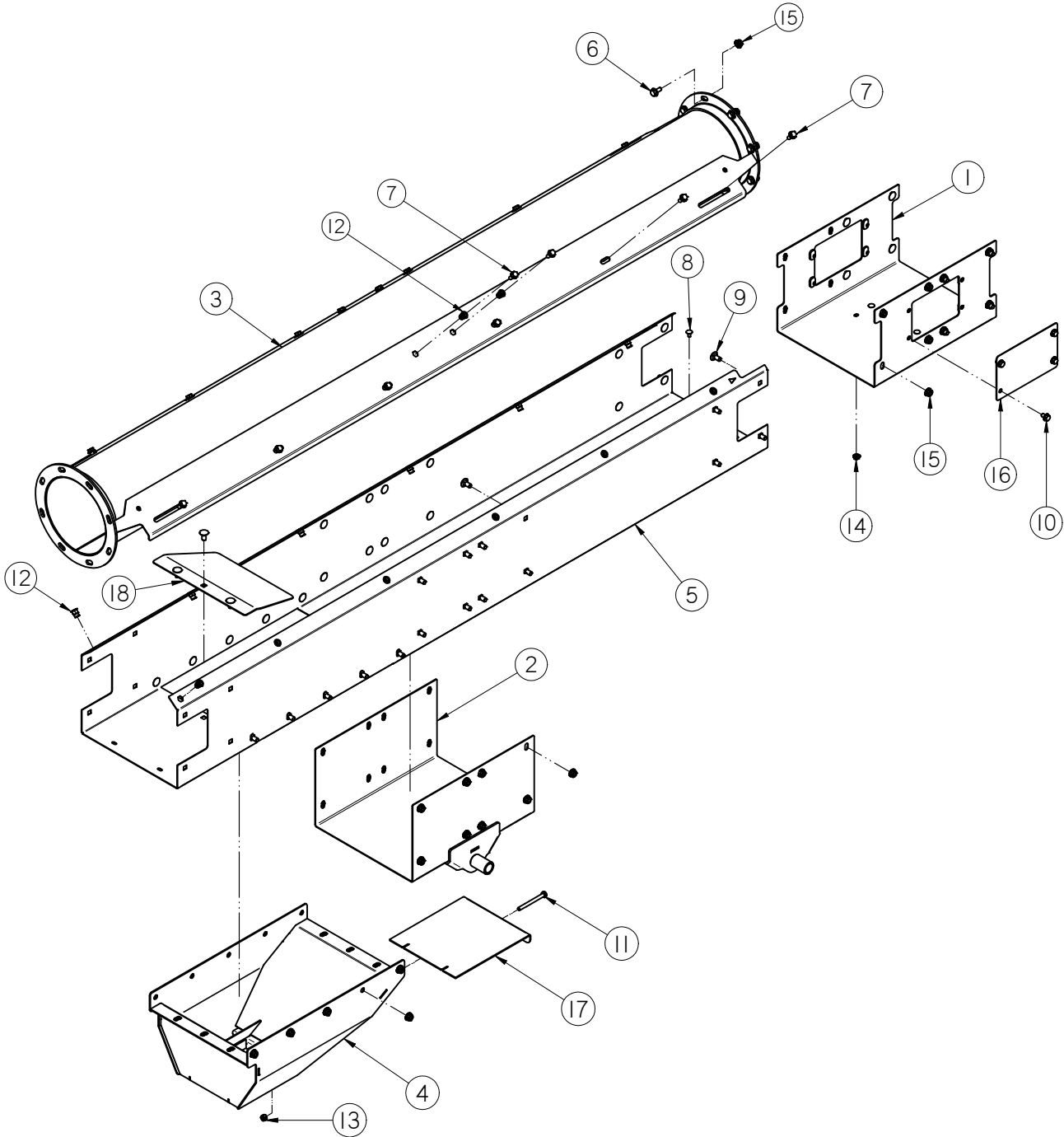


TUBE SERIES 2500 CONVEYOR

**INLET EXTENSION CLEAN OUT ASSEMBLY (13-08-0668)**

Item #	Part #	Description	Qty
1	05-08-0419	WDMT SPLICE 12IN	1
2	05-08-0461	WDMT TUBE 8.00IN X 84.86IN	1
3	05-08-0610	WDMT CLEAN OUT	1
4	05-10-4524	FRAME INLET SEC CLN OUT	1
5	06-01-0124	BOLT FLG .375-16 X .750 ZP GR5	8
6	06-01-0138	BOLT, FLG .3125-18 UNC ZP GRADE 5; 3/4" LG	16
7	06-01-0150	BOLT, CARRIAGE, .250-20x.50 G5 ZP	4
8	06-01-0153	BOLT CRG .375-16X.750 ZP SHORT NECK	32
9	06-01-0261	BOLT FLG .3125-18 X .500 ZP GR5	8
10	06-01-0311	BOLT .313-18 X 3.25 ZP GR5	1
11	06-02-0092	RIVETNUT .312-18 ZP	16
12	06-03-0002	NUT NYL LOCK .313-18 ZP GR5	1
13	06-03-0013	NUT,LOCK, FLG .250-20 ZP SERRATED	4
14	06-03-0014	NUT LOCK FLG .375-16 ZP GR5	40
15	103B9A	PLT SPLICE COVER	2
16	1050CF	PLT DOOR CLEAN OUT	1
17	1050E8	PLT BELT GUIDE	1

**INLET CLEAN OUT ASSEMBLY (13-08-0674)**

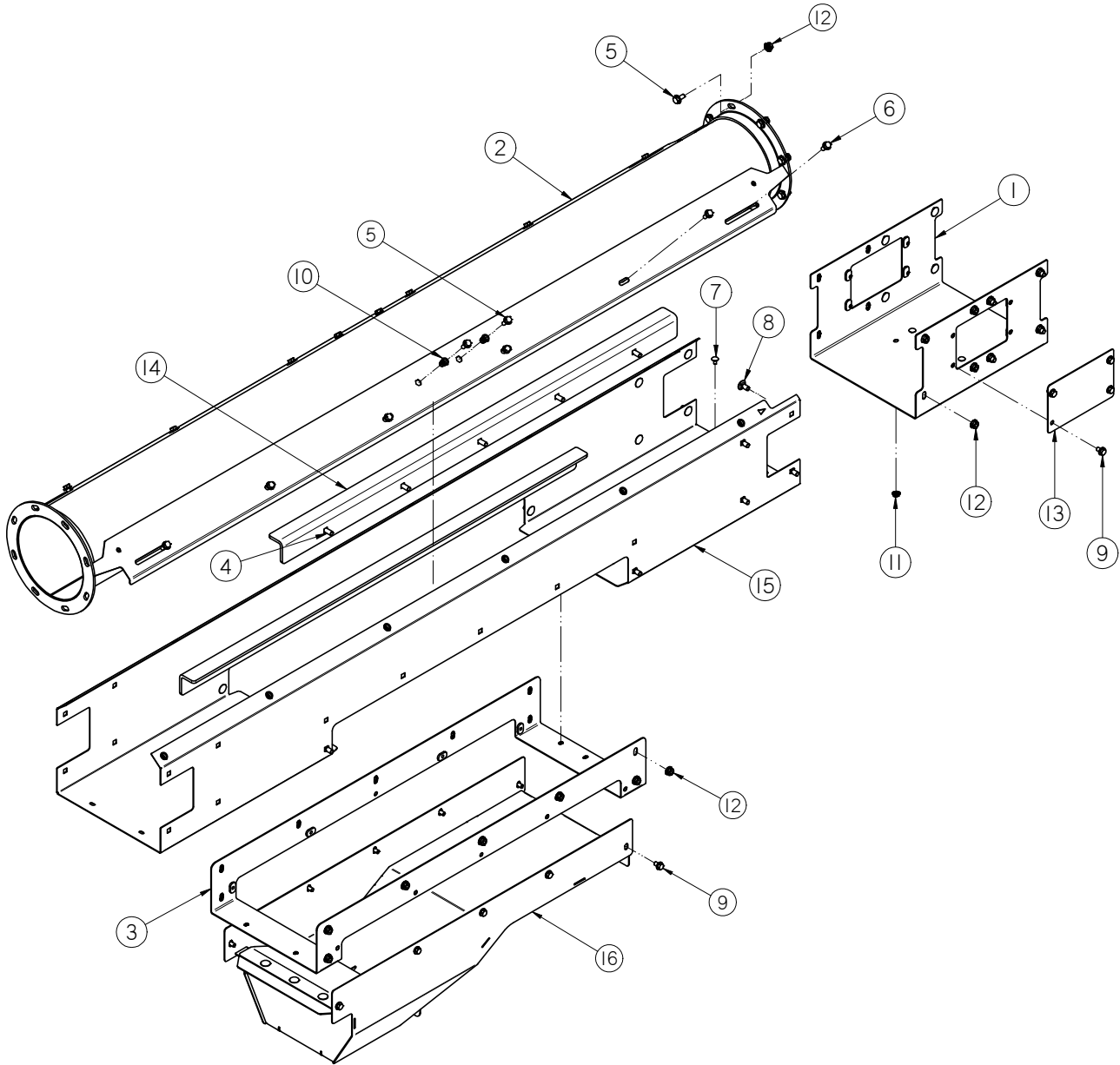


TUBE SERIES 2500 CONVEYOR

**INLET CLEAN OUT ASSEMBLY (13-08-0674)**

Item #	Part #	Description	Qty
1	05-08-0419	WDMT SPLICE 12IN	1
2	05-08-0420	WDMT SPLICE 12IN MNT	1
3	05-08-0461	WDMT TUBE 8.00IN X 84.86IN	1
4	05-08-0610	WDMT CLEAN OUT	1
5	05-10-4530	FRAME INLET SEC CLN/OUT TS25	1
6	06-01-0124	BOLT FLG .375-16 X .750 ZP GR5	8
7	06-01-0138	BOLT, FLG .3125-18 UNC ZP GRADE 5; 3/4" LG	16
8	06-01-0150	BOLT, CARRIAGE, .250-20x.50 G5 ZP	4
9	06-01-0153	BOLT CRG .375-16X.750 ZP SHORT NECK	48
10	06-01-0261	BOLT FLG .3125-18 X .500 ZP GR5	8
11	06-01-0311	BOLT .313-18 X 3.25 ZP GR5	1
12	06-02-0092	RIVETNUT .312-18 ZP	16
13	06-03-0002	NUT NYL LOCK .313-18 ZP GR5	1
14	06-03-0013	NUT,LOCK, FLG .250-20 ZP SERRATED	4
15	06-03-0014	NUT LOCK FLG .375-16 ZP GR5	56
16	103B9A	PLT SPLICE COVER	2
17	1050CF	PLT DOOR CLEAN OUT	1
18	1050E8	PLT BELT GUIDE	1

**INLET EXTENSION CLEAN OUT ACCESS ASSEMBLY (13-08-0541)**



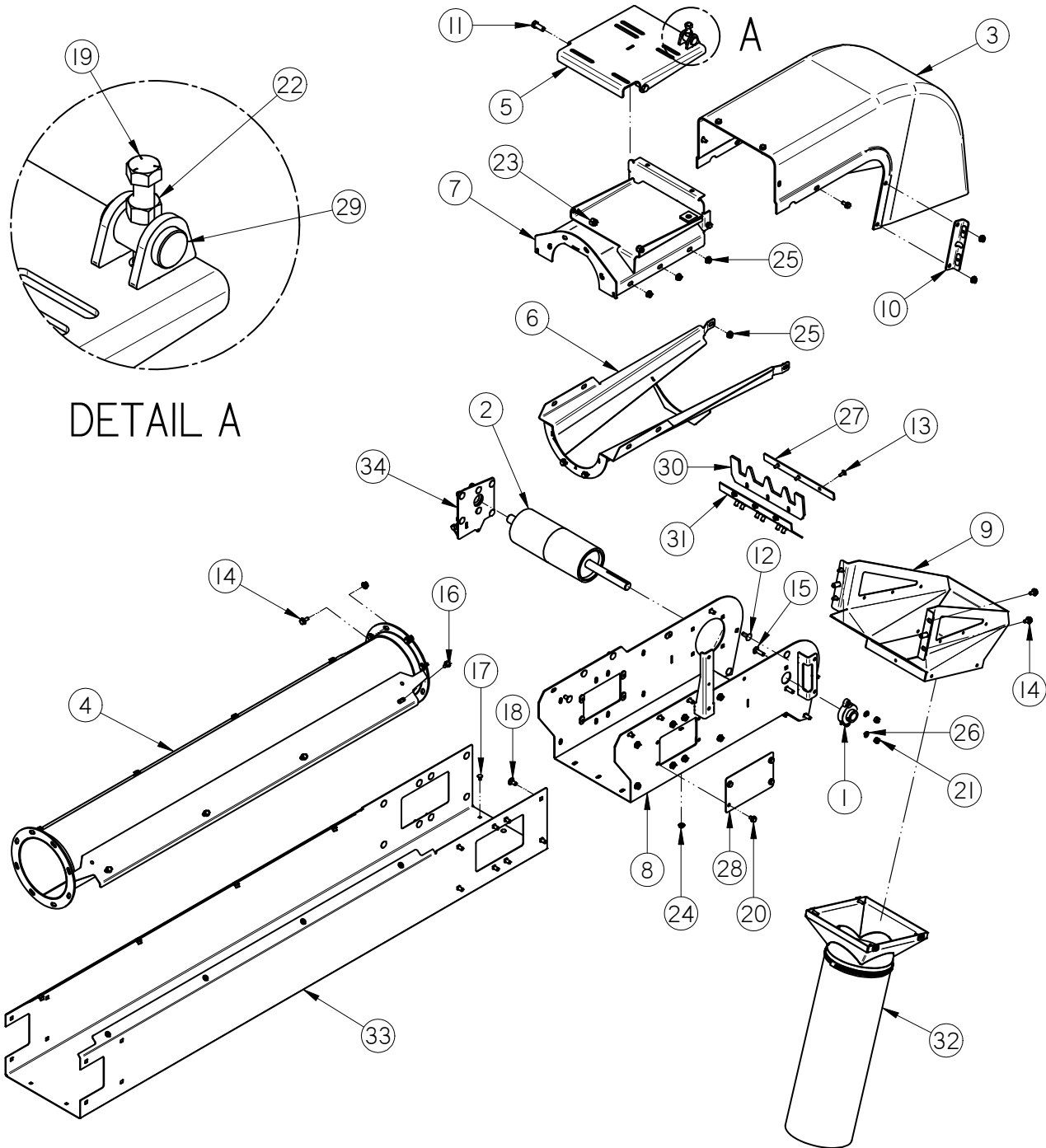


TUBE SERIES 2500 CONVEYOR

**INLET EXTENSION CLEAN OUT ACCESS ASSEMBLY (13-08-0541)**

Item #	Part #	Description	Qty
1	05-08-0419	WDMT SPLICE 12IN	1
2	05-08-0461	WDMT TUBE 8.00IN X 84.86IN	1
3	05-08-0638	WDMT ACCESS DOOR TS25	1
4	06-01-0115	BOLT CRG .375-16 X 1.00 ZP GR5	10
5	06-01-0124	BOLT FLG .375-16 X .750 ZP GR5	8
6	06-01-0138	BOLT, FLG .3125-18 UNC ZP GRADE 5; 3/4" LG	16
7	06-01-0150	BOLT, CARRIAGE, .250-20x.50 G5 ZP	9
8	06-01-0153	BOLT CRG .375-16X.750 ZP SHORT NECK	20
9	06-01-0261	BOLT FLG .3125-18 X .500 ZP GR5	18
10	06-02-0092	RIVETNUT .312-18 ZP	4
11	06-03-0013	NUT,LOCK, FLG .250-20 ZP SERRATED	9
12	06-03-0014	NUT LOCK FLG .375-16 ZP GR5	38
13	103B9A	PLT SPLICE COVER	2
14	1055EB	BRACE REINF CLN/OUT	2
15	13-05-0555	ASSY FRM INLET TS25 W/RIVETNUTS	1
16	13-08-0691	ASSY DOOR TS25 CLN OUT/ACCESS	1

**TS2500 HEAD SECTION ASSEMBLY (13-08-0662)**

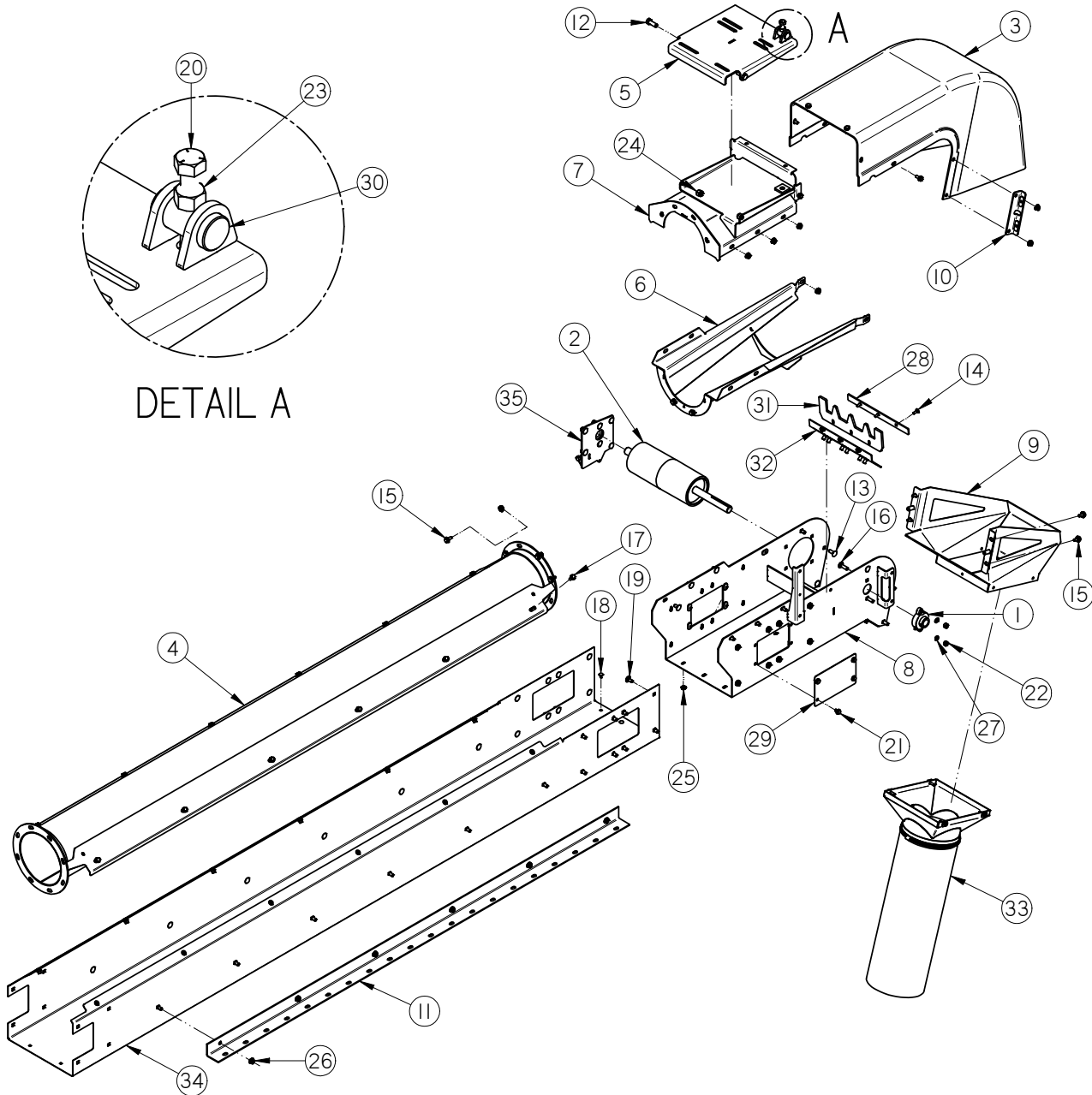


TUBE SERIES 2500 CONVEYOR

**TS2500 HEAD SECTION ASSEMBLY (13-08-0662)**

Item #	Part #	Description	Qty
1	01-03-0042	BRG FLG MNT 1.000ID 2BOLT ECNTRC	1
2	01-08-0109	PULLEY HEAD VULC TS2500	1
3	05-06-0131	COVER HD TS25 DD	1
4	05-08-0414	WDMT TUBE 8.00IN X 60IN	1
5	05-08-0549	WDMT MTR MNT PLT LG	1
6	05-08-0564	WDMT HD TRANS TS25	1
7	05-08-0565	WDMT HD CVR TS25	1
8	05-08-0566	WDMT DSCHG HD TS25	1
9	05-08-0567	WDMT DSCHG HD SPOUT TS25	1
10	05-08-0568	WDMT DSCHG HD MNT PLT	2
11	06-01-0080	BOLT .500-13 X 1.25 ZP GR5	2
12	06-01-0115	BOLT CRG .375-16 X 1.00 ZP GR5	4
13	06-01-0122	BOLT, CARRIAGE, .250-20x.75 G5 ZP	3
14	06-01-0124	BOLT FLG .375-16 X .750 ZP GR5	10
15	06-01-0127	BOLT CRG .375-16 X 1.25 ZP GR5	2
16	06-01-0138	BOLT, FLG .3125-18 UNC ZP GRADE 5; 3/4" LG	14
17	06-01-0150	BOLT, CARRIAGE, .250-20x.50 G5 ZP	6
18	06-01-0153	BOLT CRG .375-16X.750 ZP SHORT NECK	30
19	06-01-0221	BOLT, .500-13 X 4.50 ZP GR5 FTH	1
20	06-01-0261	BOLT FLG .3125-18 X .500 ZP GR5	8
21	06-02-0003	NUT FULL .375-16 ZP GR5	2
22	06-02-0004	NUT FULL .500-13 ZP GR5	1
23	06-03-0004	NUT NYL LOCK .500-13 ZP GR5	2
24	06-03-0013	NUT,LOCK, FLG .250-20 ZP SERRATTED	9
25	06-03-0014	NUT LOCK FLG .375-16 ZP GR5	40
26	06-04-0003	WSHR LOCK SPLT .375 ZP	2
27	103B39	PLT SCRAPER HLDR 12IN CNVR	1
28	103B9A	PLT SPLICE COVER	2
29	10414A	PIN MTR PIVOT	1
30	104259	RBBR SCRAPER 12IN FILL	1
31	104C11	PLT BAFFLE MNT	1
32	13-05-0227B	ASSY 8ID FLEX SPOUT S2000	1
33	13-05-0529	ASSY FRAME HD TS2532 W/RIVETNUTS	1
34	13-08-0564	ASSY TRACKING PLT HD	1

**TS2500 HEAD SECTION ASSEMBLY (13-08-0652)**



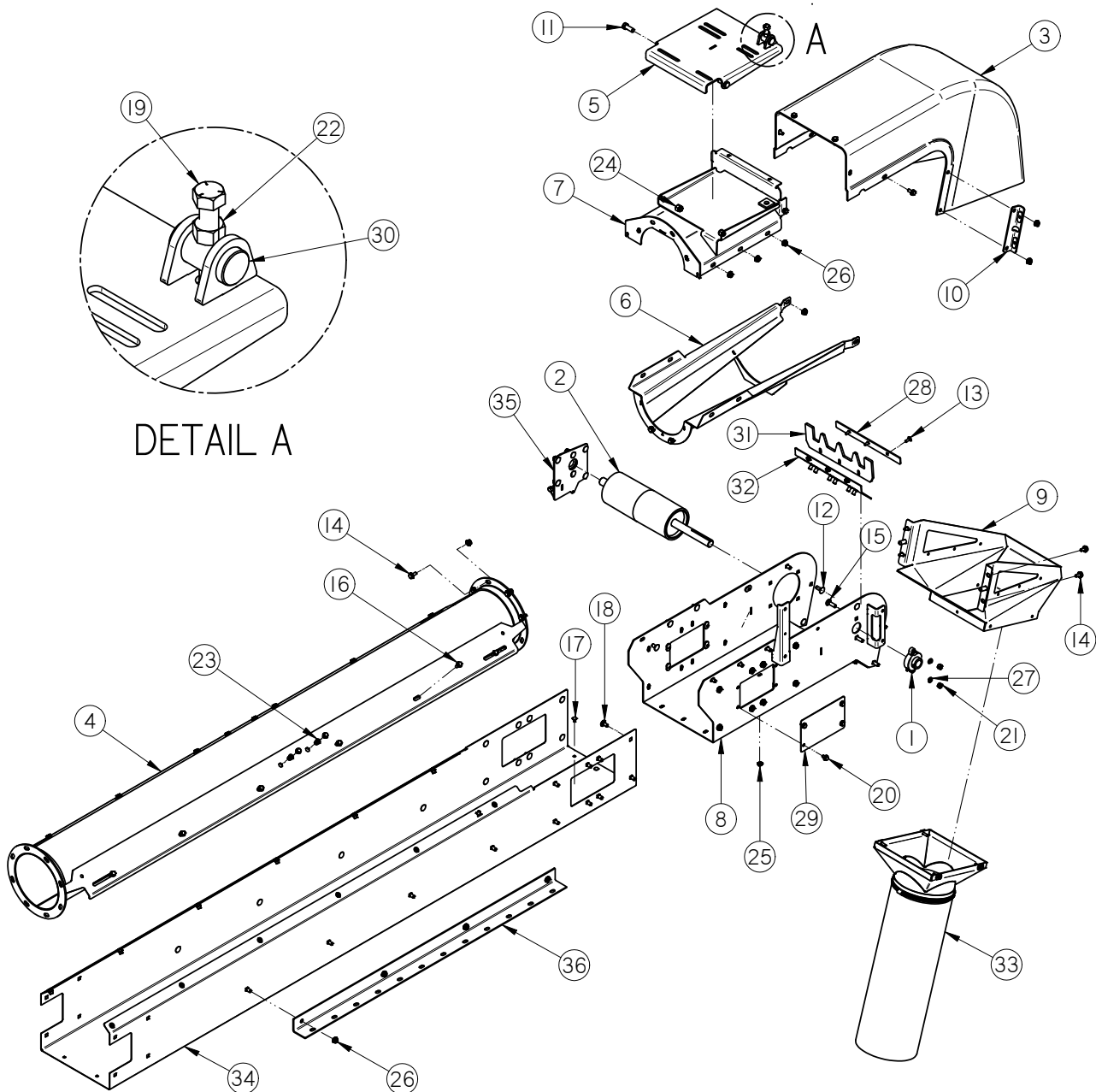
TUBE SERIES 2500 CONVEYOR

**TS2500 HEAD SECTION ASSEMBLY (13-08-0652)**

Item #	Part #	Description	Qty
1	01-03-0042	BRG FLG MNT 1.000ID 2BOLT ECNTRC	1
2	01-08-0109	PULLEY HEAD VULC TS2500	1
3	05-06-0131	COVER HD TS25 DD	1
4	05-08-0416	WDMT TUBE 8.00IN X 95.14IN	1
5	05-08-0549	WDMT MTR MNT PLT LG	1
6	05-08-0564	WDMT HD TRANS TS25	1
7	05-08-0565	WDMT HD CVR TS25	1
8	05-08-0566	WDMT DSCHG HD TS25	1
9	05-08-0567	WDMT DSCHG HD SPOUT TS25	1
10	05-08-0568	WDMT DSCHG HD MNT PLT	2
11	05-10-4028	TRANSPORT STOP PLT EXT MNT	2
12	06-01-0080	BOLT .500-13 X 1.25 ZP GR5	2
13	06-01-0115	BOLT CRG .375-16 X 1.00 ZP GR5	4
14	06-01-0122	BOLT, CARRIAGE, .250-20x.75 G5 ZP	3
15	06-01-0124	BOLT FLG .375-16 X .750 ZP GR5	10
16	06-01-0127	BOLT CRG .375-16 X 1.25 ZP GR5	2
17	06-01-0138	BOLT, FLG .3125-18 UNC ZP GRADE 5; 3/4" LG	18
18	06-01-0150	BOLT, CARRIAGE, .250-20x.50 G5 ZP	6
19	06-01-0153	BOLT CRG .375-16X.750 ZP SHORT NECK	42
20	06-01-0221	BOLT, .500-13 X 4.50 ZP GR5 FTH	1
21	06-01-0261	BOLT FLG .3125-18 X .500 ZP GR5	8
22	06-02-0003	NUT FULL .375-16 ZP GR5	2
23	06-02-0004	NUT FULL .500-13 ZP GR5	1
24	06-03-0004	NUT NYL LOCK .500-13 ZP GR5	2
25	06-03-0013	NUT,LOCK, FLG .250-20 ZP SERRATTED	9
26	06-03-0014	NUT LOCK FLG .375-16 ZP GR5	52
27	06-04-0003	WSHR LOCK SPLT .375 ZP	2
28	103B39	PLT SCRAPER HLDR 12IN CNVR	1
29	103B9A	PLT SPLICE COVER	2
30	10414A	PIN MTR PIVOT	1
31	104259	RBBR SCRAPER 12IN FILL	1
32	104C11	PLT BAFFLE MNT	1
33	13-05-0227	ASSY 8ID FLEX SPOUT S2000	1
34	13-05-0508	ASSY FRAME HD TS25 DD W/RIVETNUTS	1
35	13-08-0564	ASSY TRACKING PLT HD	1



**TS2512 HEAD SECTION ASSEMBLY (13-08-0659)**

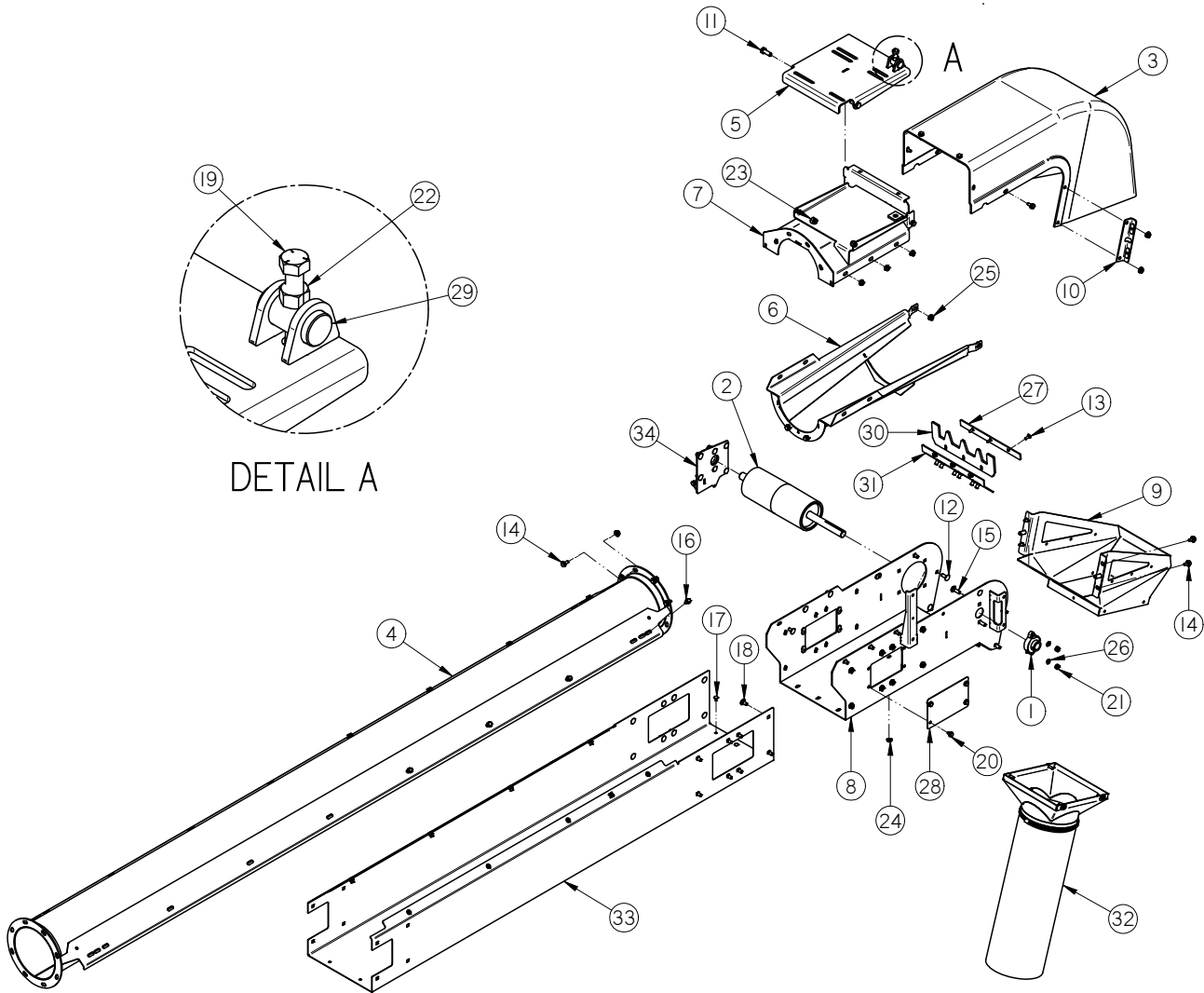


TUBE SERIES 2500 CONVEYOR  
**TS2512 HEAD SECTION ASSEMBLY (13-08-0659)**

Item #	Part #	Description	Qty
1	01-03-0042	BRG FLG MNT 1.000ID 2BOLT ECNTRC	1
2	01-08-0109	PULLEY HEAD VULC TS2500	1
3	05-06-0131	COVER HD TS25 DD	1
4	05-08-0461	WDMT TUBE 8.00IN X 84.86IN	1
5	05-08-0549	WDMT MTR MNT PLT LG	1
6	05-08-0564	WDMT HD TRANS TS25	1
7	05-08-0565	WDMT HD CVR TS25	1
8	05-08-0566	WDMT DSCHG HD TS25	1
9	05-08-0567	WDMT DSCHG HD SPOUT TS25	1
10	05-08-0568	WDMT DSCHG HD MNT PLT	2
11	06-01-0080	BOLT .500-13 X 1.25 ZP GR5	2
12	06-01-0115	BOLT CRG .375-16 X 1.00 ZP GR5	4
13	06-01-0122	BOLT, CARRIAGE, .250-20x.75 G5 ZP	3
14	06-01-0124	BOLT FLG .375-16 X .750 ZP GR5	10
15	06-01-0127	BOLT CRG .375-16 X 1.25 ZP GR5	2
16	06-01-0138	BOLT, FLG .3125-18 UNC ZP GRADE 5; 3/4" LG	18
17	06-01-0150	BOLT, CARRIAGE, .250-20x.50 G5 ZP	6
18	06-01-0153	BOLT CRG .375-16X.750 ZP SHORT NECK	38
19	06-01-0221	BOLT, .500-13 X 4.50 ZP GR5 FTH	1
20	06-01-0261	BOLT FLG .3125-18 X .500 ZP GR5	12
21	06-02-0003	NUT FULL .375-16 ZP GR5	2
22	06-02-0004	NUT FULL .500-13 ZP GR5	1
23	06-02-0092	RIVETNUT .312-18 ZP	4
24	06-03-0004	NUT NYL LOCK .500-13 ZP GR5	2
25	06-03-0013	NUT,LOCK, FLG .250-20 ZP SERRATED	9
26	06-03-0014	NUT LOCK FLG .375-16 ZP GR5	48
27	06-04-0003	WSHR LOCK SPLT .375 ZP	2
28	103B39	PLT SCRAPER HLDR 12IN CNVR	1
29	103B9A	PLT SPLICE COVER	2
30	10414A	PIN MTR PIVOT	1
31	104259	RBBR SCRAPER 12IN FILL	1
32	104C11	PLT BAFFLE MNT	1
33	13-05-0227	ASSY 8ID FLEX SPOUT S2000	1
34	13-05-0527	ASSY FRAME HD TS25 DD W/RIVETNUTS	1
35	13-08-0564	ASSY TRACKING PLT HD	1
36	280-3-0057	TRANSPORT STOP PLATE	2



**TS2515 HEAD SECTION ASSEMBLY (13-08-0660)**





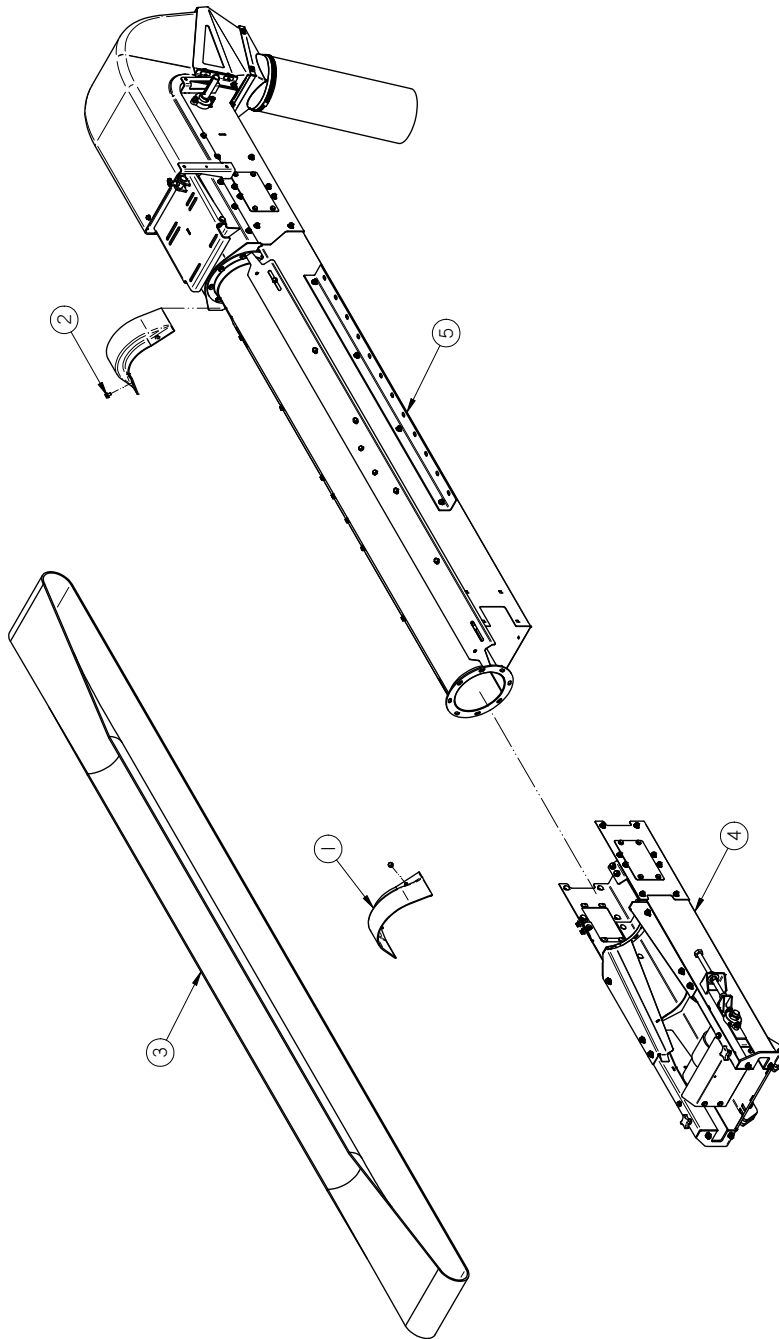
TUBE SERIES 2500 CONVEYOR

**TS2515 HEAD SECTION ASSEMBLY (13-08-0660)**

Item #	Part #	Description	Qty
1	01-03-0042	BRG FLG MNT 1.000ID 2BOLT ECNTRC	1
2	01-08-0109	PULLEY HEAD VULC TS2500	1
3	05-06-0131	COVER HD TS25 DD	1
4	05-08-0415	WDMT TUBE 8.00IN X 120IN	1
5	05-08-0549	WDMT MTR MNT PLT LG	1
6	05-08-0564	WDMT HD TRANS TS25	1
7	05-08-0565	WDMT HD CVR TS25	1
8	05-08-0566	WDMT DSCHG HD TS25	1
9	05-08-0567	WDMT DSCHG HD SPOUT TS25	1
10	05-08-0568	WDMT DSCHG HD MNT PLT	2
11	06-01-0080	BOLT .500-13 X 1.25 ZP GR5	2
12	06-01-0115	BOLT CRG .375-16 X 1.00 ZP GR5	4
13	06-01-0122	BOLT, CARRIAGE, .250-20x.75 G5 ZP	3
14	06-01-0124	BOLT FLG .375-16 X .750 ZP GR5	10
15	06-01-0127	BOLT CRG .375-16 X 1.25 ZP GR5	2
16	06-01-0138	BOLT, FLG .3125-18 UNC ZP GRADE 5; 3/4" LG	14
17	06-01-0150	BOLT, CARRIAGE, .250-20x.50 G5 ZP	6
18	06-01-0153	BOLT CRG .375-16X.750 ZP SHORT NECK	30
19	06-01-0221	BOLT, .500-13 X 4.50 ZP GR5 FTH	1
20	06-01-0261	BOLT FLG .3125-18 X .500 ZP GR5	8
21	06-02-0003	NUT FULL .375-16 ZP GR5	2
22	06-02-0004	NUT FULL .500-13 ZP GR5	1
23	06-03-0004	NUT NYL LOCK .500-13 ZP GR5	2
24	06-03-0013	NUT,LOCK, FLG .250-20 ZP SERRATTED	9
25	06-03-0014	NUT LOCK FLG .375-16 ZP GR5	40
26	06-04-0003	WSHR LOCK SPLT .375 ZP	2
27	103B39	PLT SCRAPER HLDR 12IN CNVR	1
28	103B9A	PLT SPLICE COVER	2
29	10414A	PIN MTR PIVOT	1
30	104259	RBBR SCRAPER 12IN FILL	1
31	104C11	PLT BAFFLE MNT	1
32	13-05-0227	ASSY 8ID FLEX SPOUT S2000	1
33	13-05-0528	ASSY FRAME HD TS25 DD W/RIVETNUTS	1
34	13-08-0564	ASSY TRACKING PLT HD	1

TUBE SERIES 2500 CONVEYOR

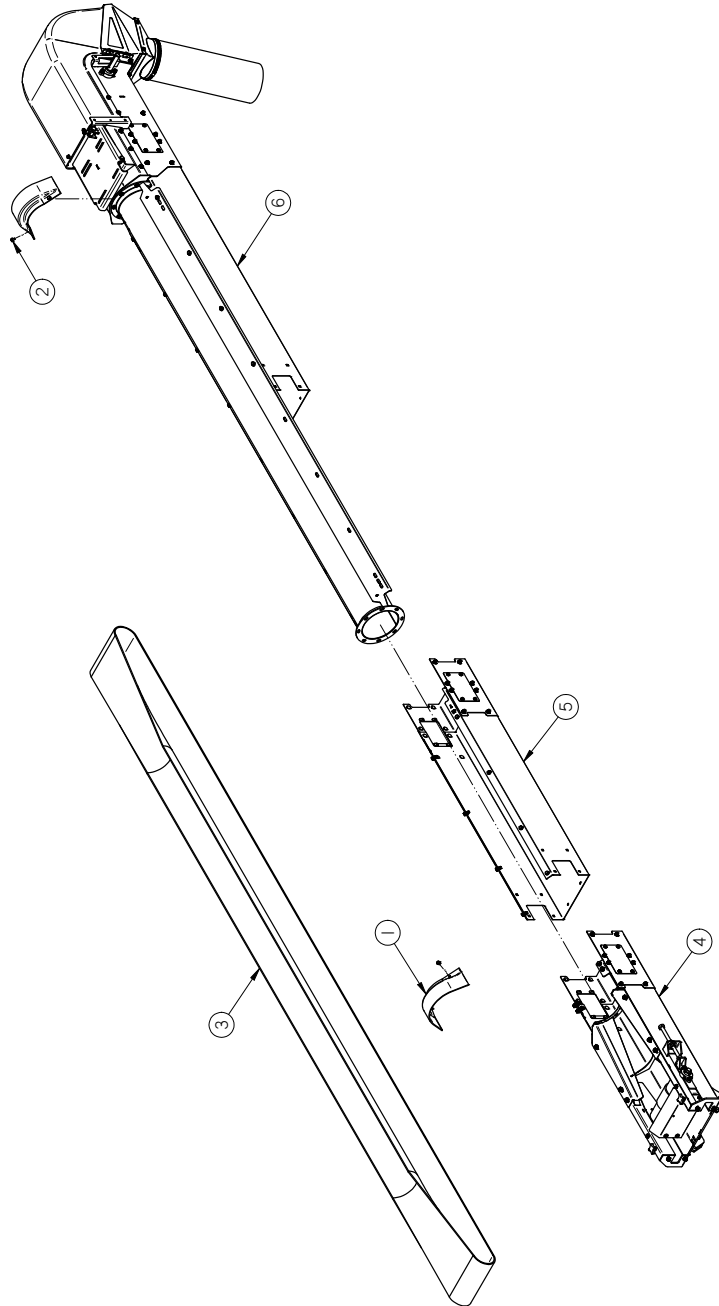
**BASE CONVEYOR ASSEMBLY - 12 FT (13-08-0550)**



Item #	Part #	Description	Qty
1	05-06-0112	CVR SPLICE INLET RND CNVR 8IN	2
2	06-01-0261	BOLT FLG .3125-18 X .500 ZP GR5	4
3	11-02-0133	BELT CNVR CLTS TS1212	1
4	13-08-0532	ASSY INLET SECT TS25	1
5	13-08-0659	ASSY HEAD SECT DD TS2512	1

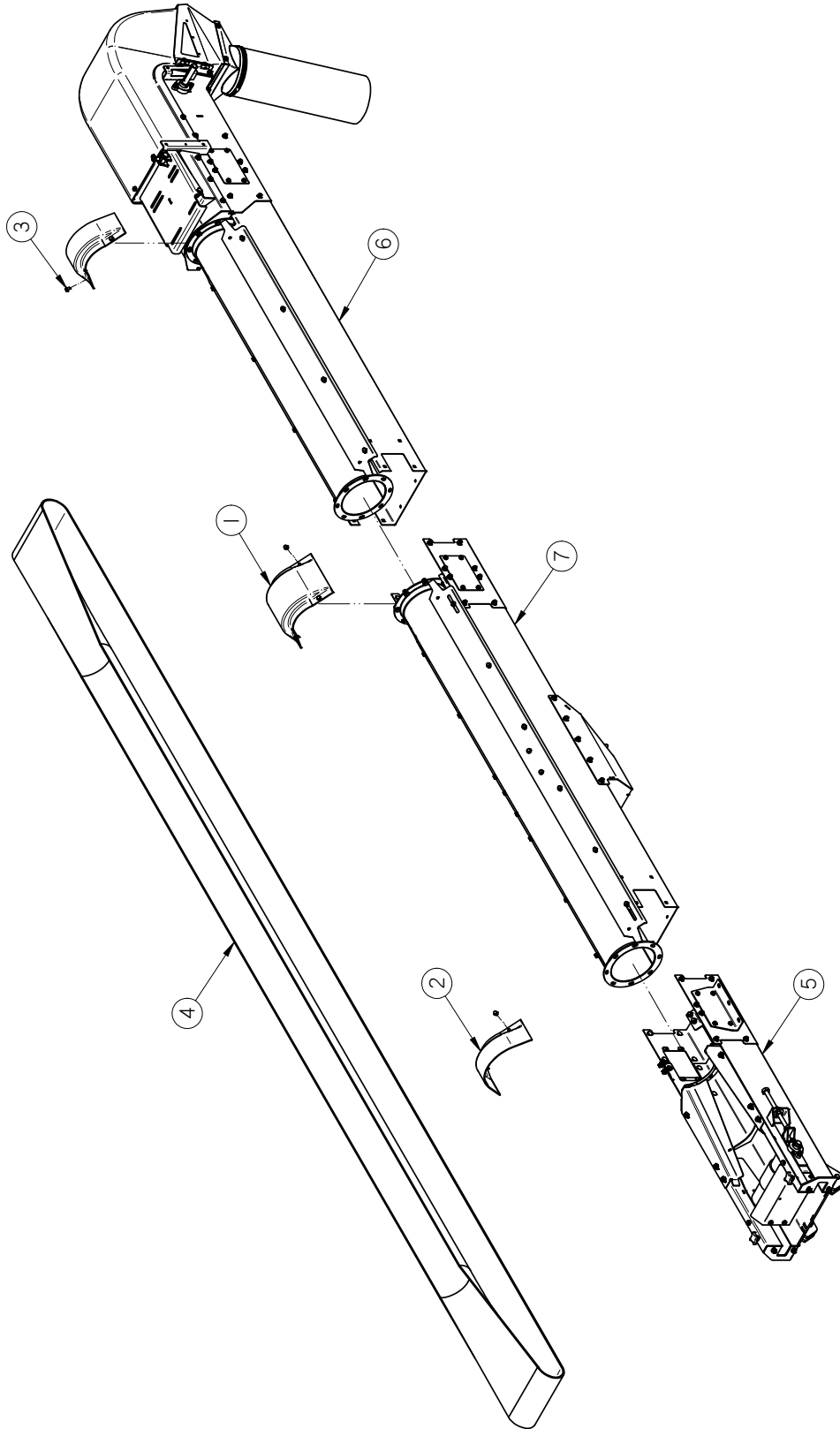
TUBE SERIES 2500 CONVEYOR

**BASE CONVEYOR ASSEMBLY - 15 FT (13-08-0551)**



Item #	Part #	Description	Qty
1	05-06-0112	CVR SPLICE INLET RND CNVR 8IN	2
2	06-01-0261	BOLT FLG .3125-18 X .500 ZP GR5	4
3	11-02-0135	BELT CNVR CLTS TS1215	1
4	13-08-0532	ASSY INLET SECT TS25	1
5	13-08-0548	ASSY INLET EXT TS2515	1
6	13-08-0660	ASSY HEAD SECT TS2515 DD	1

**BASE CONVEYOR ASSEMBLY - 17 FT (13-08-0552)**

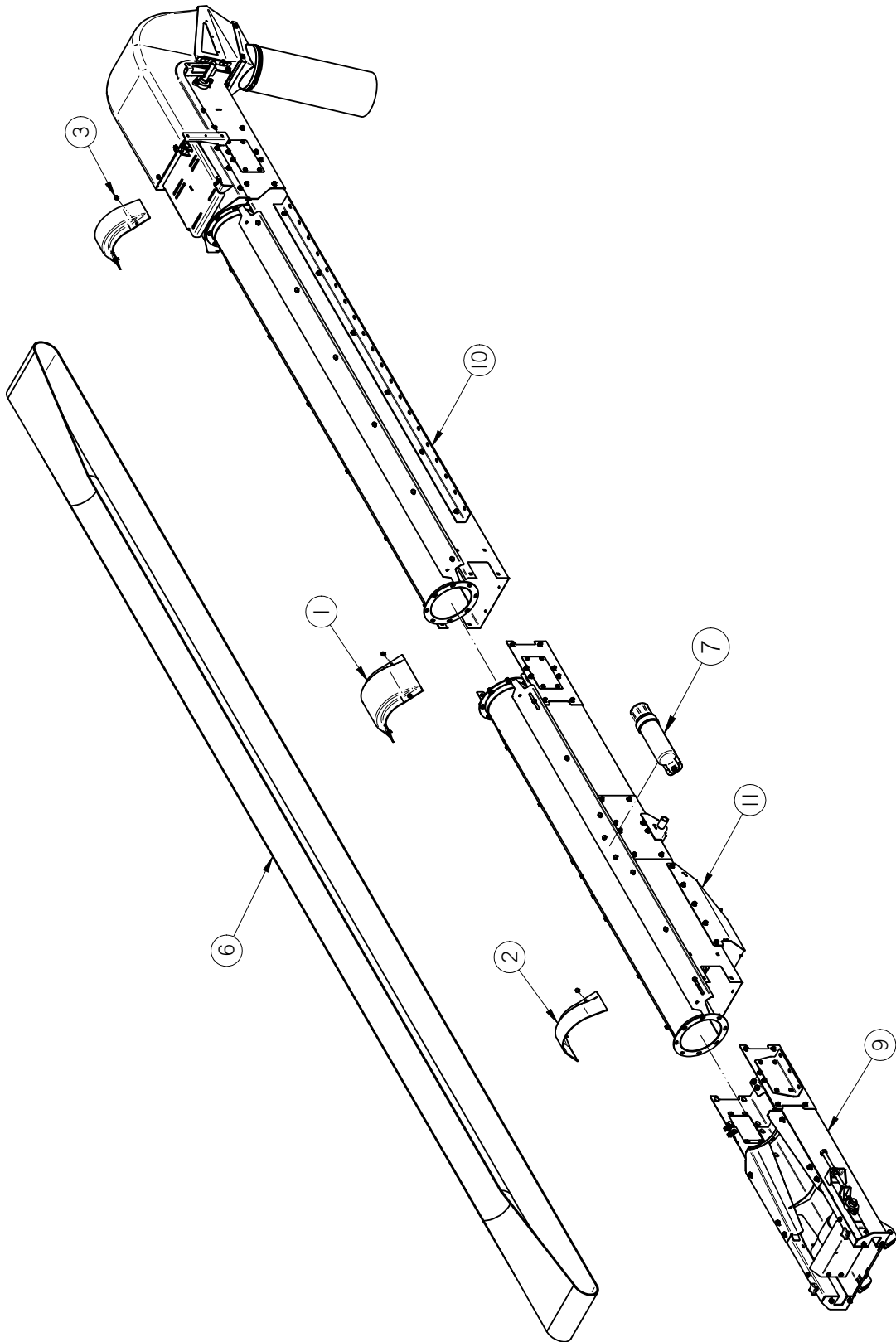


TUBE SERIES 2500 CONVEYOR

**BASE CONVEYOR ASSEMBLY - 17 FT (13-08-0552)**

Item #	Part #	Description	Qty
1	05-06-0111	CVR SPLICE RND CNVR 8IN	1
2	05-06-0112	CVR SPLICE INLET RND CNVR 8IN	2
3	06-01-0261	BOLT FLG .3125-18 X .500 ZP GR5	8
4	11-02-0136	BELT CNVR CLTS TS1217	1
5	13-08-0532	ASSY INLET SECT TS25	1
6	13-08-0662	ASSY HEAD SECT DD TS2532	1
7	13-08-0668	ASSY INLET EXT CLEAN OUT	1

**BASE CONVEYOR ASSEMBLY - 20 FT (13-08-0464)**



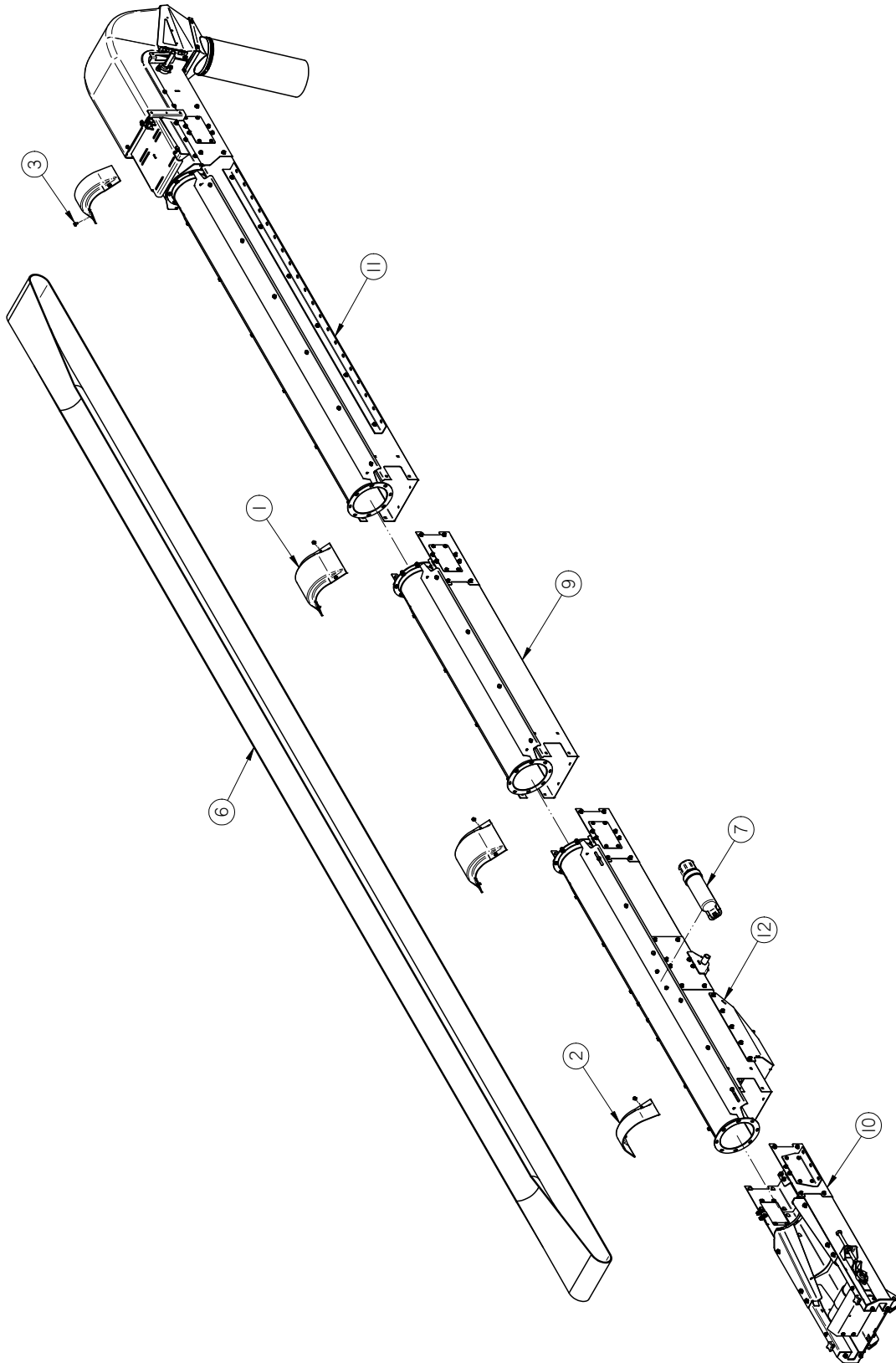
TUBE SERIES 2500 CONVEYOR

**BASE CONVEYOR ASSEMBLY - 20 FT (13-08-0464)**

Item #	Part #	Description	Qty
1	05-06-0111	CVR SPLICE RND CNVR 8IN	1
2	05-06-0112	CVR SPLICE INLET RND CNVR 8IN	2
3	06-01-0261	BOLT FLG .3125-18 X .500 ZP GR5	8
4	09-01-0178	LBL ATWK TS2520	2
5	09-02-0016	LBL ATWRK ATT BELT ALIGN	1
6	11-02-0139	BELT CNVR CLTS TS3520	1
7	13-05-0332	ASSY MANUAL TUBE MT	1
8	13-05-0353	DECAL PKG TS CNVRS	1
9	13-08-0532	ASSY INLET SECT TS25	1
10	13-08-0652	ASSY HEAD SECT TS25 DD	1
11	13-08-0674	ASSY INLET CLN/OUT TS25	1

NOTE: ITEM NUMBERS 4, 5 AND 8 ARE LABELS THAT ARE NOT SHOWN IN THE DRAWING VIEW.

**BASE CONVEYOR ASSEMBLY - 25 FT (13-08-0465)**





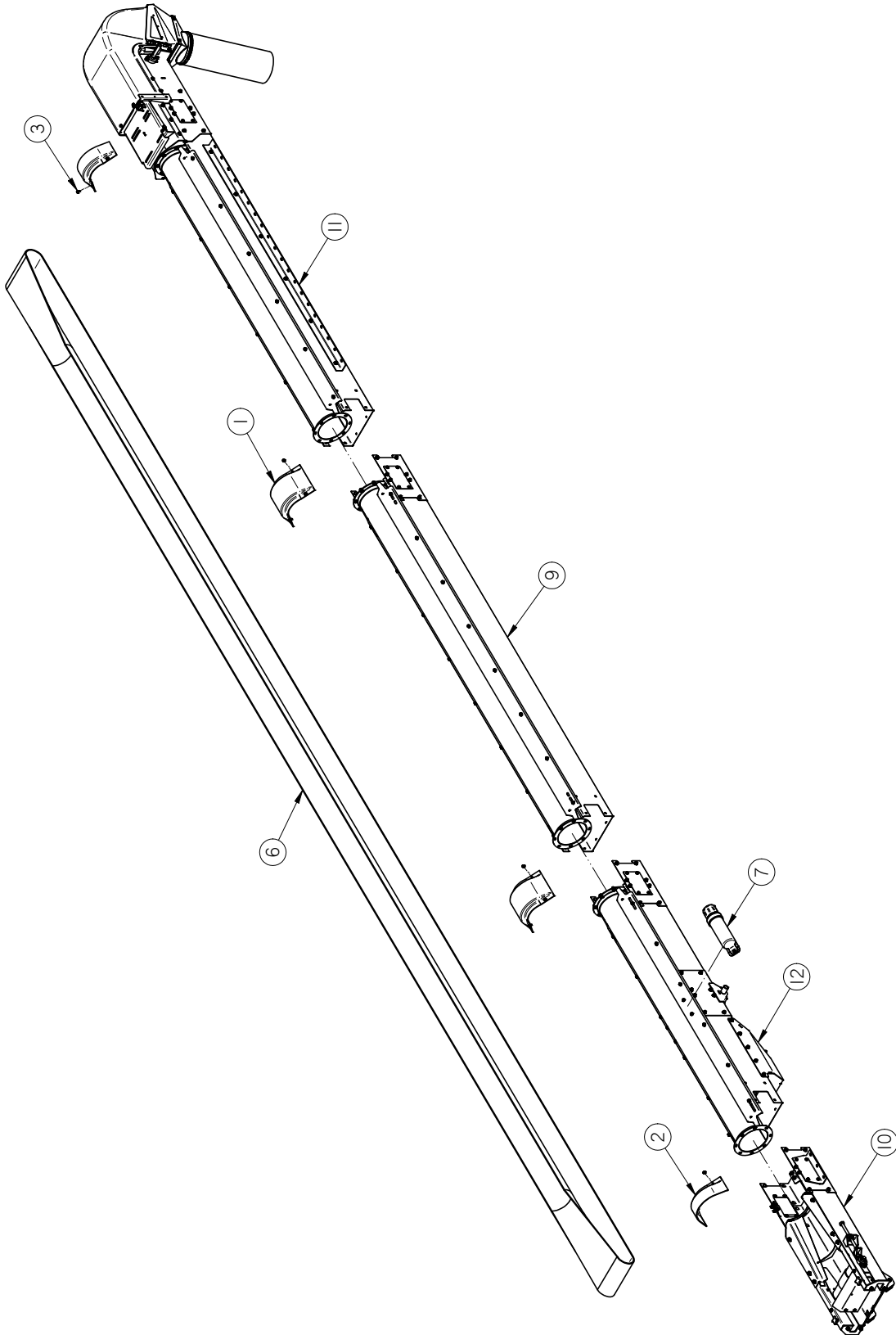
TUBE SERIES 2500 CONVEYOR

**BASE CONVEYOR ASSEMBLY - 25 FT (13-08-0465)**

Item #	Part #	Description	Qty
1	05-06-0111	CVR SPLICE RND CNVR 8IN	2
2	05-06-0112	CVR SPLICE INLET RND CNVR 8IN	2
3	06-01-0261	BOLT FLG .3125-18 X .500 ZP GR5	12
4	09-01-0179	LBL ATWK TS2525	2
5	09-02-0016	LBL ATWRK ATT BELT ALIGN	1
6	11-02-0140	BELT CNVR CLTS TS3525	1
7	13-05-0332	ASSY MANUAL TUBE MT	1
8	13-05-0353	DECAL PKG TS CNVRS	1
9	13-08-0506	ASSY CNVR 12IN 5FT MID SECT	1
10	13-08-0532	ASSY INLET SECT TS25	1
11	13-08-0652	ASSY HEAD SECT TS25 DD	1
12	13-08-0674	ASSY INLET CLN/OUT TS25	1

NOTE: ITEM NUMBERS 4, 5 AND 8 ARE LABELS THAT ARE NOT SHOWN IN THE DRAWING VIEW.

**BASE CONVEYOR ASSEMBLY - 30 FT (13-08-0466)**



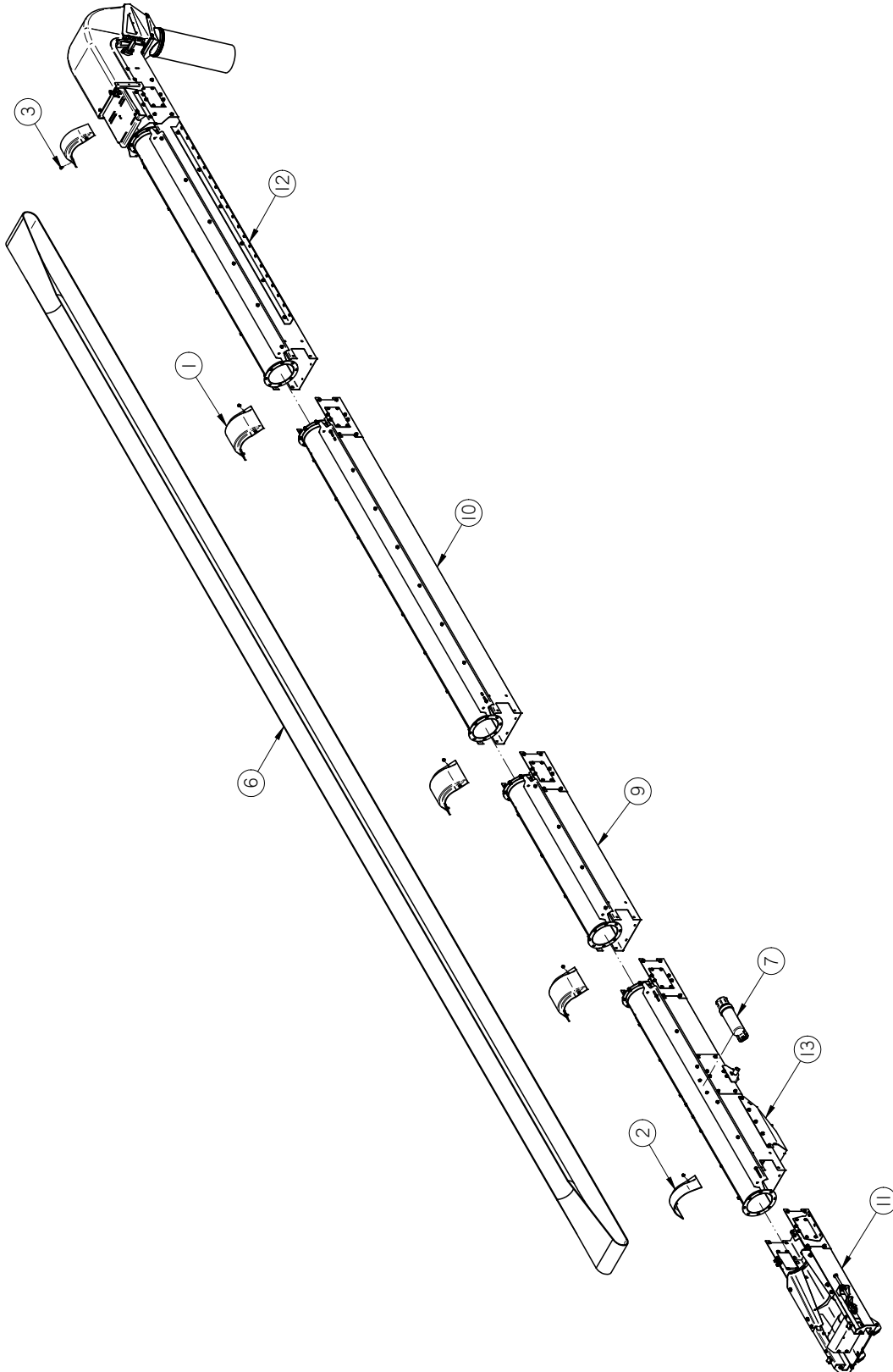
TUBE SERIES 2500 CONVEYOR

**BASE CONVEYOR ASSEMBLY - 30 FT (13-08-0466)**

Item #	Part #	Description	Qty
1	05-06-0111	CVR SPLICE RND CNVR 8IN	2
2	05-06-0112	CVR SPLICE INLET RND CNVR 8IN	2
3	06-01-0261	BOLT FLG .3125-18 X .500 ZP GR5	12
4	09-01-0180	LBL ATWK TS2530	2
5	09-02-0016	LBL ATWRK ATT BELT ALIGN	1
6	11-02-0141	BELT CNVR CLTS TS3530	1
7	13-05-0332	ASSY MANUAL TUBE MT	1
8	13-05-0353	DECAL PKG TS CNVRS	1
9	13-08-0507	ASSY CNVR 12IN 10FT MID SECT	1
10	13-08-0532	ASSY INLET SECT TS25	1
11	13-08-0652	ASSY HEAD SECT TS25 DD	1
12	13-08-0674	ASSY INLET CLN/OUT TS25	1

NOTE: ITEM NUMBERS 4, 5 AND 8 ARE LABELS THAT ARE NOT SHOWN IN THE DRAWING VIEW.

**BASE CONVEYOR ASSEMBLY - 35 FT (13-08-0467)**



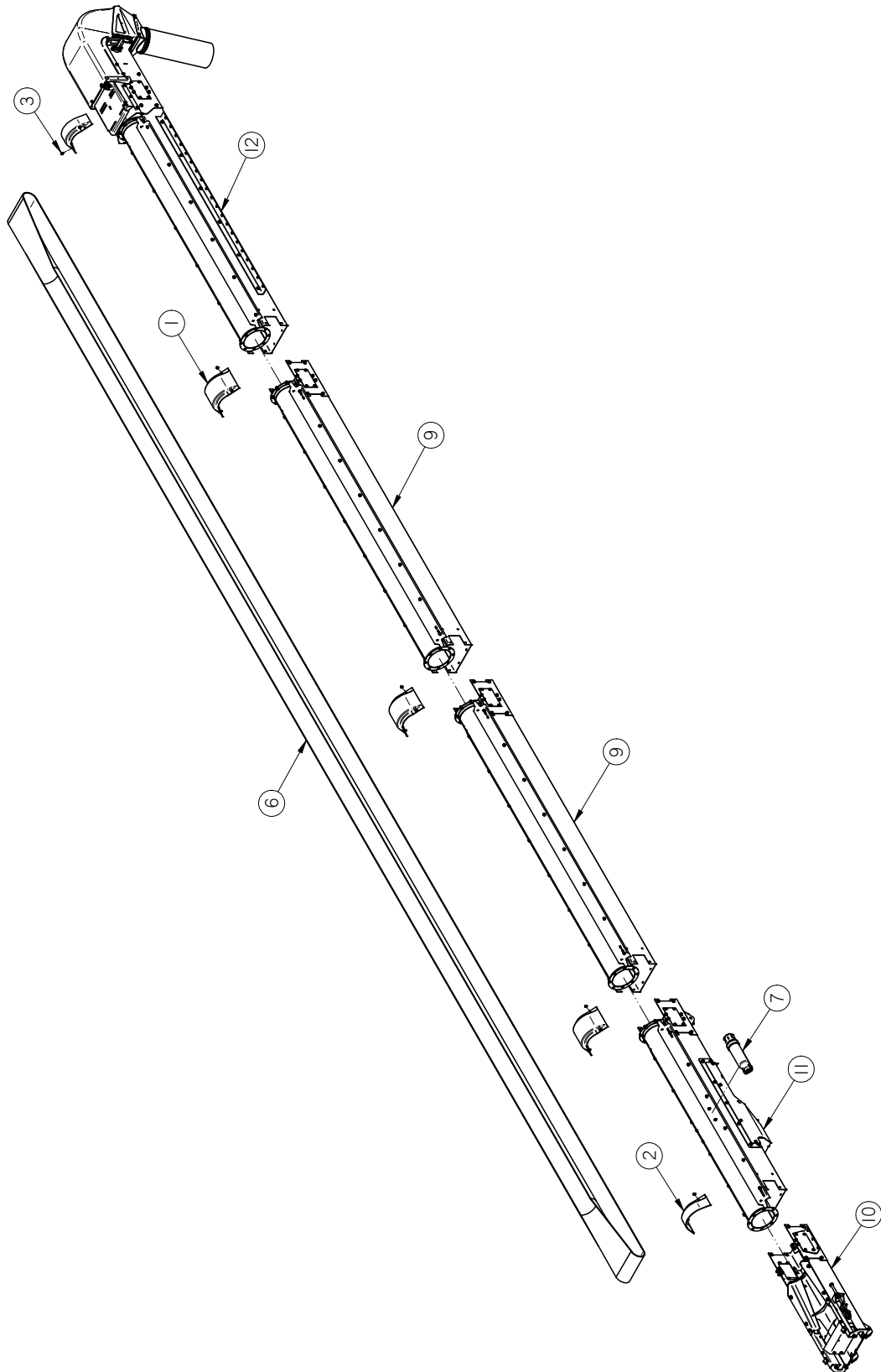
TUBE SERIES 2500 CONVEYOR

**BASE CONVEYOR ASSEMBLY - 35 FT (13-08-0467)**

Item #	Part #	Description	Qty
1	05-06-0111	CVR SPLICE RND CNVR 8IN	3
2	05-06-0112	CVR SPLICE INLET RND CNVR 8IN	2
3	06-01-0261	BOLT FLG .3125-18 X .500 ZP GR5	16
4	09-01-0181	LBL ATWK TS2535	2
5	09-02-0016	LBL ATWRK ATT BELT ALIGN	1
6	11-02-0142	BELT CNVR CLTS TS3512	1
7	13-05-0332	ASSY MANUAL TUBE MT	1
8	13-05-0353	DECAL PKG TS CNVRS	1
9	13-08-0506	ASSY CNVR 12IN 5FT MID SECT	1
10	13-08-0507	ASSY CNVR 12IN 10FT MID SECT	1
11	13-08-0532	ASSY INLET SECT TS25	1
12	13-08-0652	ASSY HEAD SECT TS25 DD	1
13	13-08-0674	ASSY INLET CLN/OUT TS25	1

NOTE: ITEM NUMBERS 4, 5 AND 8 ARE LABELS THAT ARE NOT SHOWN IN THE DRAWING VIEW.

**BASE CONVEYOR ASSEMBLY - 40FT (13-08-0468)**



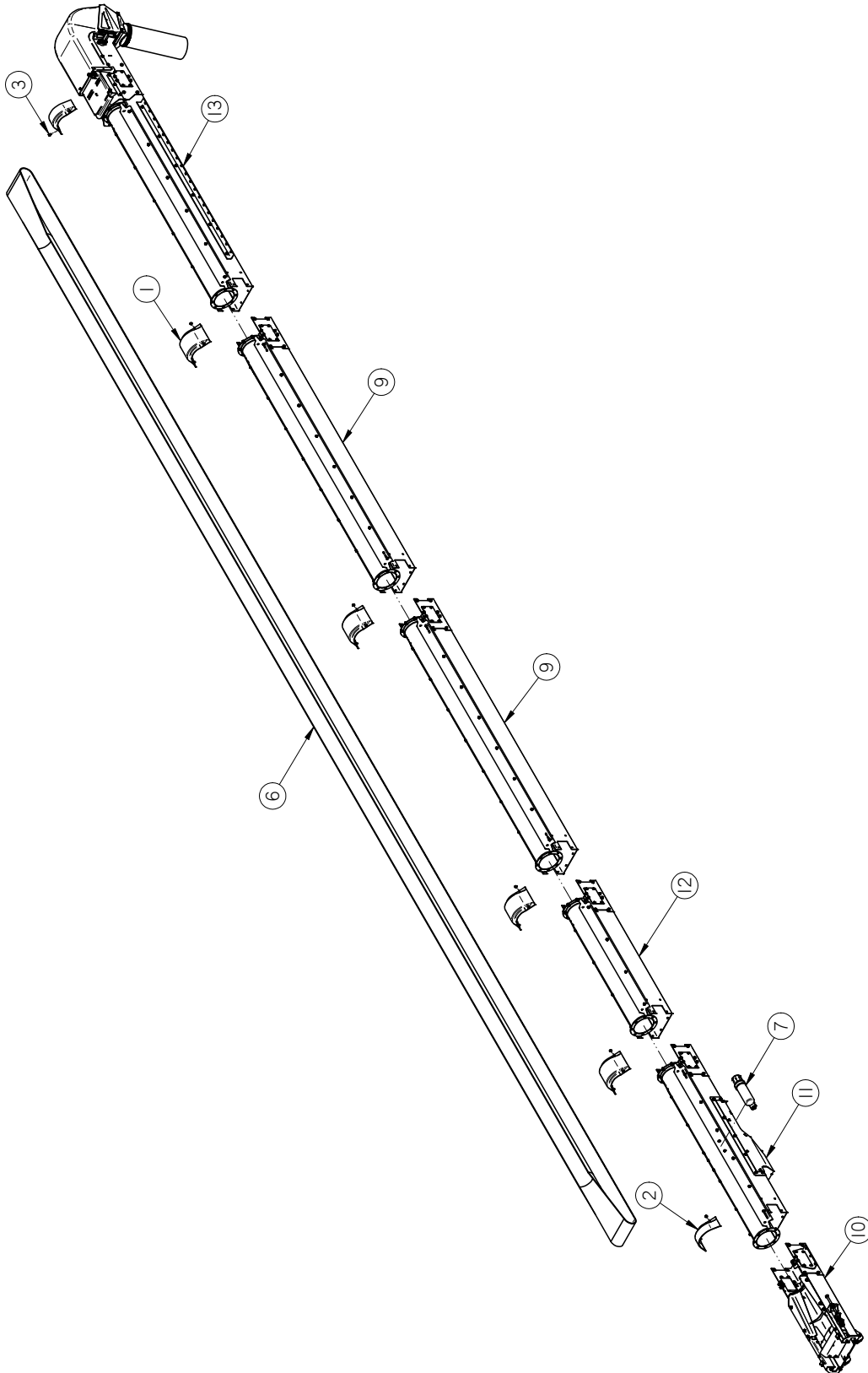
TUBE SERIES 2500 CONVEYOR

**BASE CONVEYOR ASSEMBLY - 40FT (13-08-0468)**

Item #	Part #	Description	Qty
1	05-06-0111	CVR SPLICE RND CNVR 8IN	3
2	05-06-0112	CVR SPLICE INLET RND CNVR 8IN	2
3	06-01-0261	BOLT FLG .3125-18 X .500 ZP GR5	16
4	09-01-0182	LBL ATWK TS2540	2
5	09-02-0016	LBL ATWRK ATT BELT ALIGN	1
6	11-02-0143	BELT CNVR CLTS TS3540	1
7	13-05-0332	ASSY MANUAL TUBE MT	1
8	13-05-0353	DECAL PKG TS CNVRS	1
9	13-08-0507	ASSY CNVR 12IN 10FT MID SECT	2
10	13-08-0532	ASSY INLET SECT TS25	1
11	13-08-0538	ASSY INLET TS25 CLN OUT/ACCESS	1
12	13-08-0652	ASSY HEAD SECT TS25 DD	1

NOTE: ITEM NUMBERS 4, 5 AND 8 ARE LABELS THAT ARE NOT SHOWN IN THE DRAWING VIEW.

**BASE CONVEYOR ASSEMBLY - 45 FT (13-08-0469)**





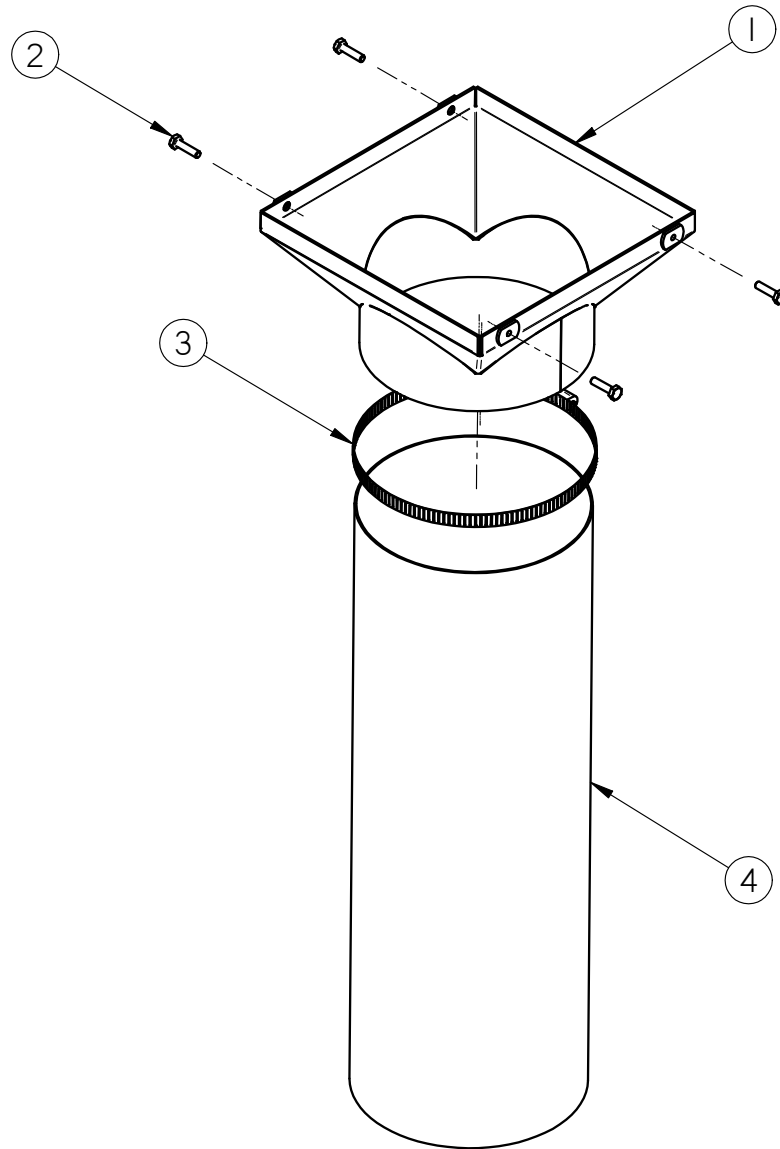
TUBE SERIES 2500 CONVEYOR

**BASE CONVEYOR ASSEMBLY - 45 FT (13-08-0469)**

Item #	Part #	Description	Qty
1	05-06-0111	CVR SPLICE RND CNVR 8IN	4
2	05-06-0112	CVR SPLICE INLET RND CNVR 8IN	2
3	06-01-0261	BOLT FLG .3125-18 X .500 ZP GR5	20
4	09-01-0183	LBL ATWK TS2545	2
5	09-02-0016	LBL ATWRK ATT BELT ALIGN	1
6	11-02-0144	BELT CNVR CLTS TS3545	1
7	13-05-0332	ASSY MANUAL TUBE MT	1
8	13-05-0353	DECAL PKG TS CNVRS	1
9	13-08-0507	ASSY CNVR 12IN 10FT MID SECT	2
10	13-08-0532	ASSY INLET SECT TS25	1
11	13-08-0541	ASSY INLET TS25 CLN OUT/ACCESS	1
12	13-08-0572	ASSY CNVR 12IN 5FT MNT SECT	1
13	13-08-0652	ASSY HEAD SECT TS25 DD	1

NOTE: ITEM NUMBERS 4, 5 AND 8 ARE LABELS THAT ARE NOT SHOWN IN THE DRAWING VIEW.

**8 INCH ID FLEX SPOUT ASSEMBLY (13-05-0227)**



Item #	Part #	Description	Qty
1	05-03-1118	DISCHARGE SPOUT WDMT	1
2	06-01-0007	BOLT, .250-20 X 1 UNC ZP GRADE 5	4
3	06-07-0024	CLMP HOSE 7.125 TO 10 X 9/16 SS	1
4	102248	CNVR DSCHG SPOUT EXT 8ID	1

# LIMITED WARRANTY

## SECTION J

USC, LLC, (Manufacturer) warrants its seed treating equipment as follows:

1. **Limited Warranty:** Manufacturer warrants that the Products sold hereunder will be free from defects in material and workmanship for a period of 18 months from date of shipment. If the Products do not conform to this Limited Warranty during the warranty period, Buyer shall notify Manufacturer in writing of the claimed defects and demonstrate to Manufacturer satisfaction that said defects are covered by this Limited Warranty. If the defects are properly reported to Manufacturer within the warranty period, and the defects are of such type and nature as to be covered by this warranty, Manufacturer shall, at its expense, furnish replacement Products or, at Manufacturer's option, replacement parts for the defective products. Shipping and installation of the replacement Products or replacement parts shall be at the Buyer's expense.

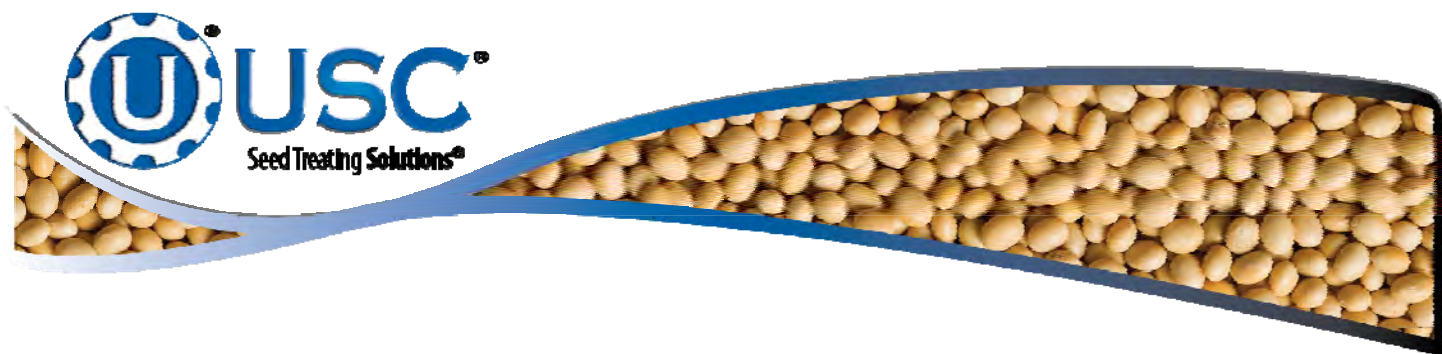
2. **Other Limits:** THE FOREGOING IS IN LIEU OF ALL OTHER WARRANTIES, EXPRESSED OR IMPLIED, INCLUDING BUT NOT LIMITED TO THE IMPLIED WARRANTIES OF MERCHANTABILITY AND FITNESS FOR A PARTICULAR PURPOSE. Manufacturer does not warrant against damages or defects arising from improper installation (where installation is by persons other than Manufacturer), against defects in products or components not manufactured by Manufacturer, or against damages resulting from such non-Manufacturer made products or components. Manufacturer passes on to the Buyer the warranty it received (if any) from the maker of such non-Manufacturer made products or components. This warranty also does not apply to Products upon which repairs and / or modifications have been effected or attempted by persons other than pursuant to written authorization by Manufacturer. This includes any welding on equipment which could damage electrical components. Manufacturer does not warrant against casualties or damages resulting from misuse and / or abuse of Products, improper storage or handling, acts of nature, effects of weather, including effects of weather due to outside storage, accidents, or damages incurred during transportation by common carrier.

3. **Exclusive Obligation:** THIS WARRANTY IS EXCLUSIVE. The sole and exclusive obligation of Manufacturer shall be to repair or replace the defective Products in the manner and for the period provided above. Manufacturer shall not have any other obligation with respect to the Products or any part thereof, whether based on contract, tort, strict liability or otherwise. Under no circumstances, whether based on this Limited Warranty or otherwise, shall Manufacturer be liable for lost profits, lost revenue, lost sales (whether direct or indirect damages), incidental, special, punitive, indirect or consequential damages.

4. **Other Statements:** Manufacturer's employees or representatives' oral or other written statements do not constitute warranties, shall not be relied upon by Buyer, and are not a part of the contract for sale or this limited warranty.

5. **Return Policy:** Approval is required prior to returning goods to Manufacturer. A restocking fee will apply.

6. **Entire Obligation:** This Limited Warranty states the entire obligation of Manufacturer with respect to the Products. If any part of this Limited Warranty is determined to be void or illegal, the remainder shall remain in full force and effect.



**USC, LLC**

2320 124th road

Sabetha, KS 66534

PHONE: (785) 431-7900

FAX: (785) 431-7950

EMAIL: [sales-team@uscllc.com](mailto:sales-team@uscllc.com)

WEB: [www.uscllc.com](http://www.uscllc.com)

